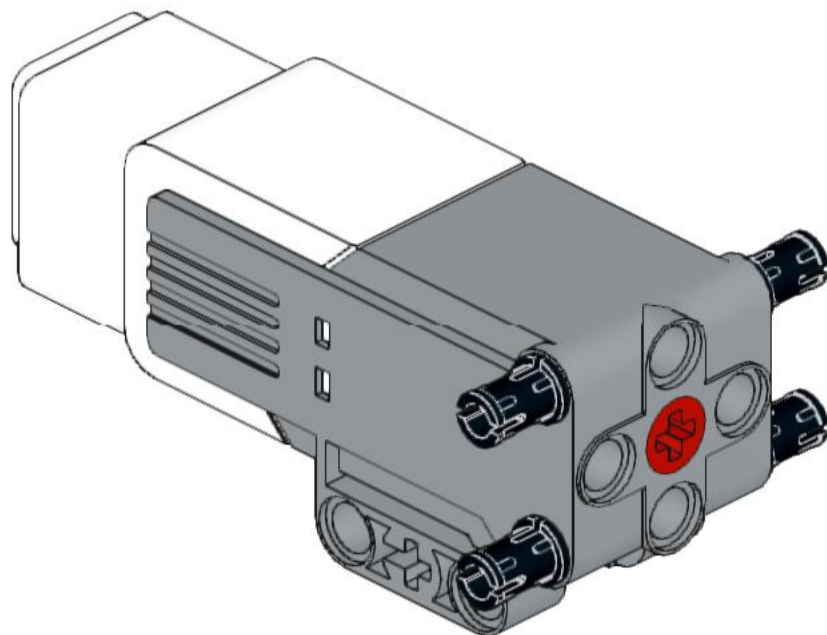
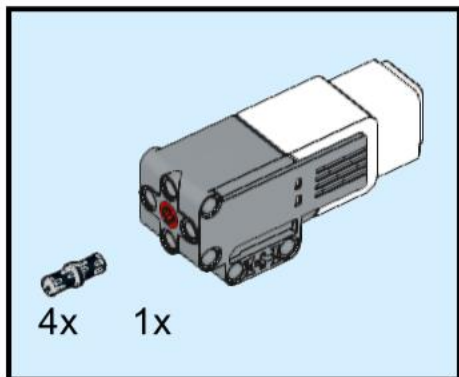
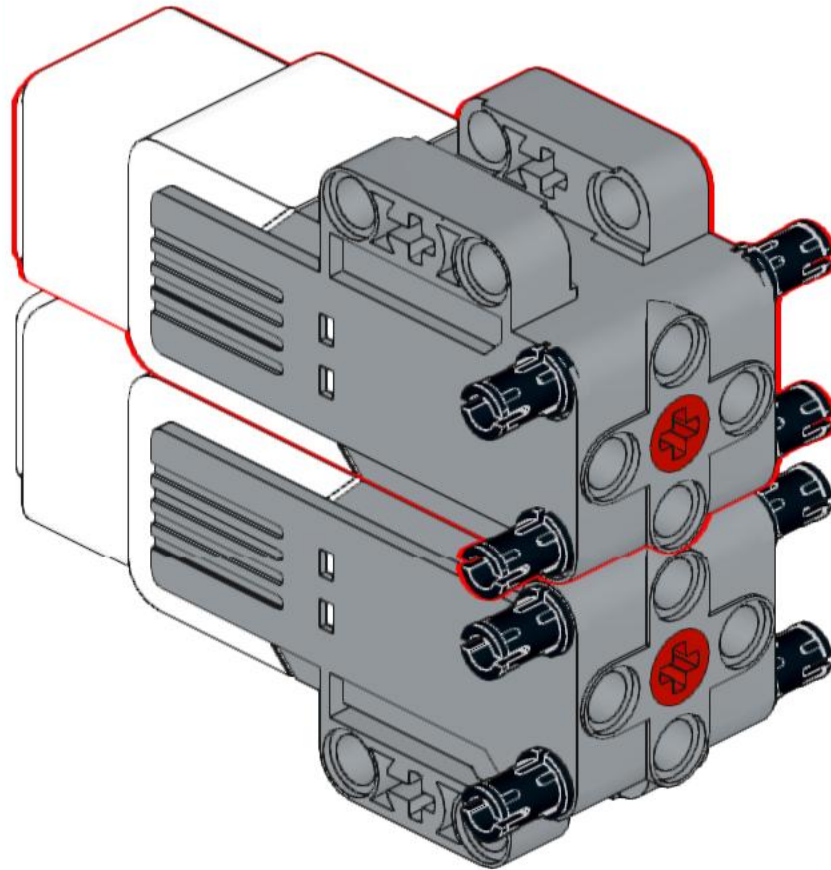
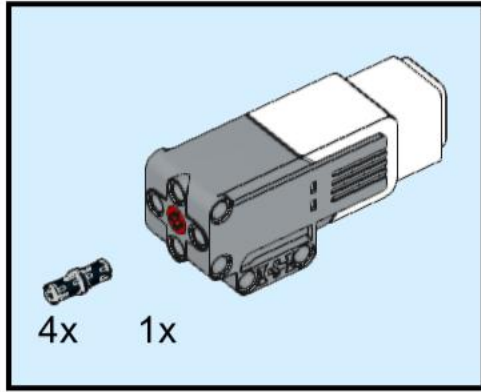


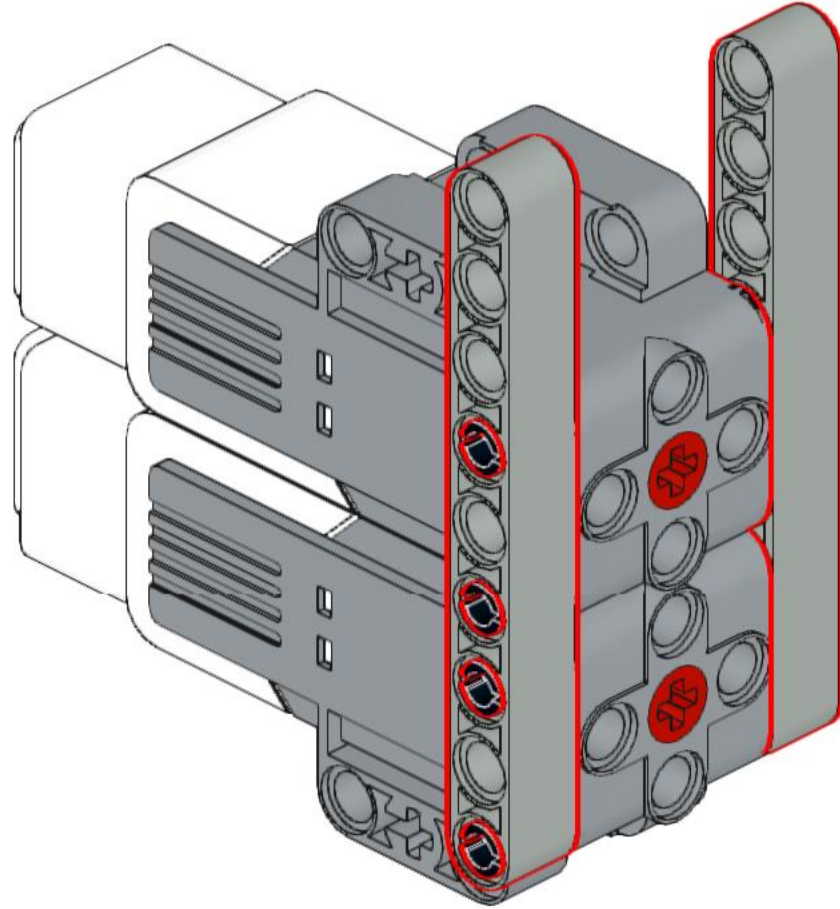
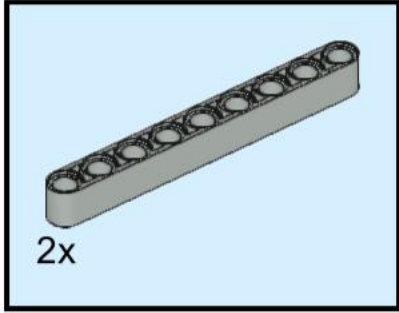
1



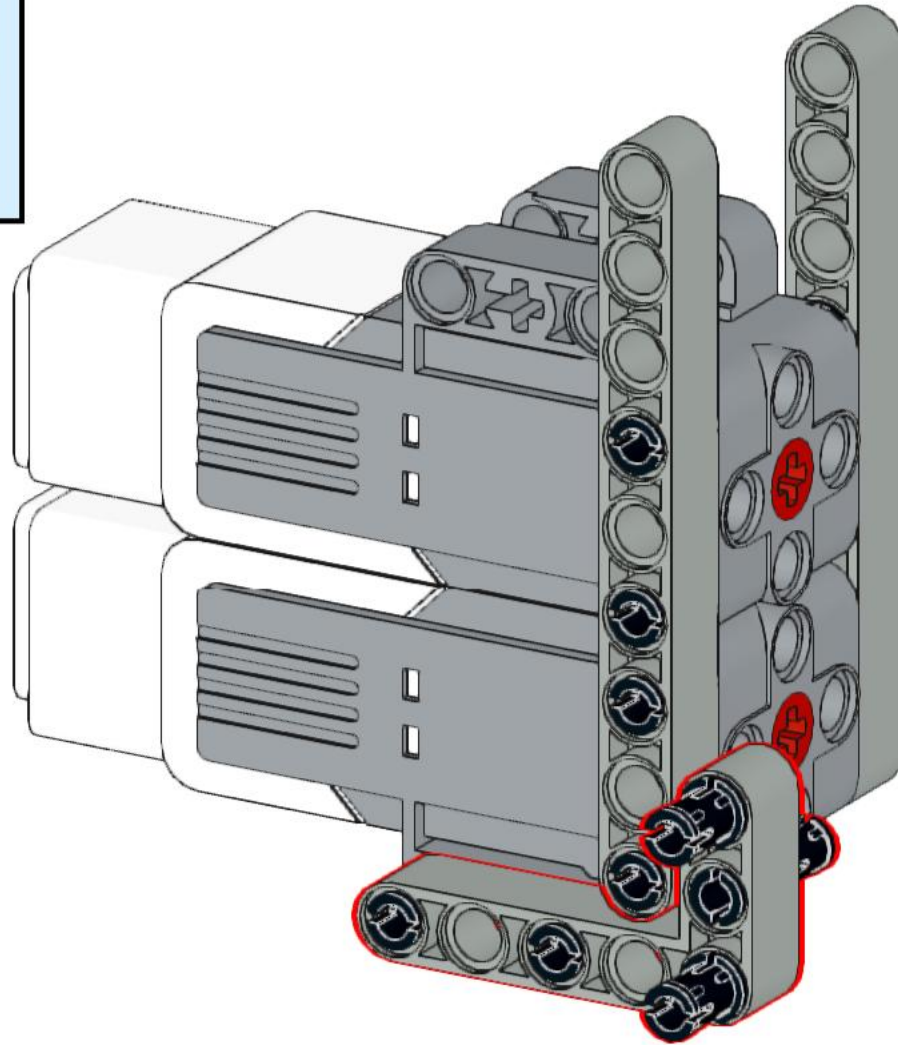
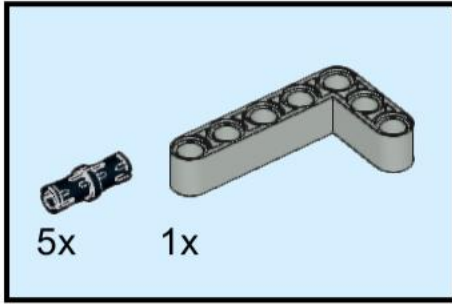
2



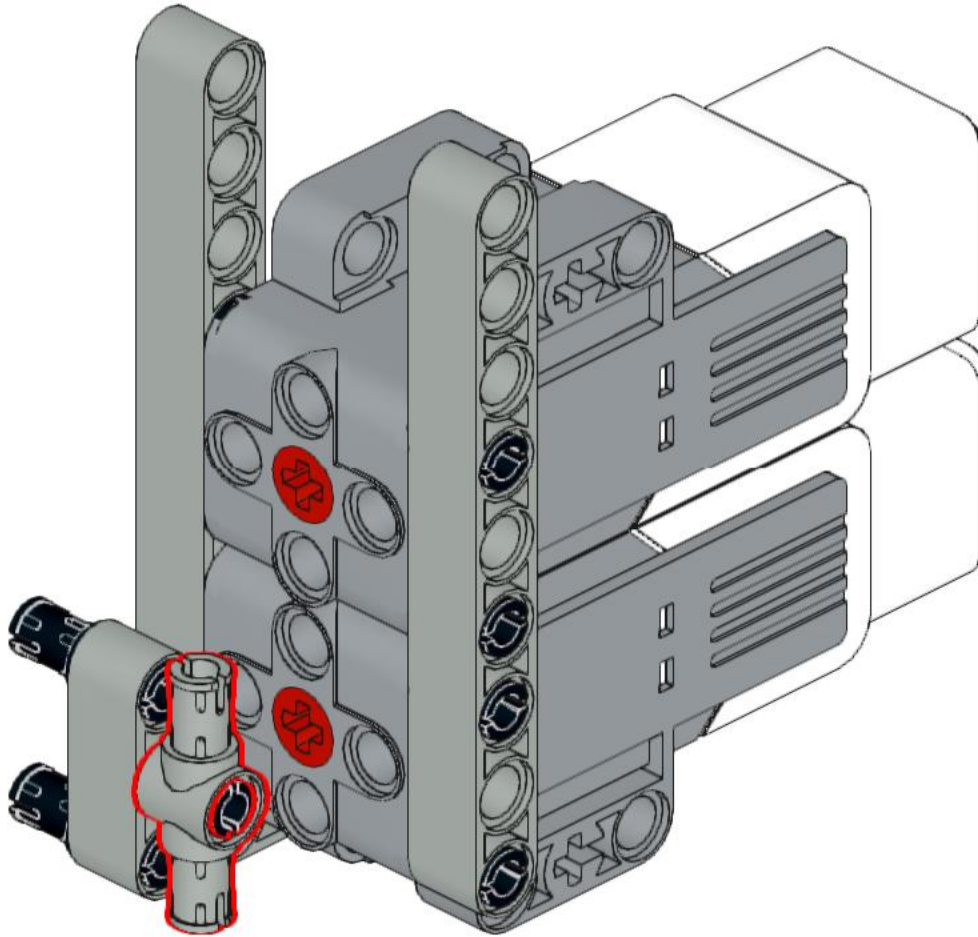
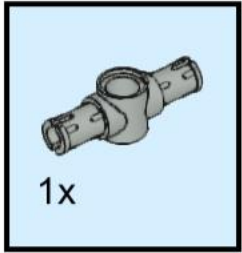
3



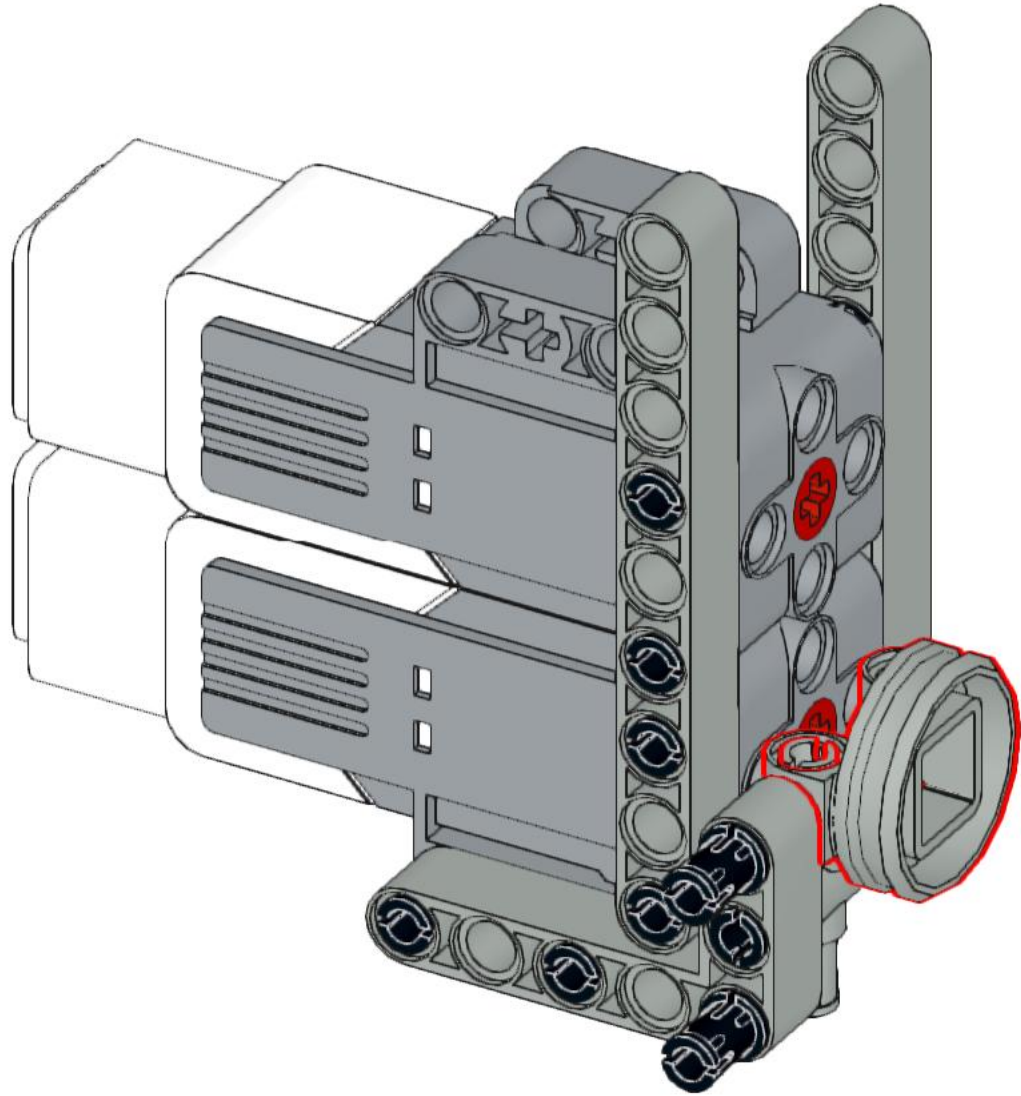
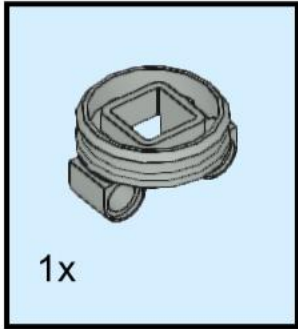
4



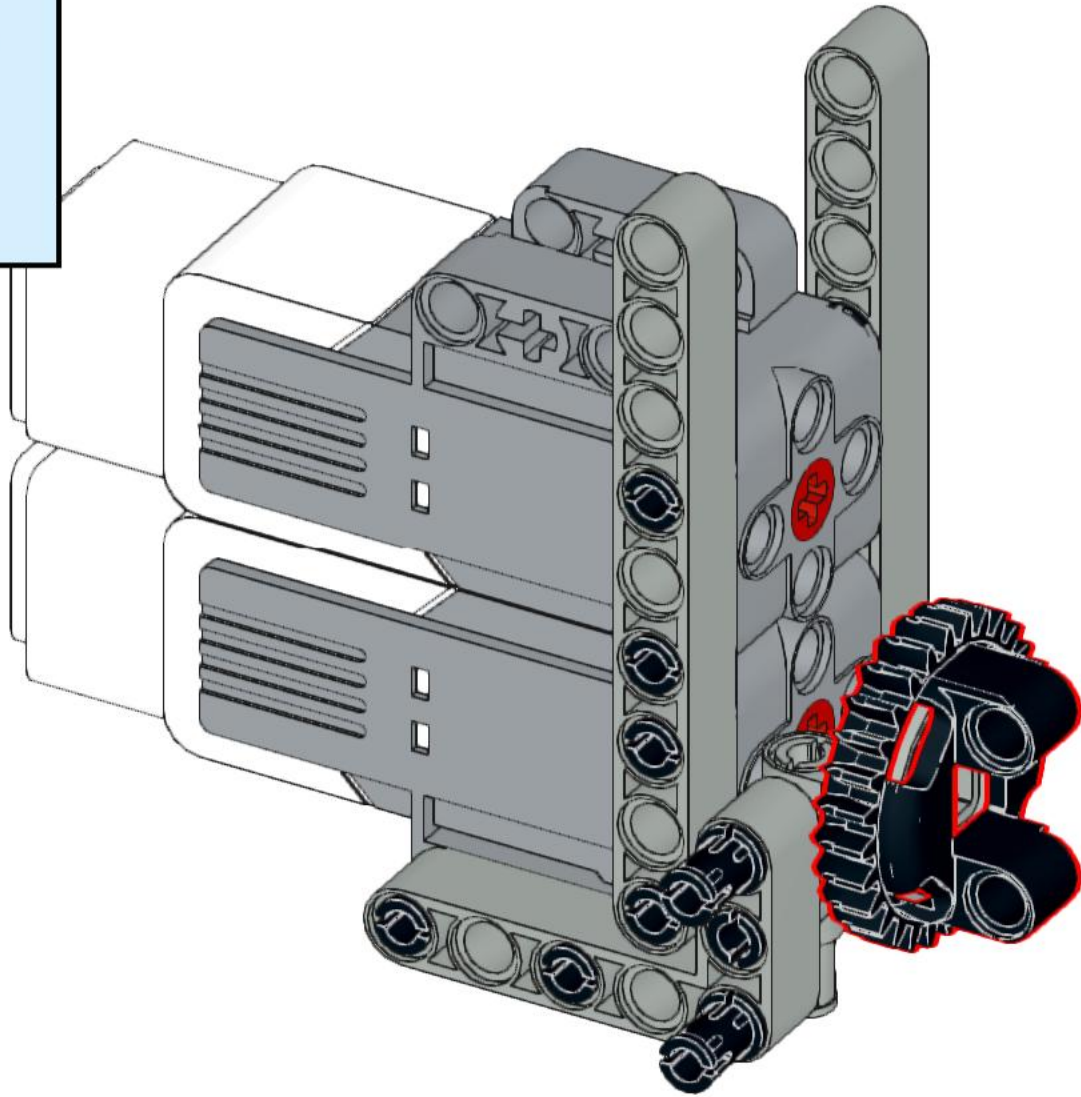
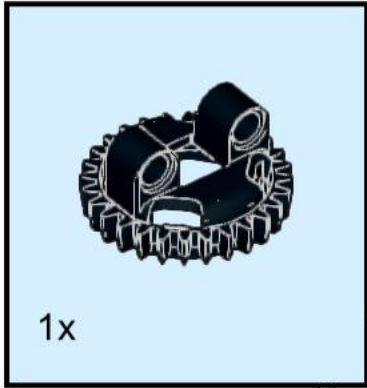
5



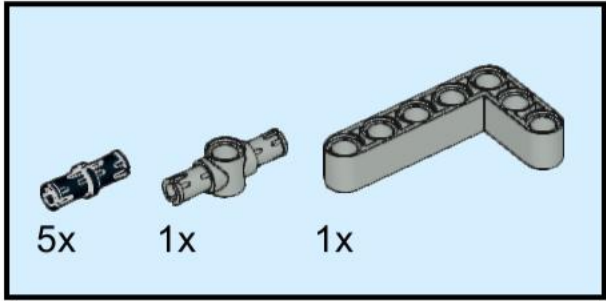
6



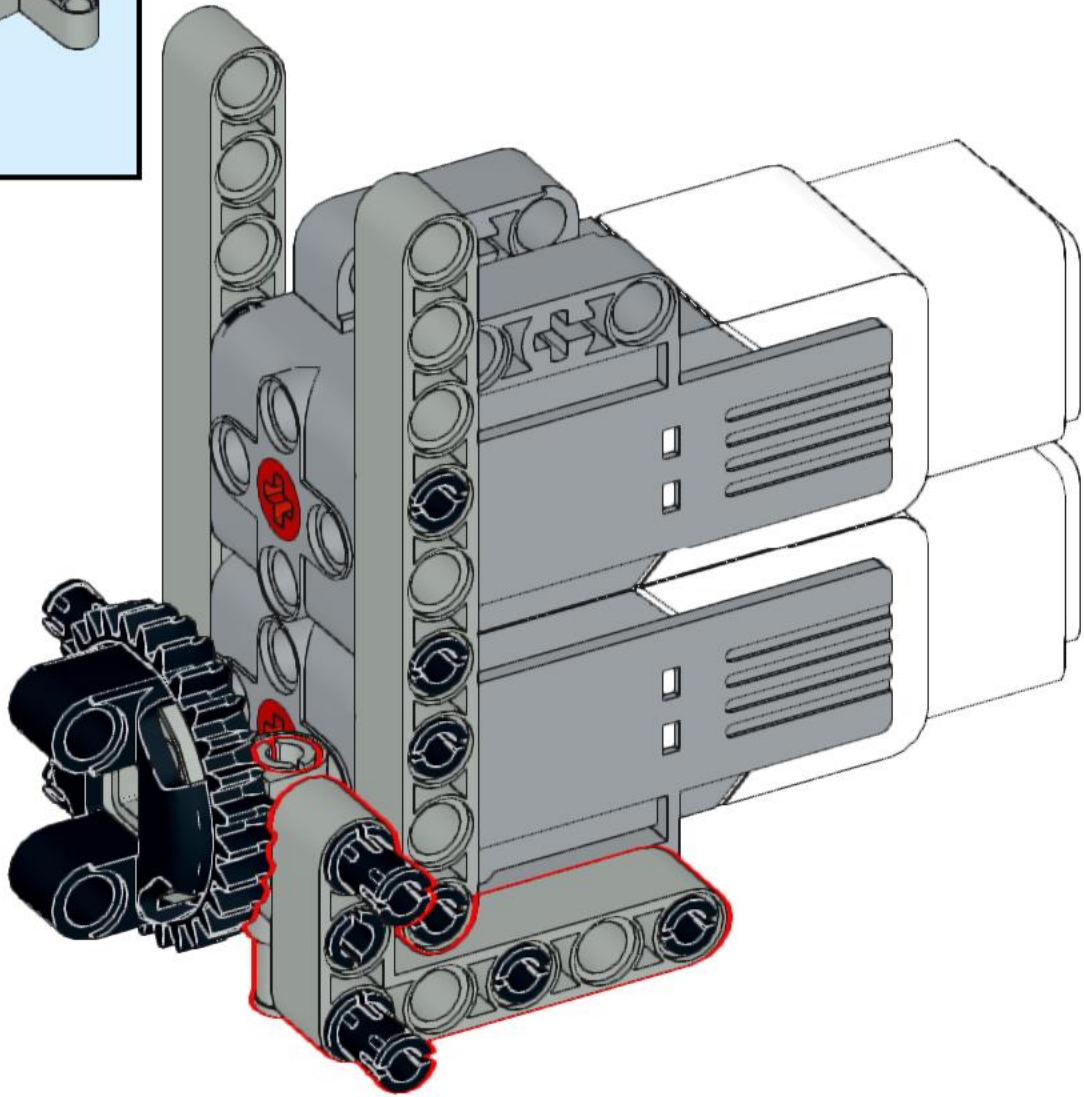
7



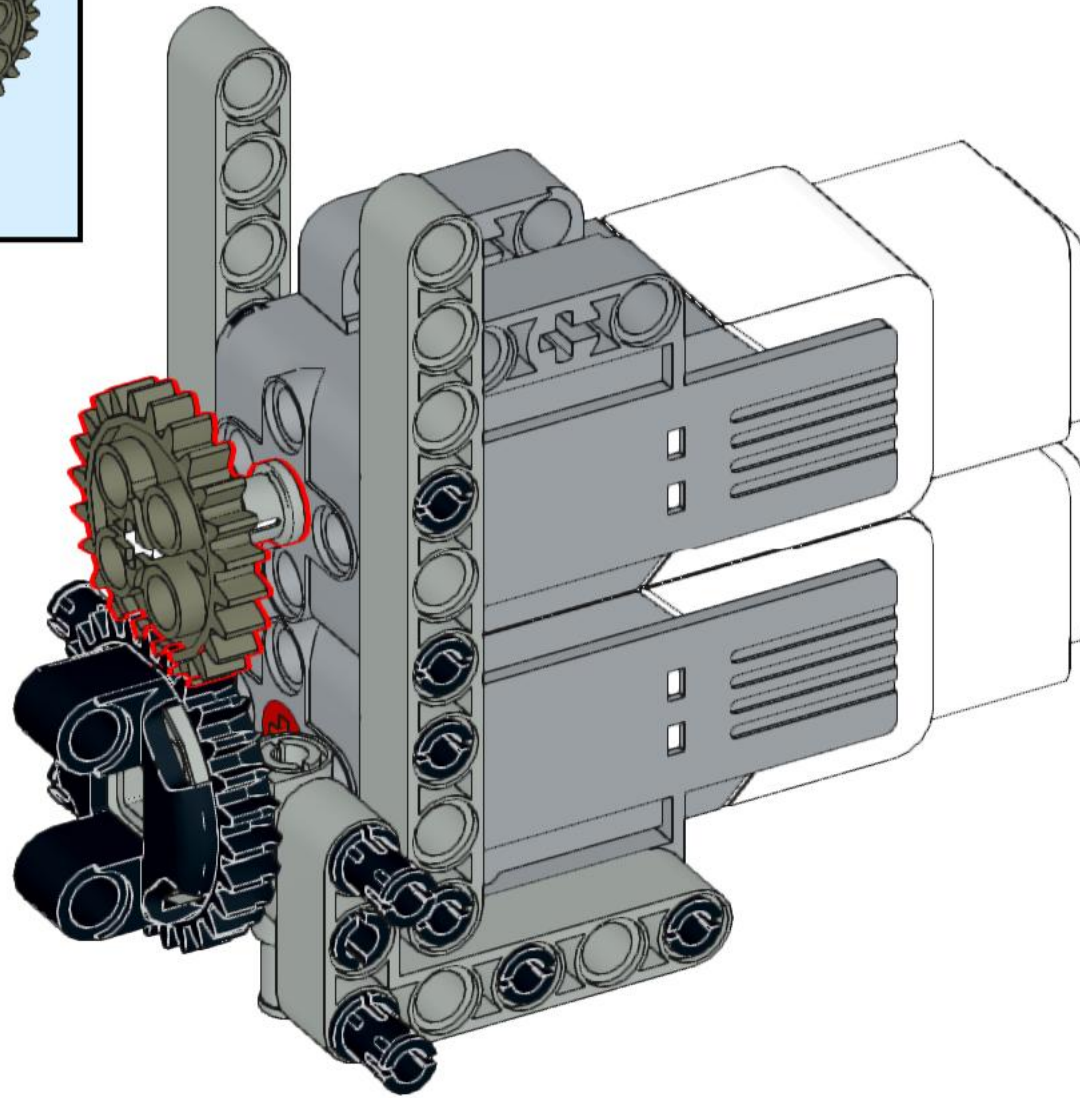
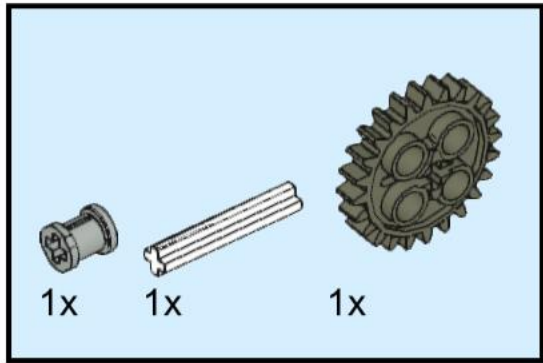
8



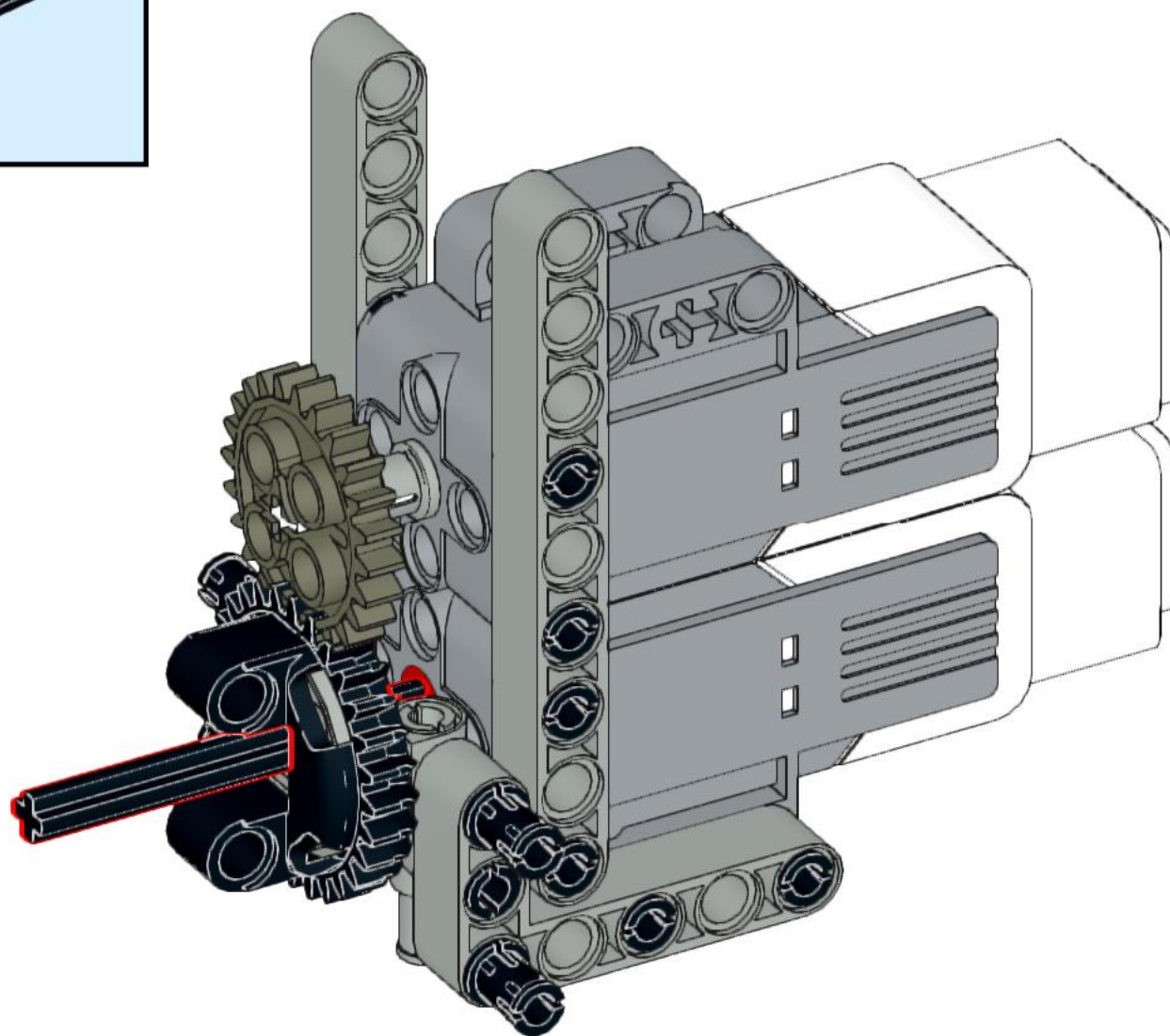
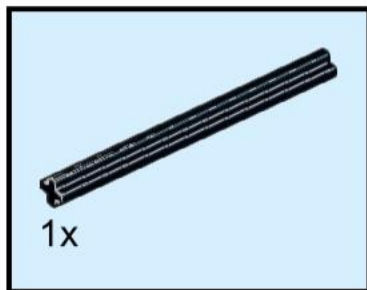
This is a mirror image of Step 5



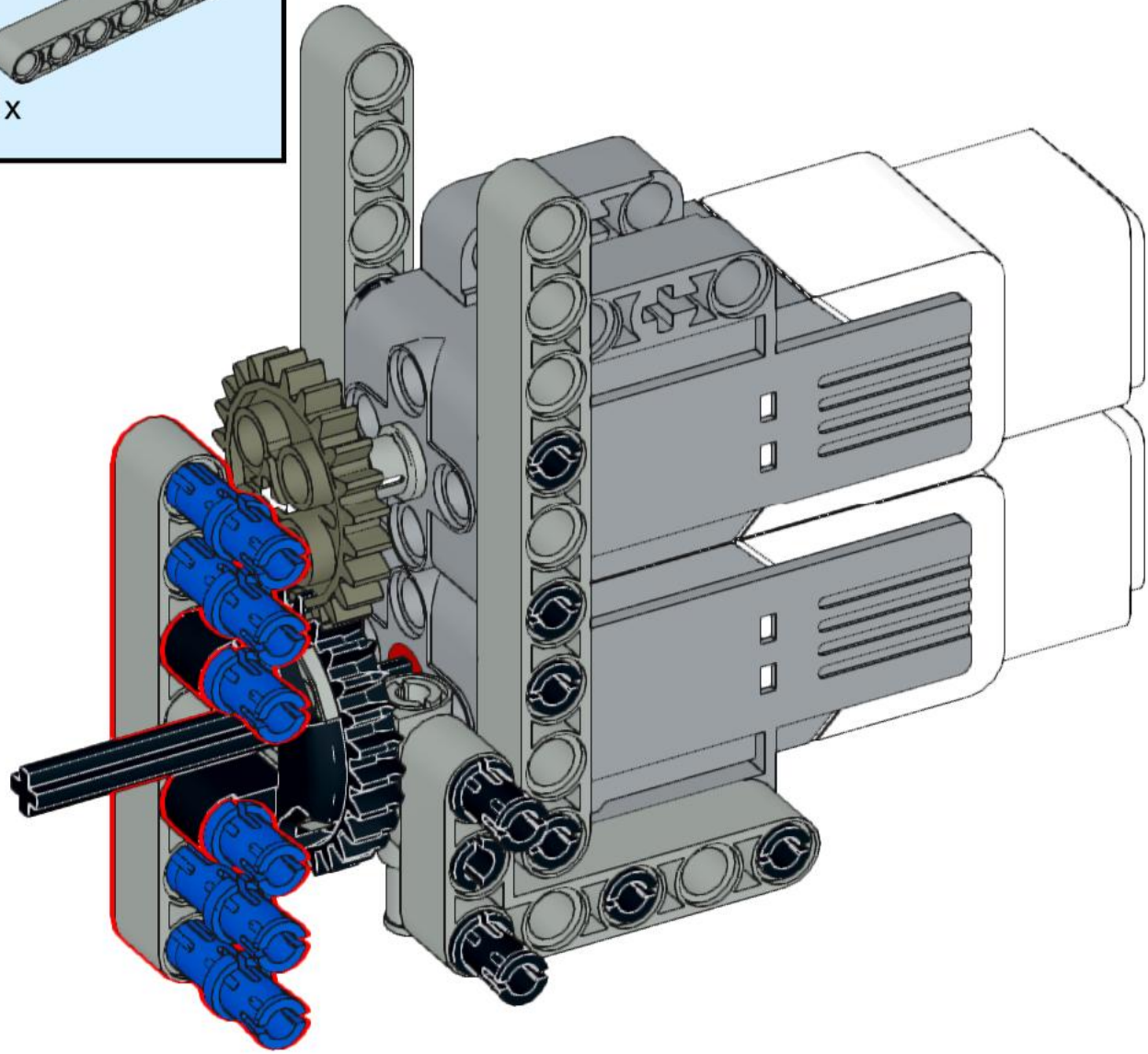
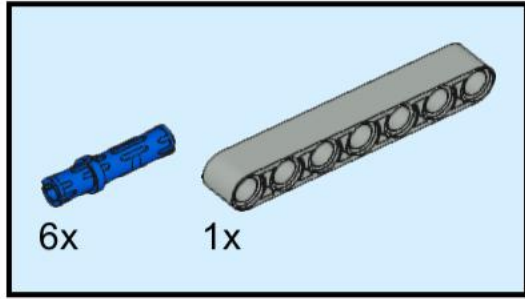
9



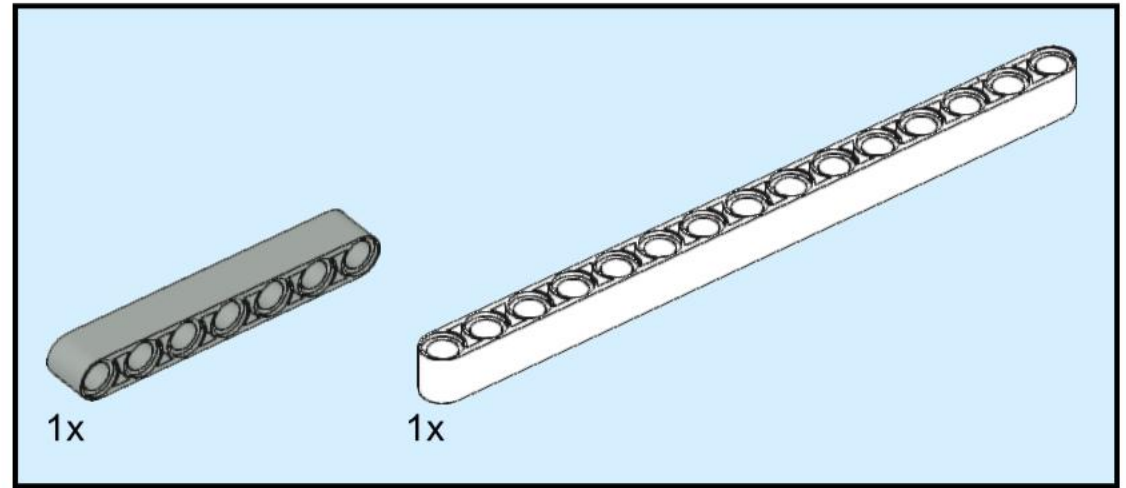
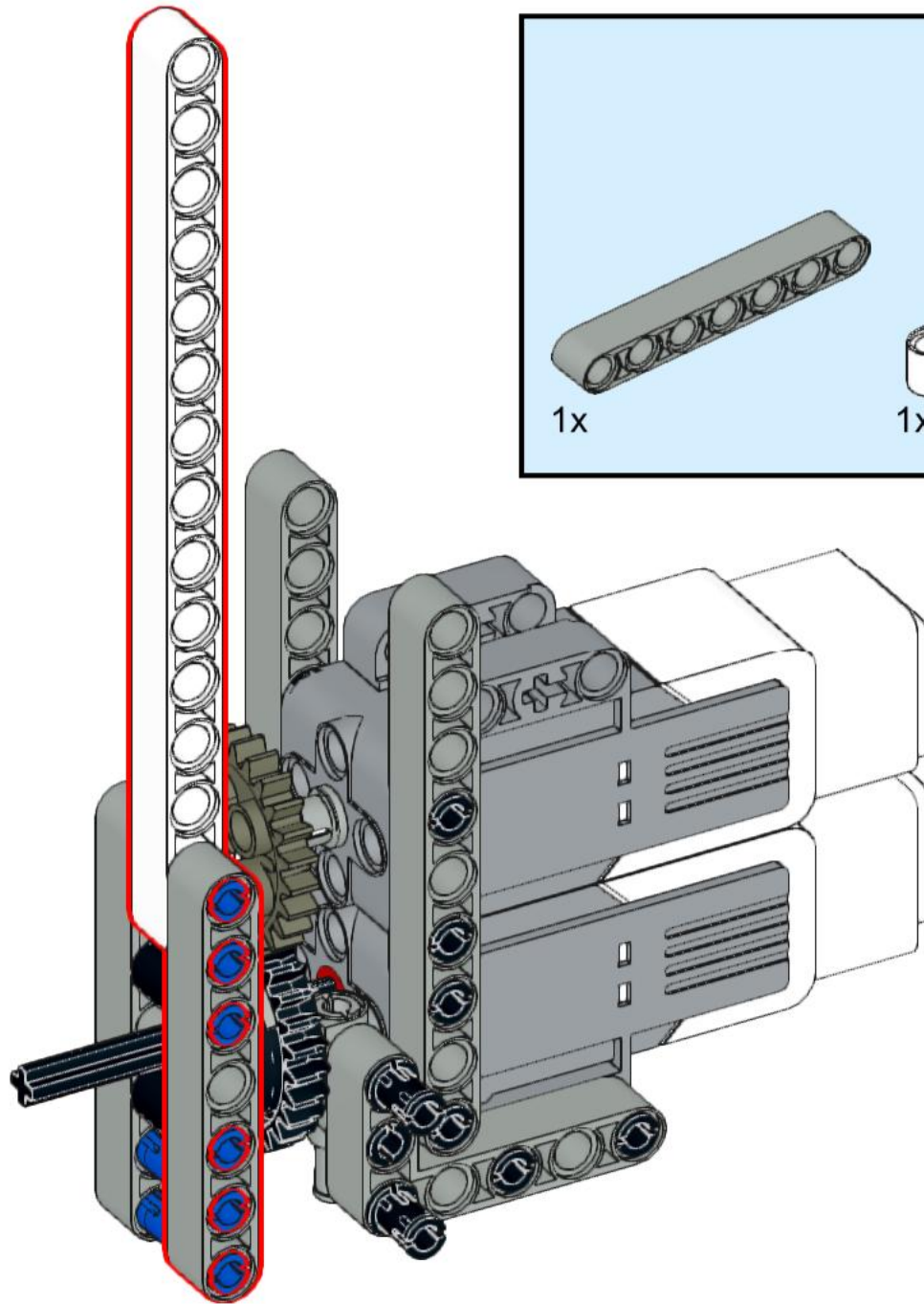
10



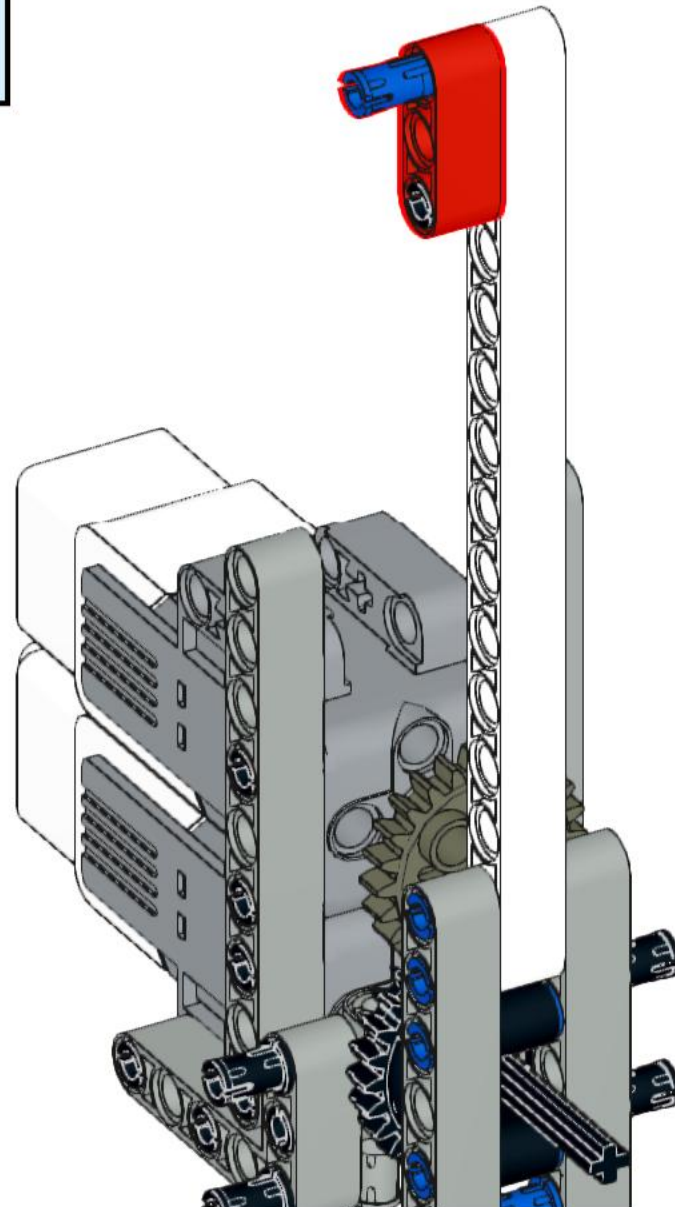
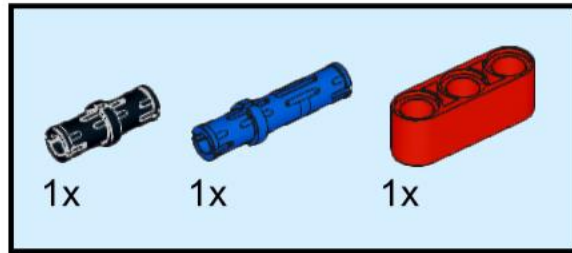
11



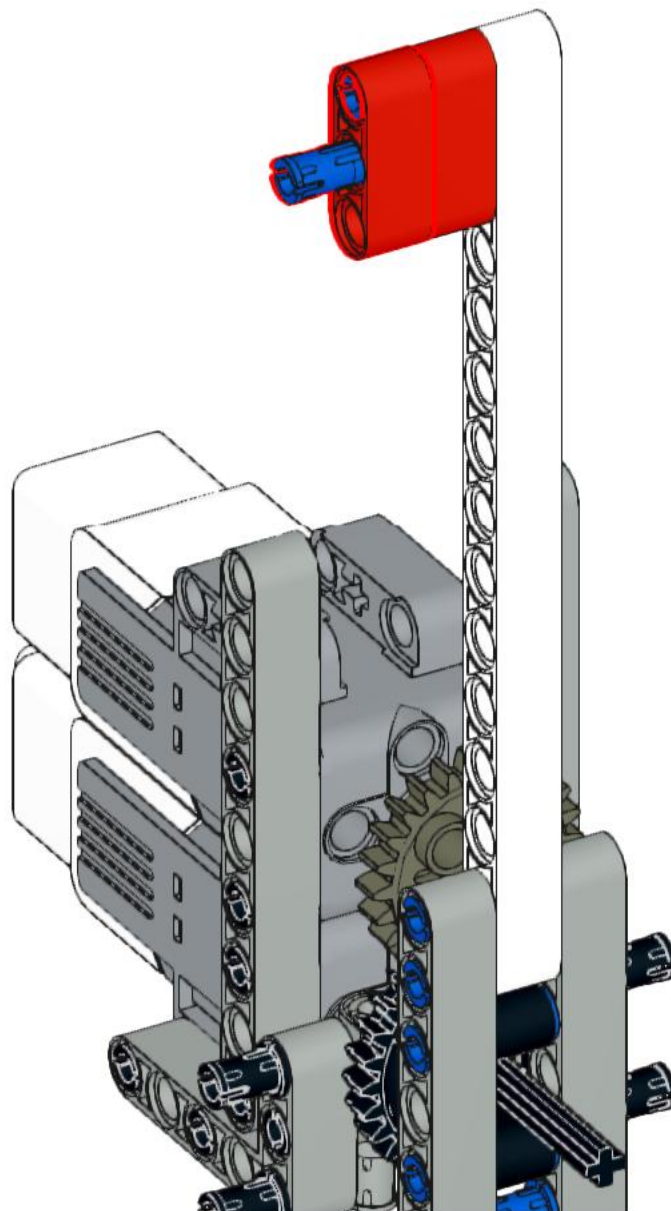
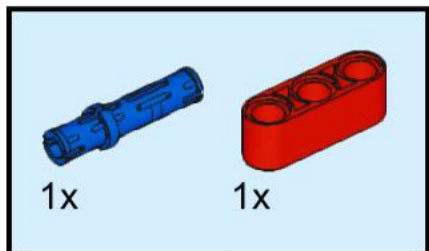
12



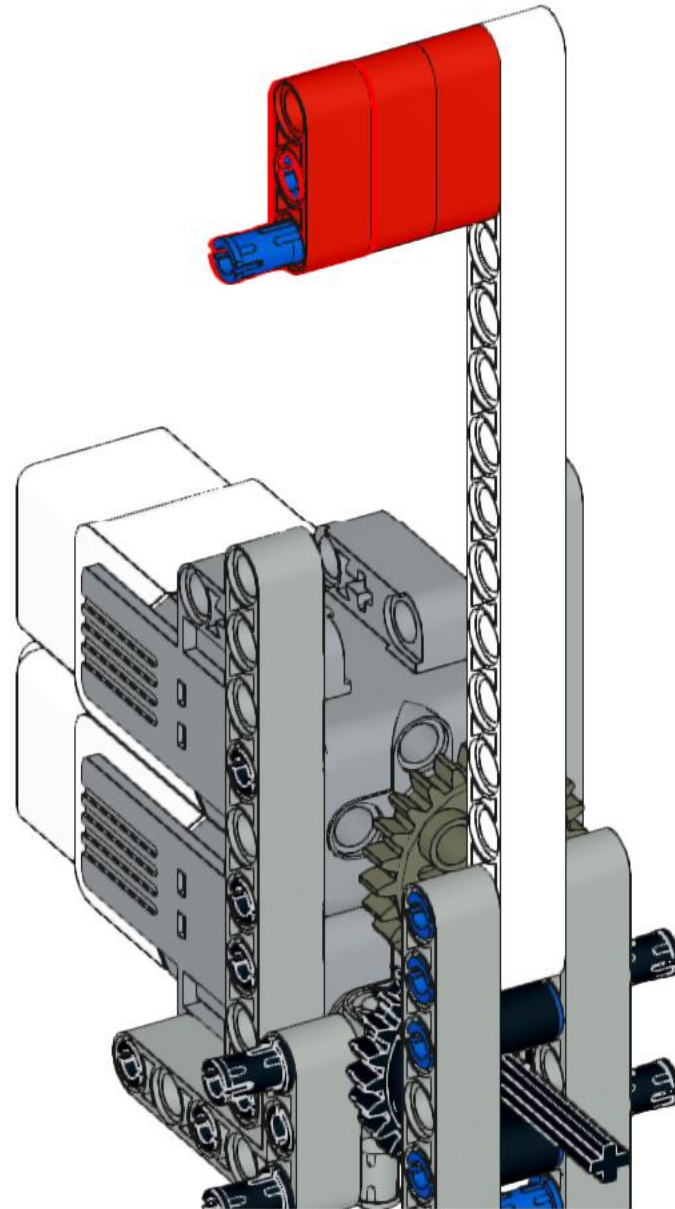
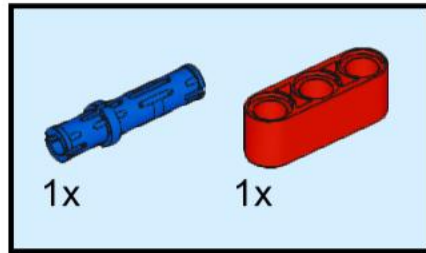
13



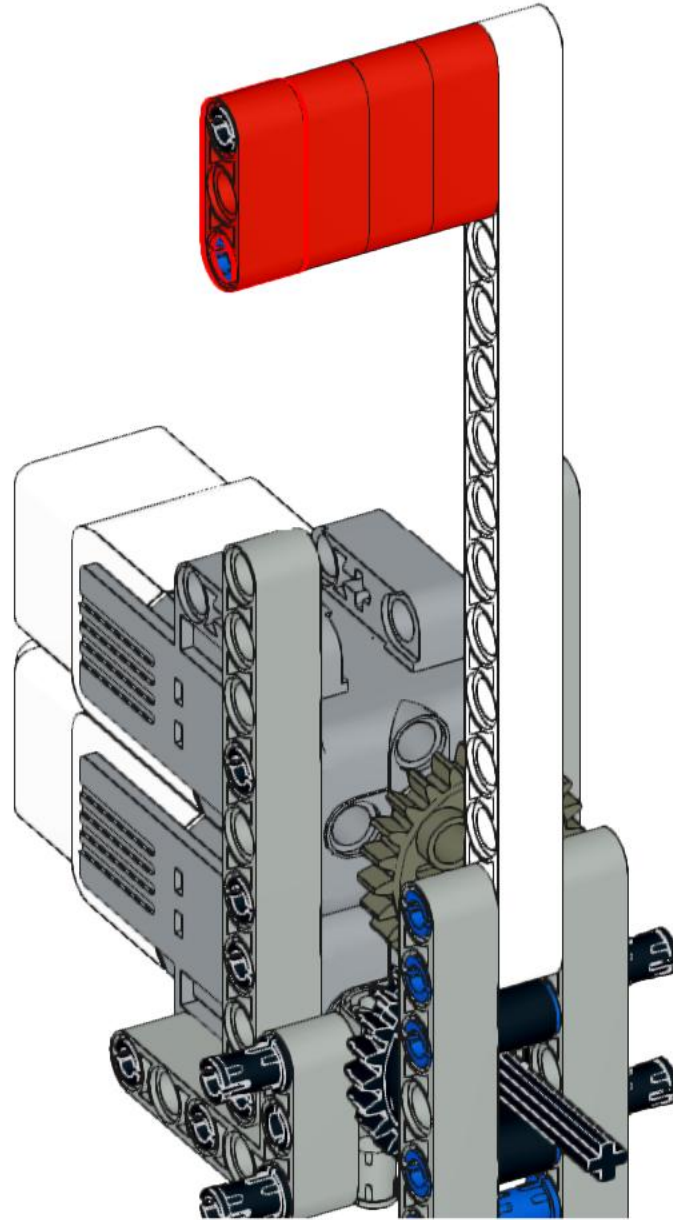
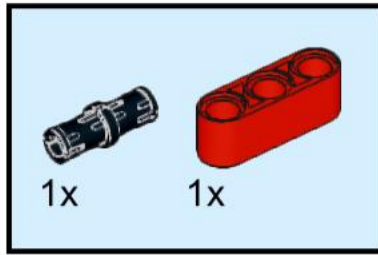
14



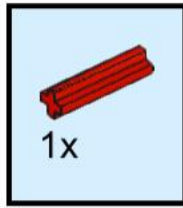
15



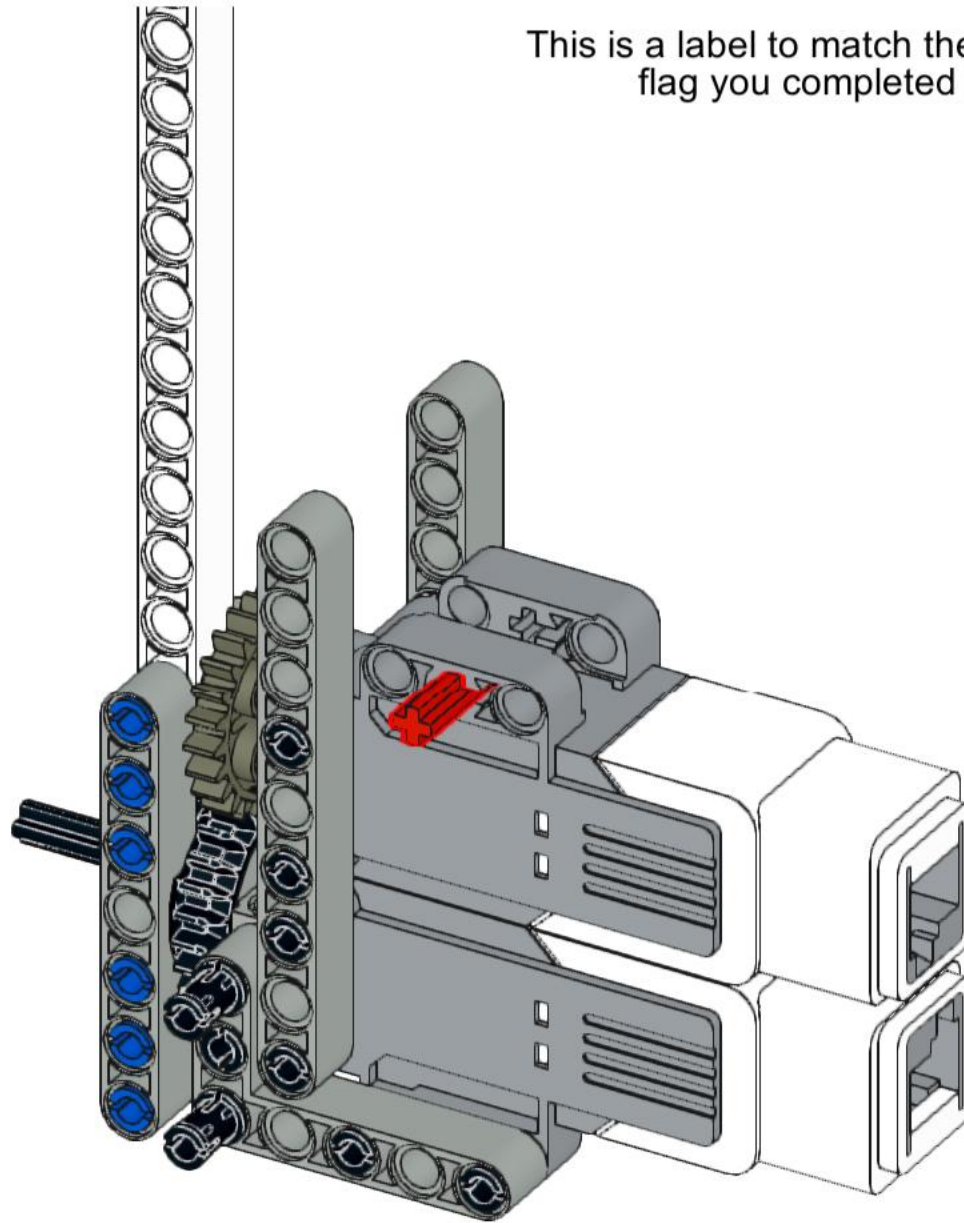
16



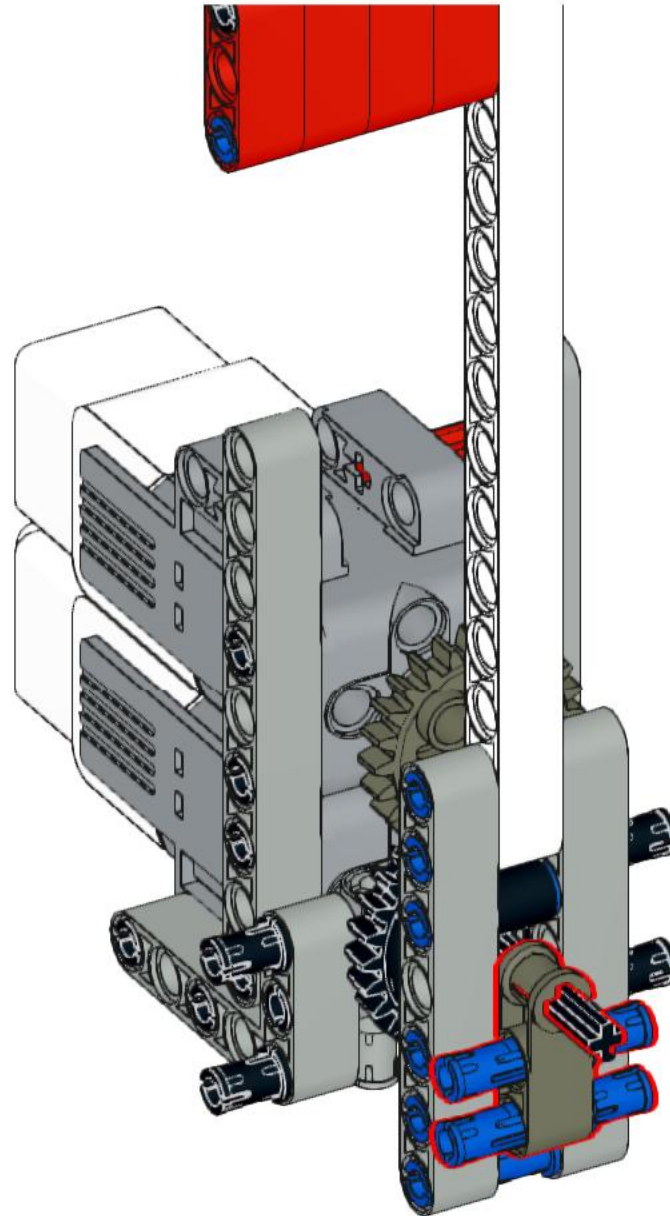
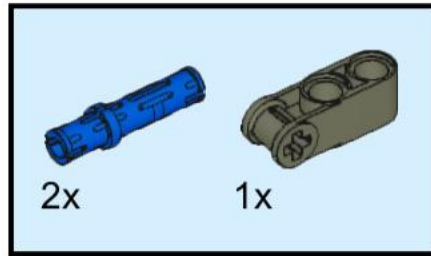
17



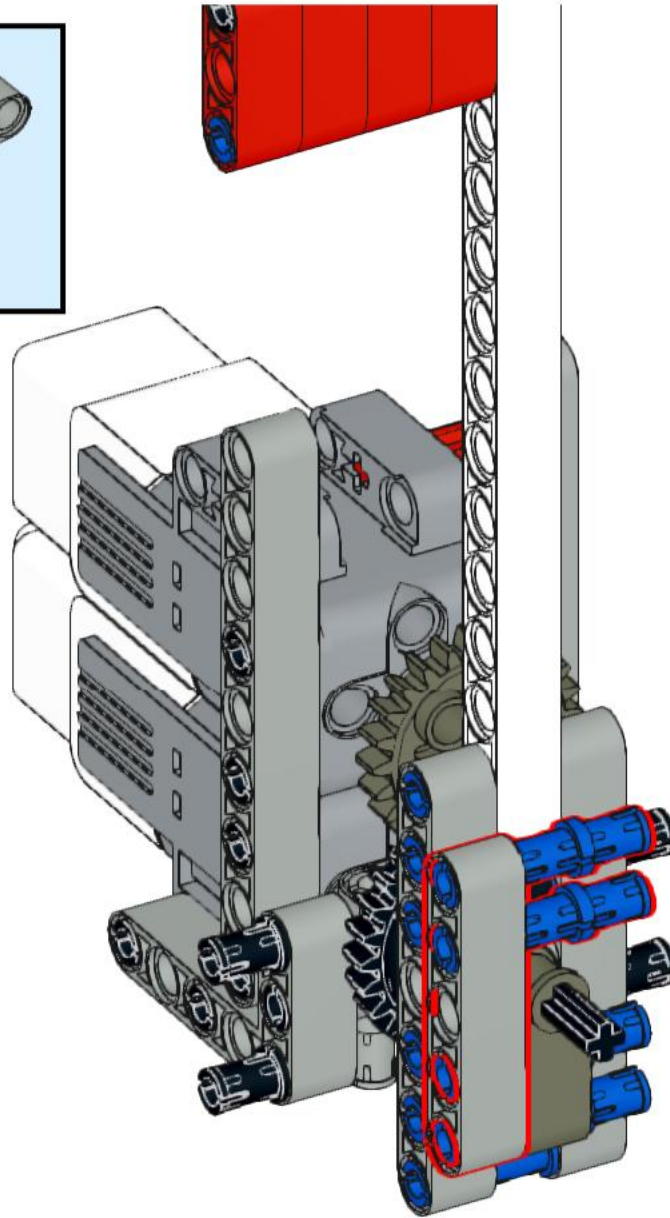
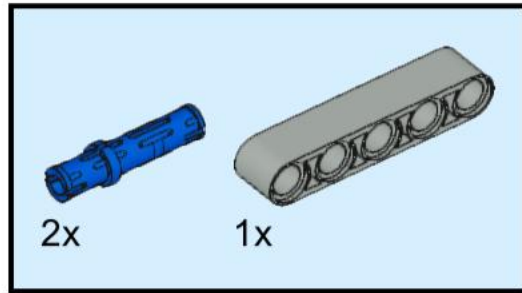
This is a label to match the motor to the colour of the flag you completed in the previous step



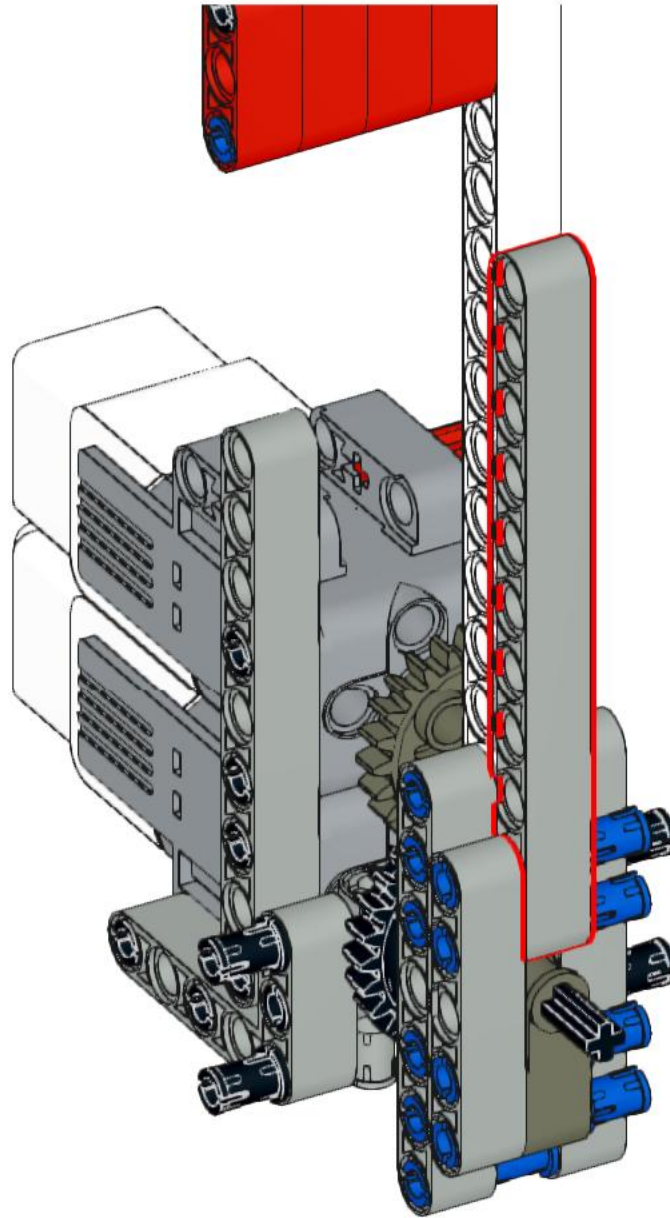
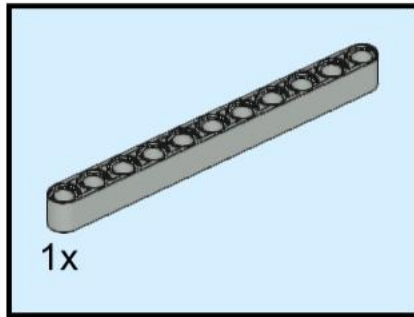
18



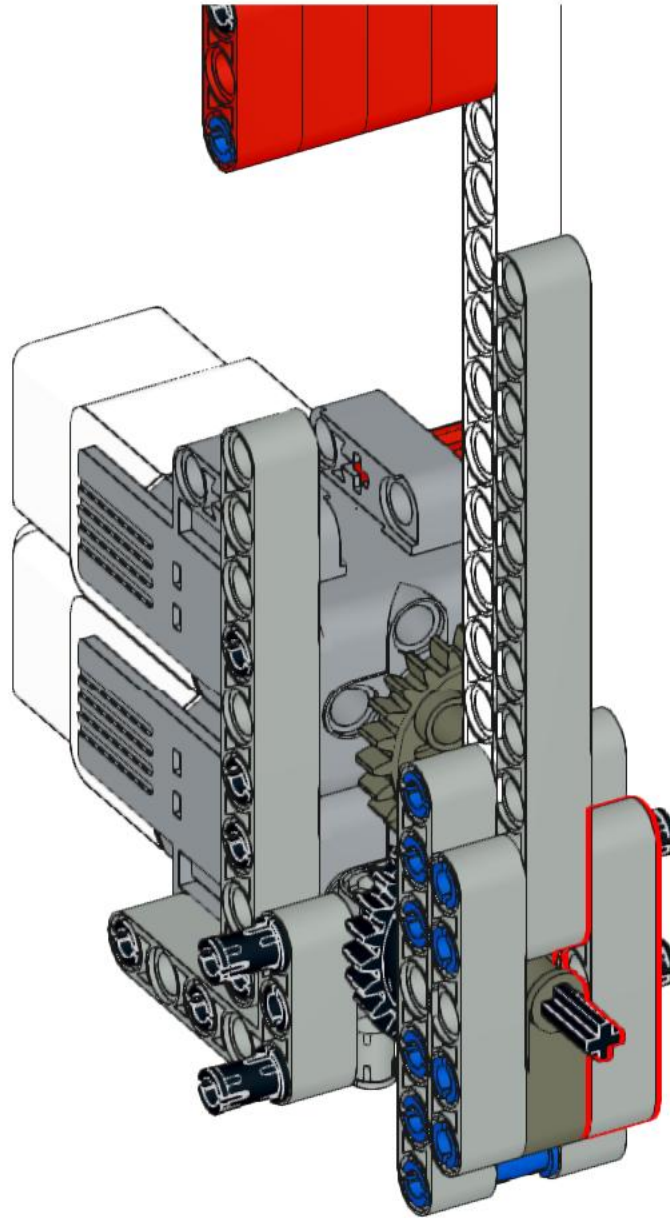
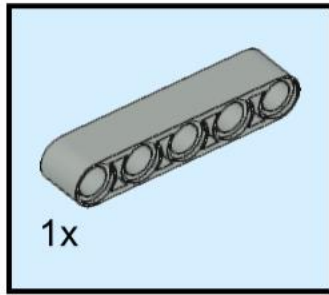
19



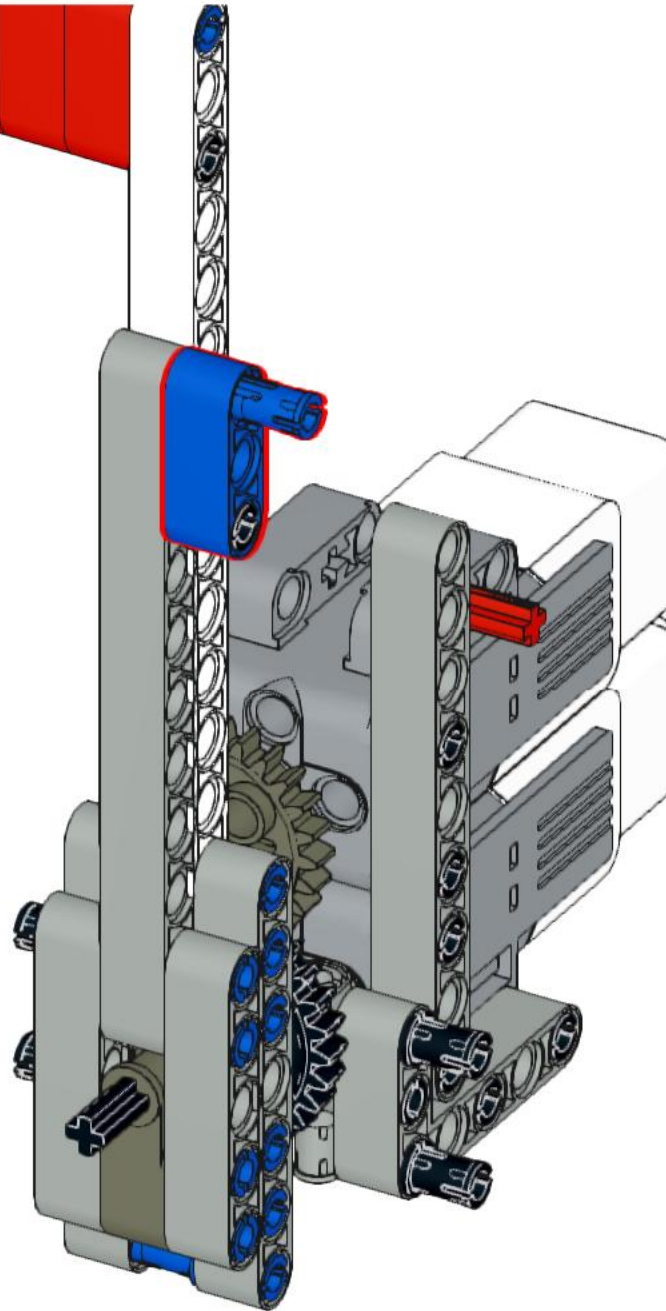
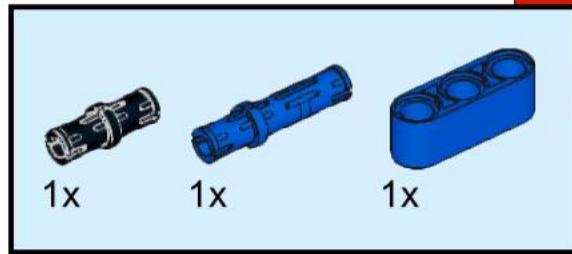
20



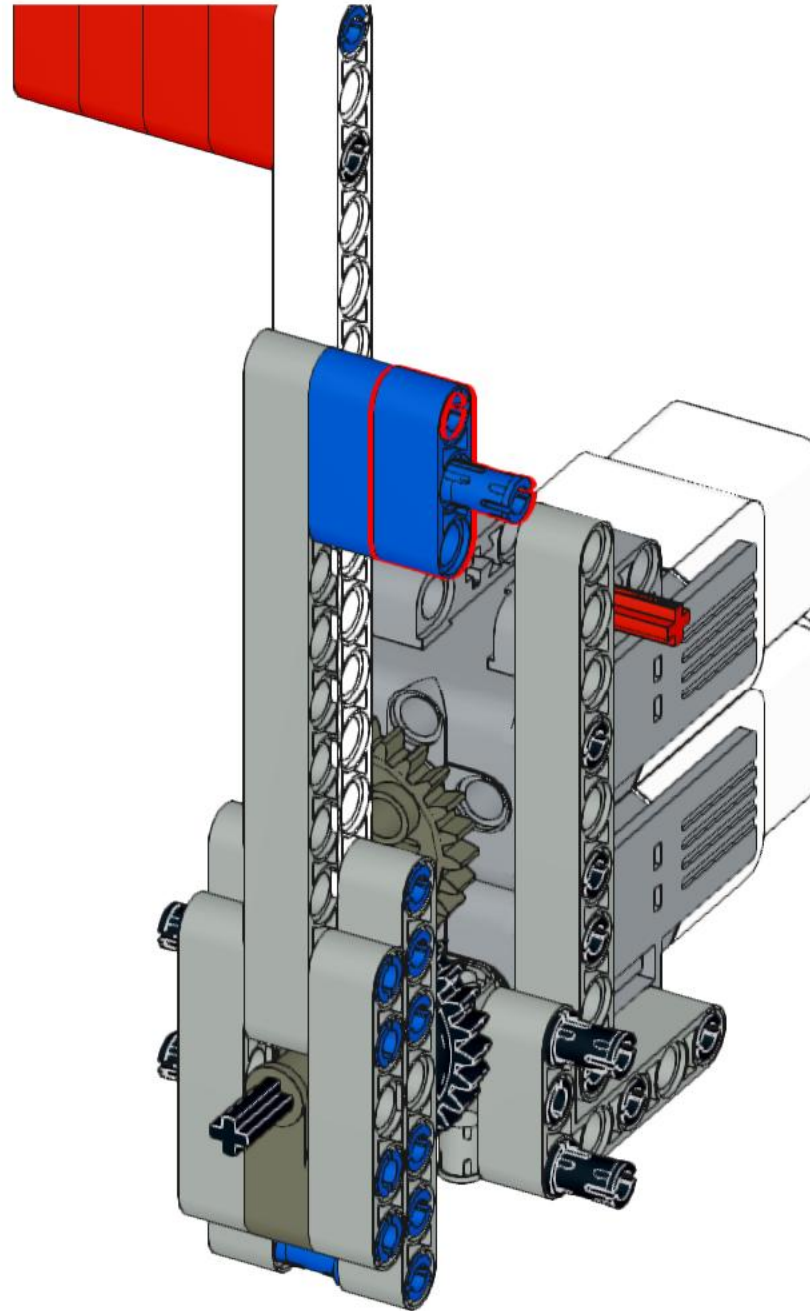
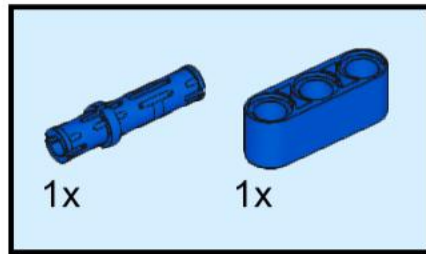
21



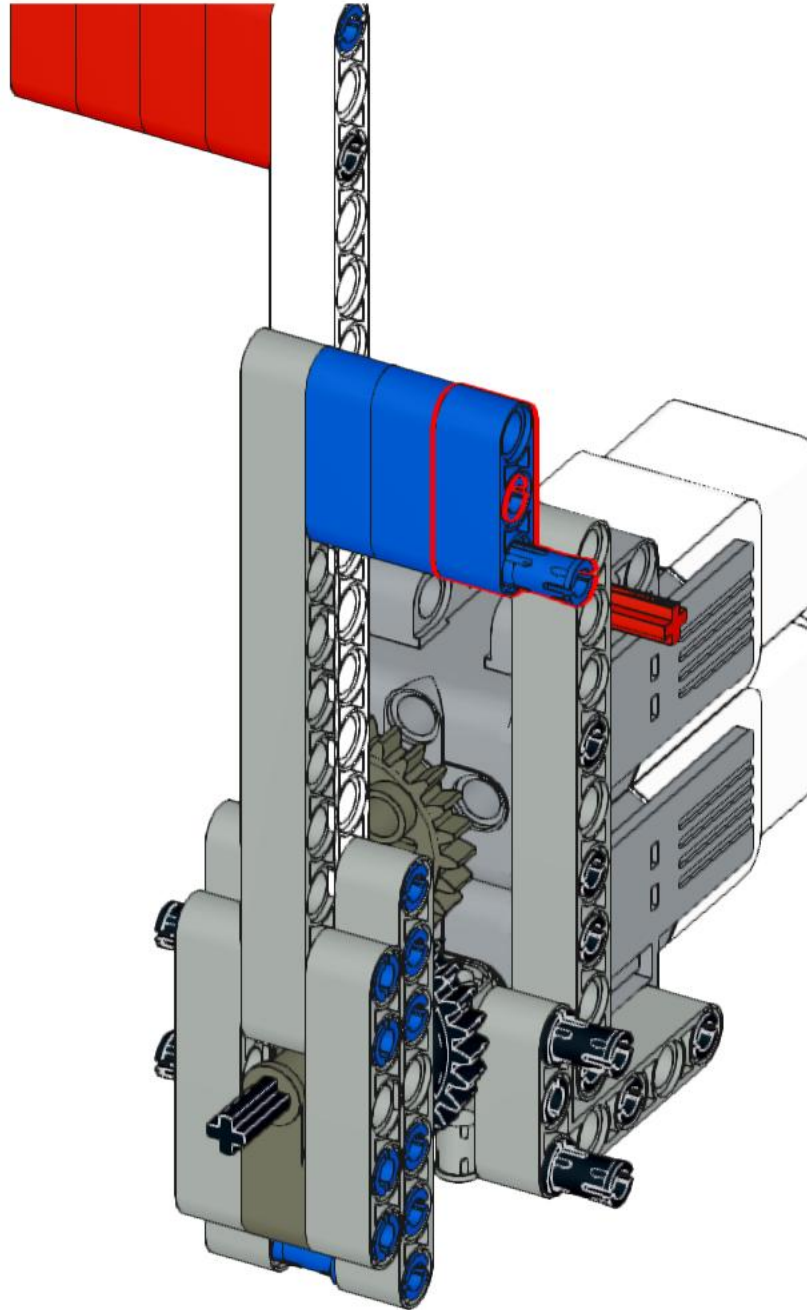
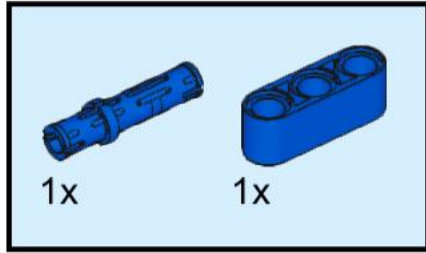
22



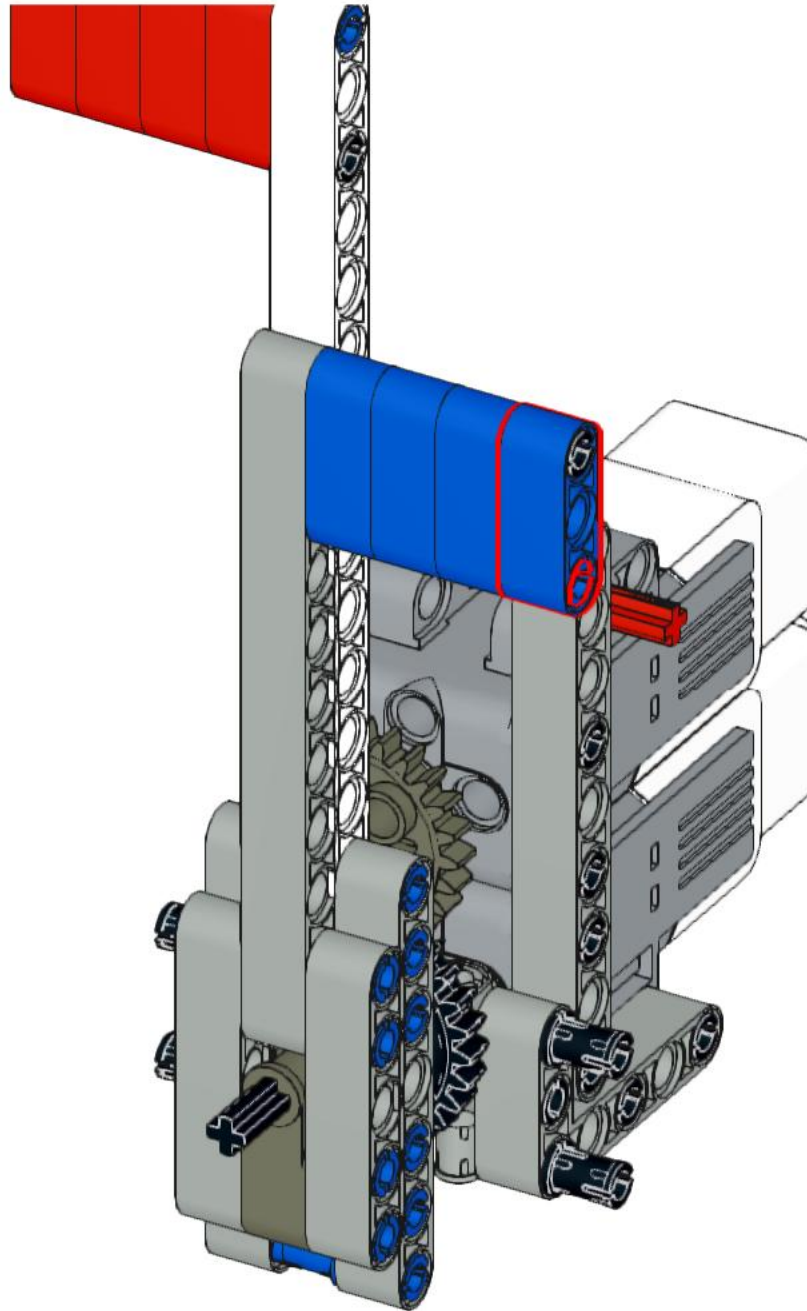
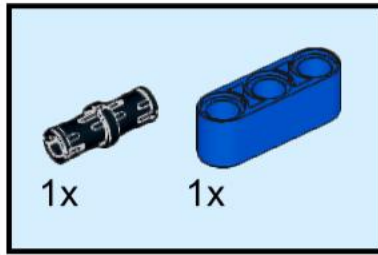
23



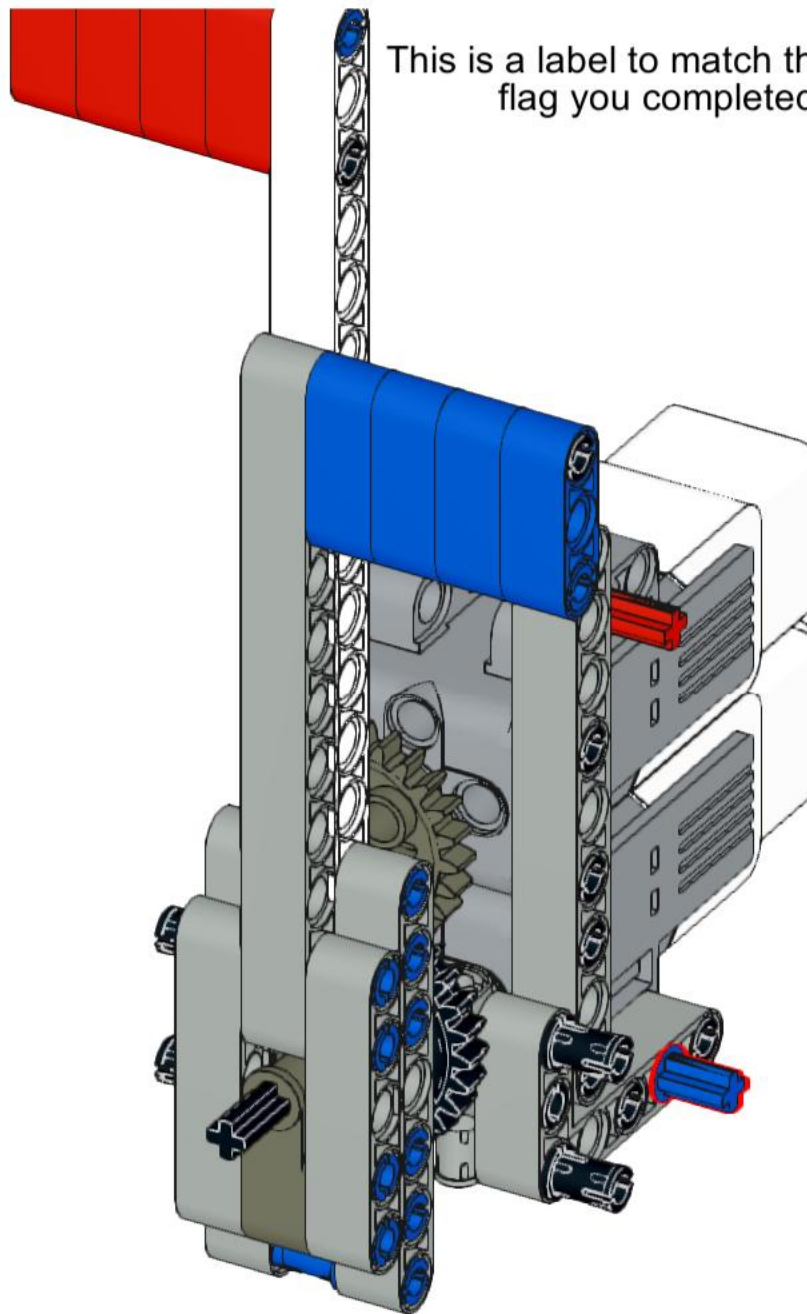
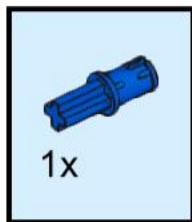
24



25

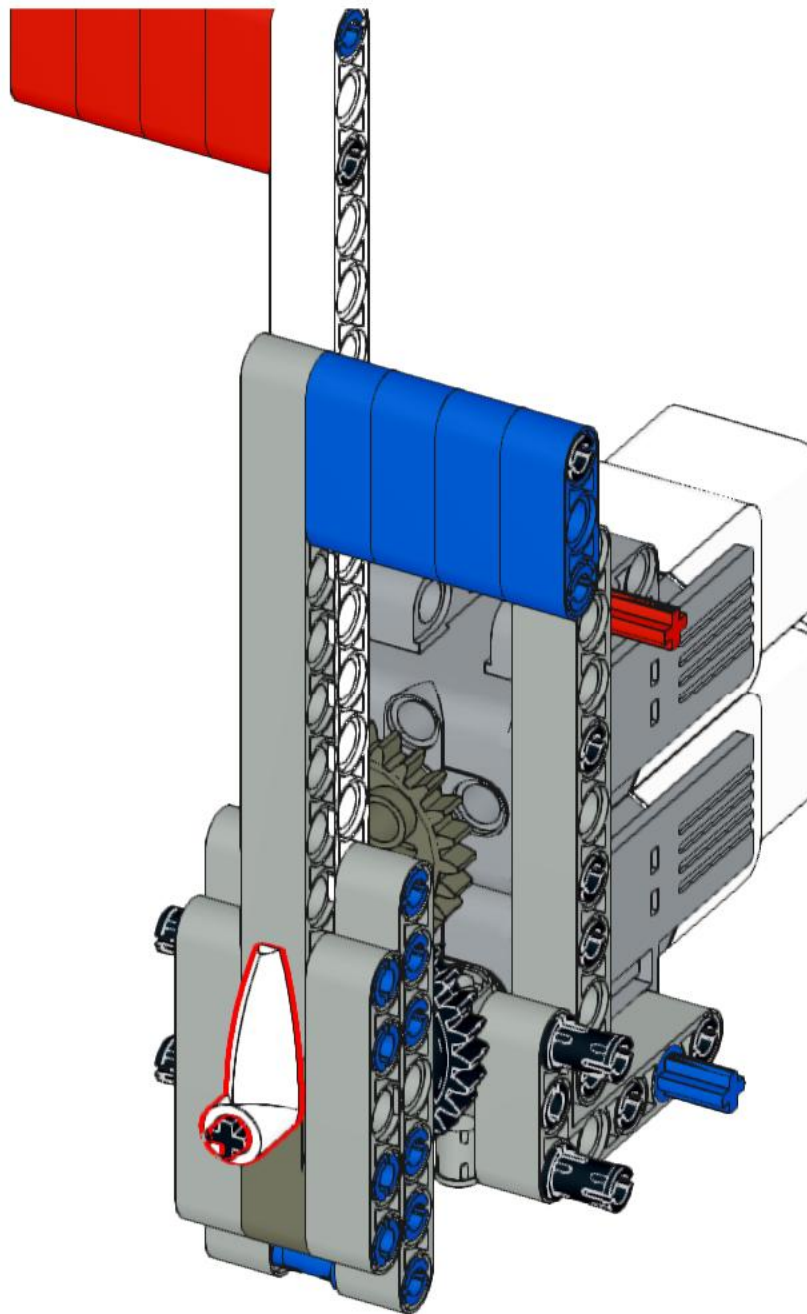
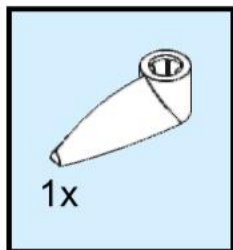


26

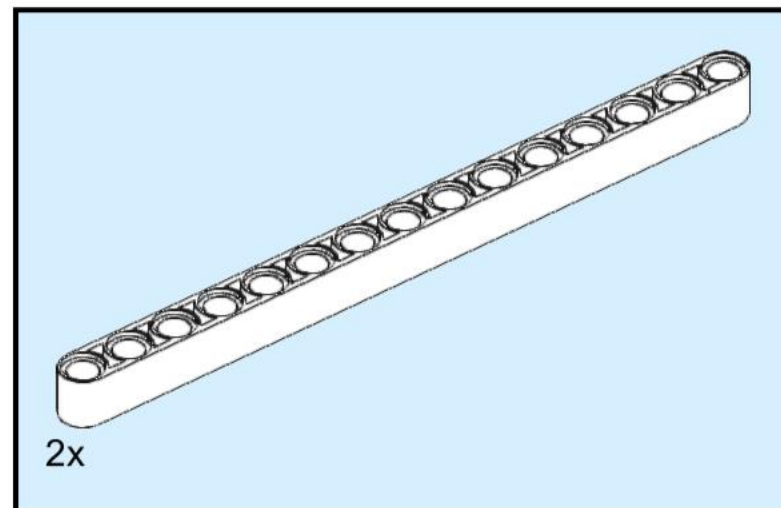
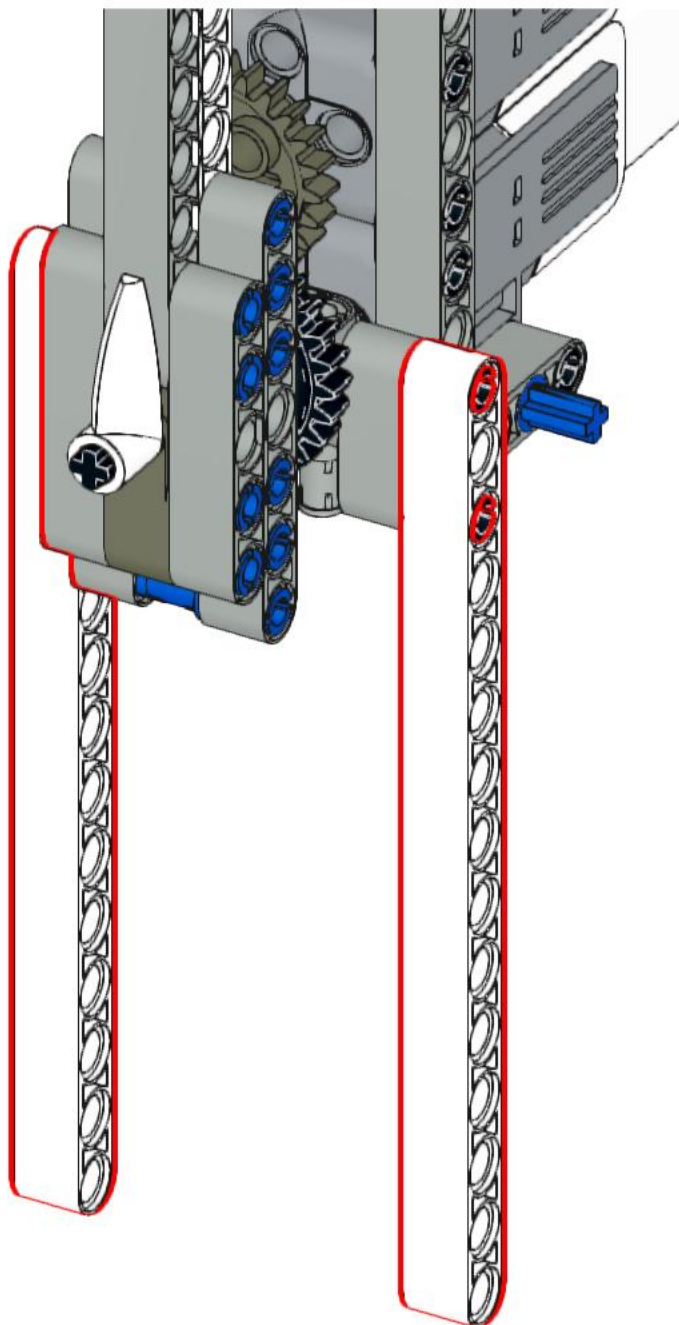


This is a label to match the motor to the colour of the flag you completed in the previous step

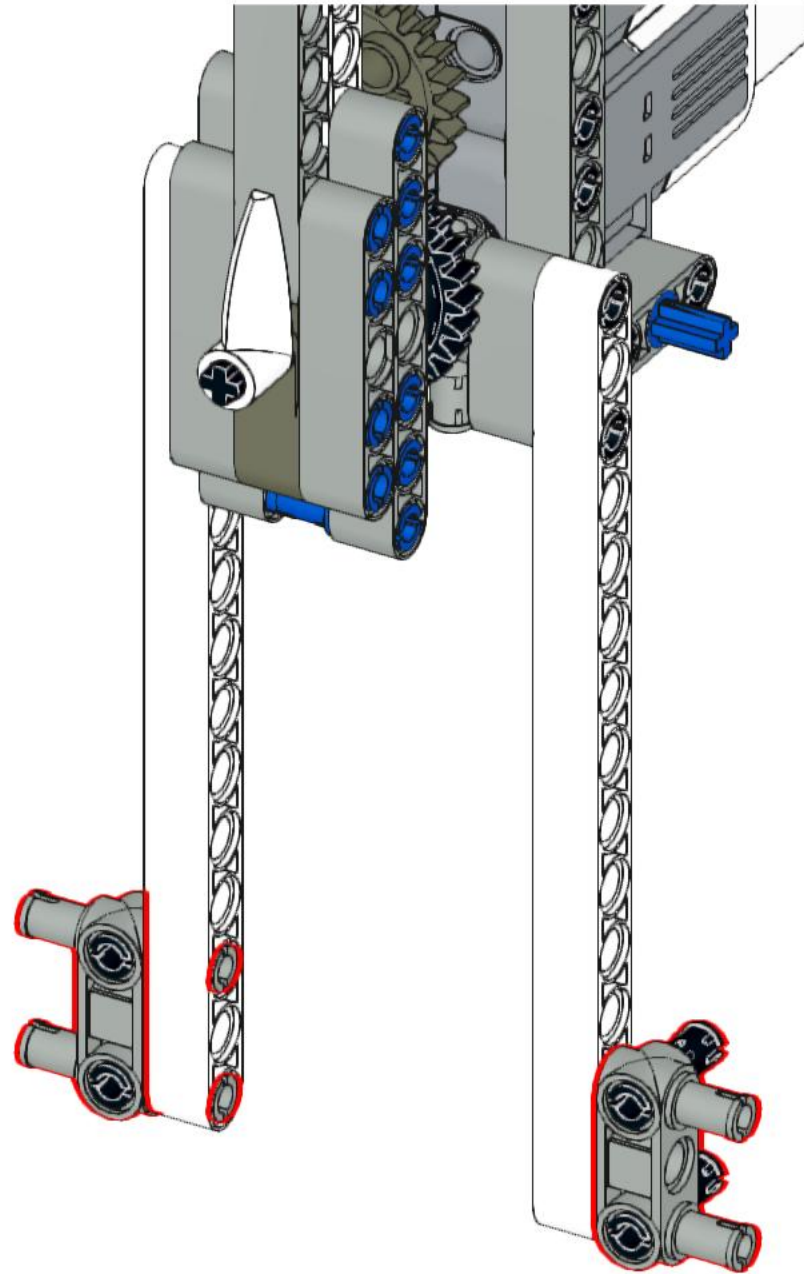
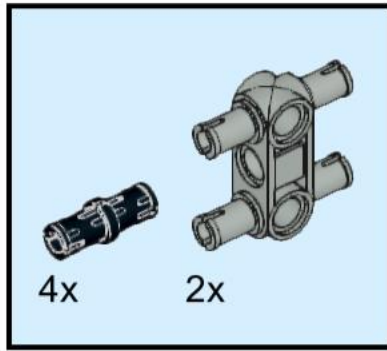
27



28



29



30

