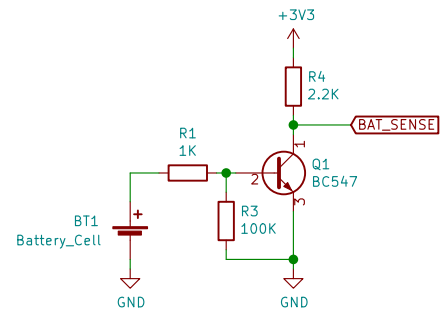
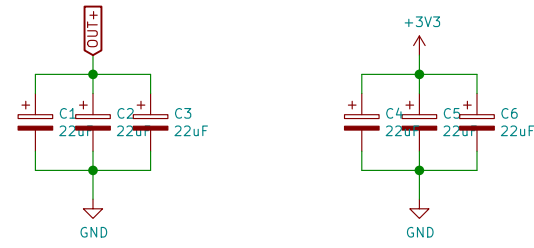


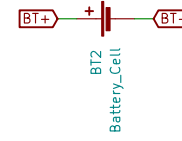
Battery Sense



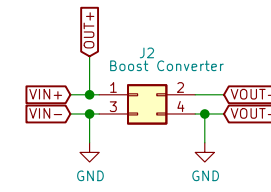
Tantalum Caps



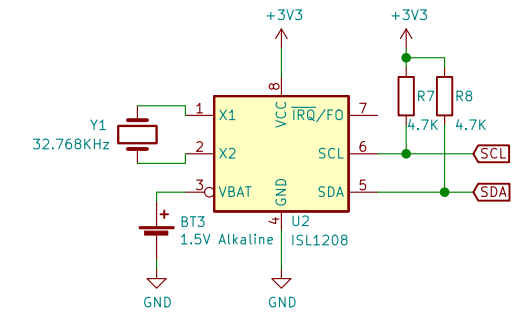
18650 Li-Ion Cell



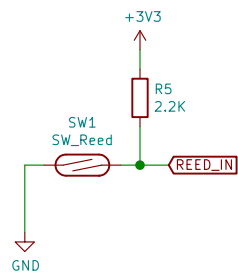
DC-DC Boost Converter



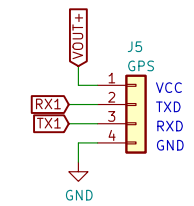
ISL1208 RTC



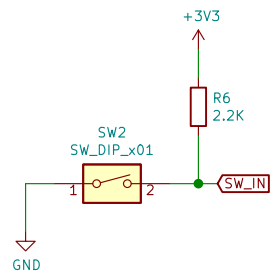
Reed Switch



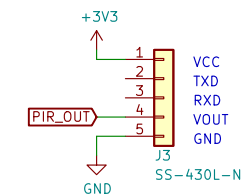
MT3329 GPS Module



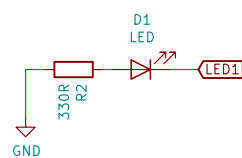
SPDT Switch



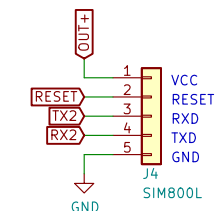
SS-430L-N PIR Sensor



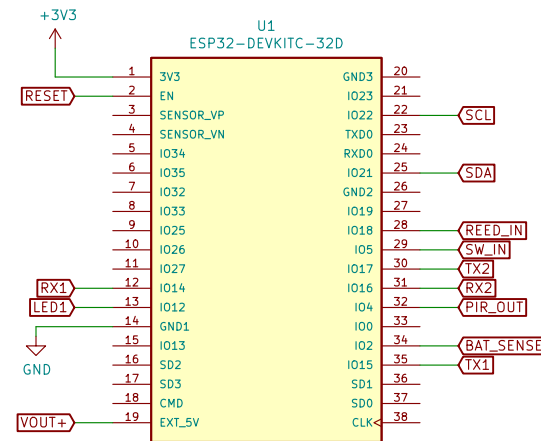
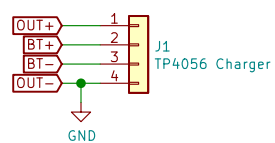
LED Indication 1



SIM800L GSM Module



TP4056 Li-Ion Charger



Portable and Connected Motion Alert Device

By **@vishnumaiea**

Sheet: /

File: Alerto-Prototype.sch

Title: Alerto!

Size: A3

Date:

Rev: 1.0

KiCad E.D.A. kicad (5.1.5)-3

Id: 1/1