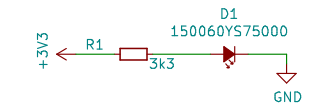
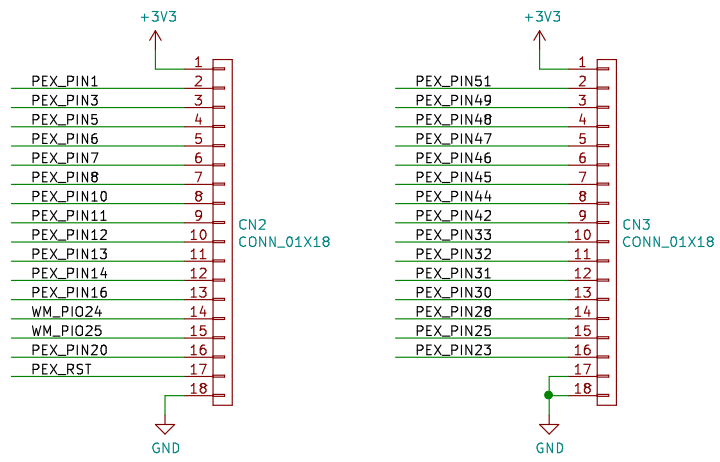
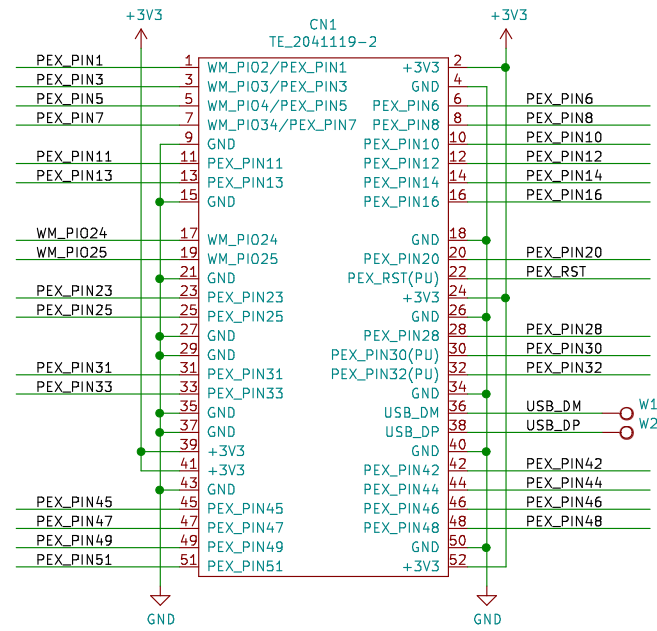


mounting spacers for Vidor 4000

- × 1 1 MECH1
WA-SMSL9774015151
- × 1 1 MECH2
WA-SMSL9774015151



mounting holes

- × 1 1 MECH3
MHP_3.2_5.8
- × 1 1 MECH4
MHP_3.2_5.8
- × 1 1 MECH5
MHP_3.2_5.8

This documentation describes Open Hardware and is licensed under the CERN OHL v. 1.2.

You may redistribute and modify this documentation under the terms of the CERN OHL v.1.2. (<http://ohwr.org/cernohl>). This documentation is distributed WITHOUT ANY EXPRESS OR IMPLIED WARRANTY, INCLUDING OF MERCHANTABILITY, SATISFACTORY QUALITY AND FITNESS FOR A PARTICULAR PURPOSE. Please see the CERN OHL v.1.2 for applicable conditions

generationmake

Sheet: /

File: vidorbreakout.sch

Title: VidorBreakout

Size: A4 Date: 2020-02-29

Rev: 1.0

KiCad E.D.A. kicad 5.1.5-52549c584ubuntu18.04.1

Id: 1/1