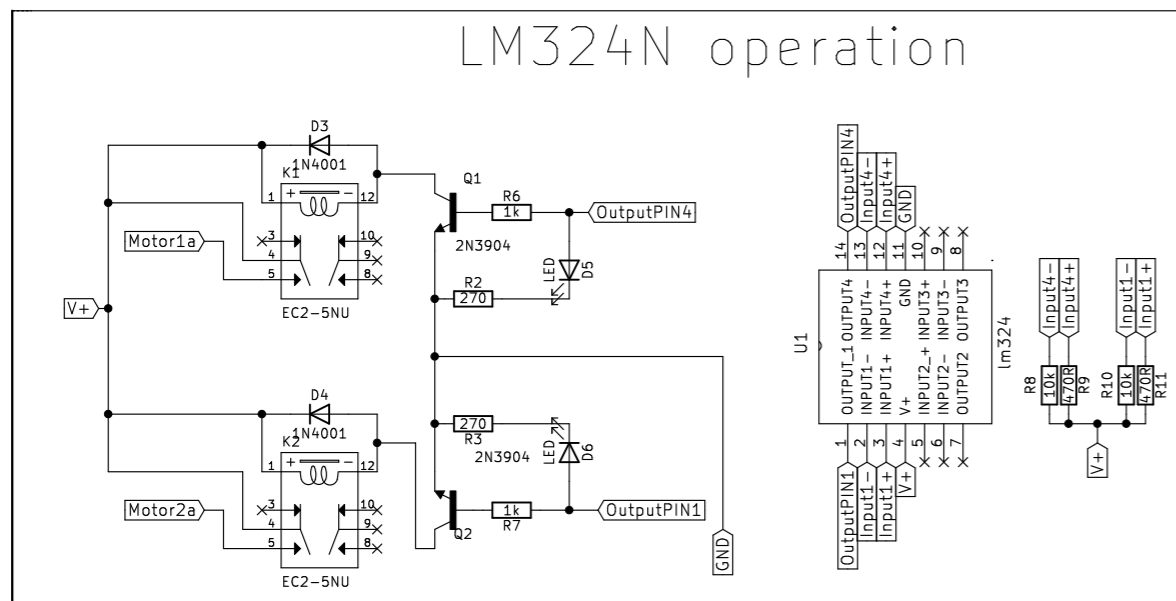
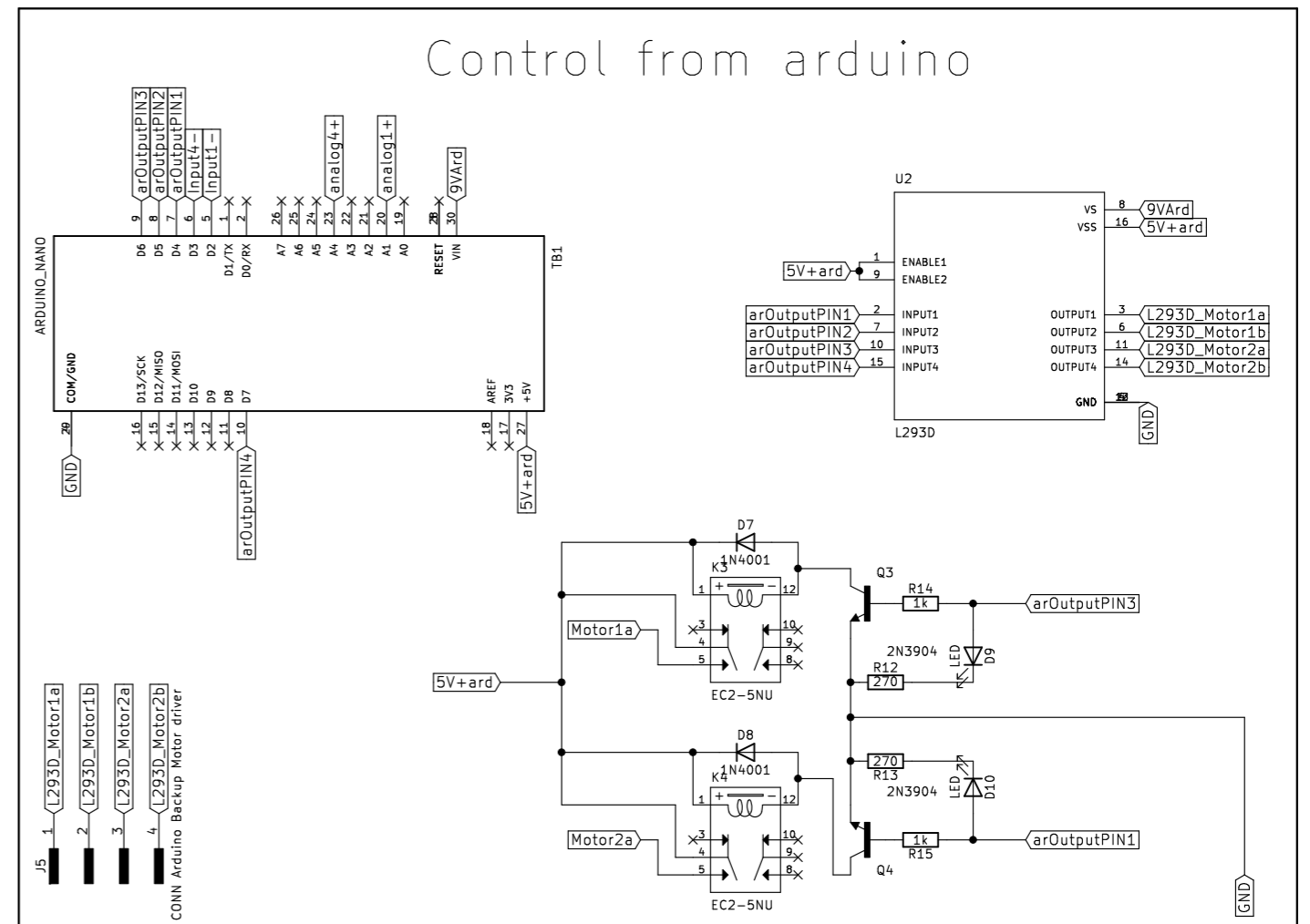
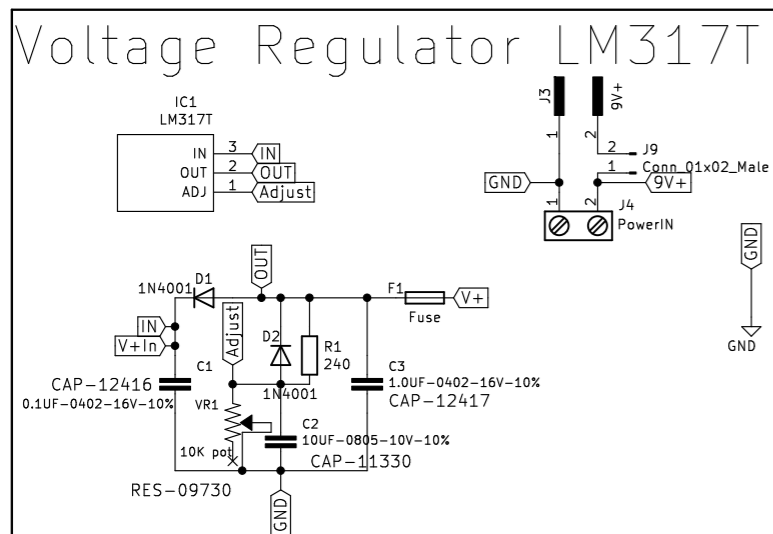
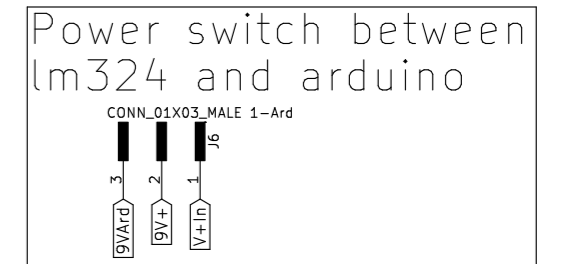
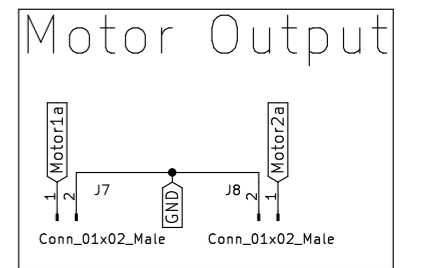


Lm324N circuit for simple line follower with backup circuit provided by arduino nano for 2 sensor input and 2 motors output.

By: Ajaya Dahal



Ajaya Dahal

Sheet: /
File: new schematics.sch

Title: LM324 line follower with arduino

Size: A3 Date: 2020-03-22

KiCad E.D.A. eeschema (5.1.5)-3

Rev: Rev 3.0

Id: 1/1