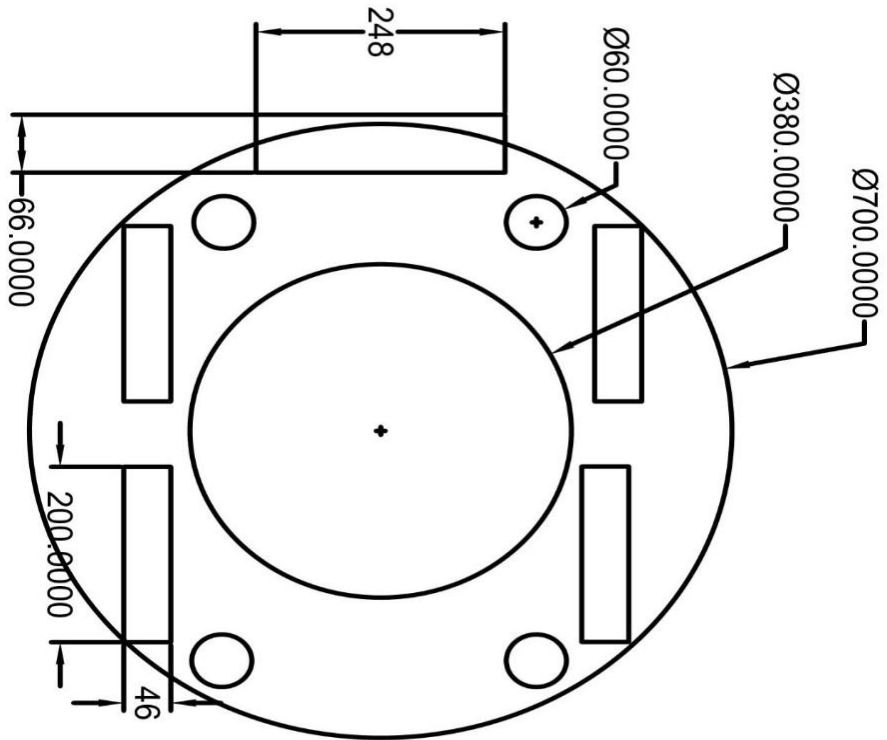
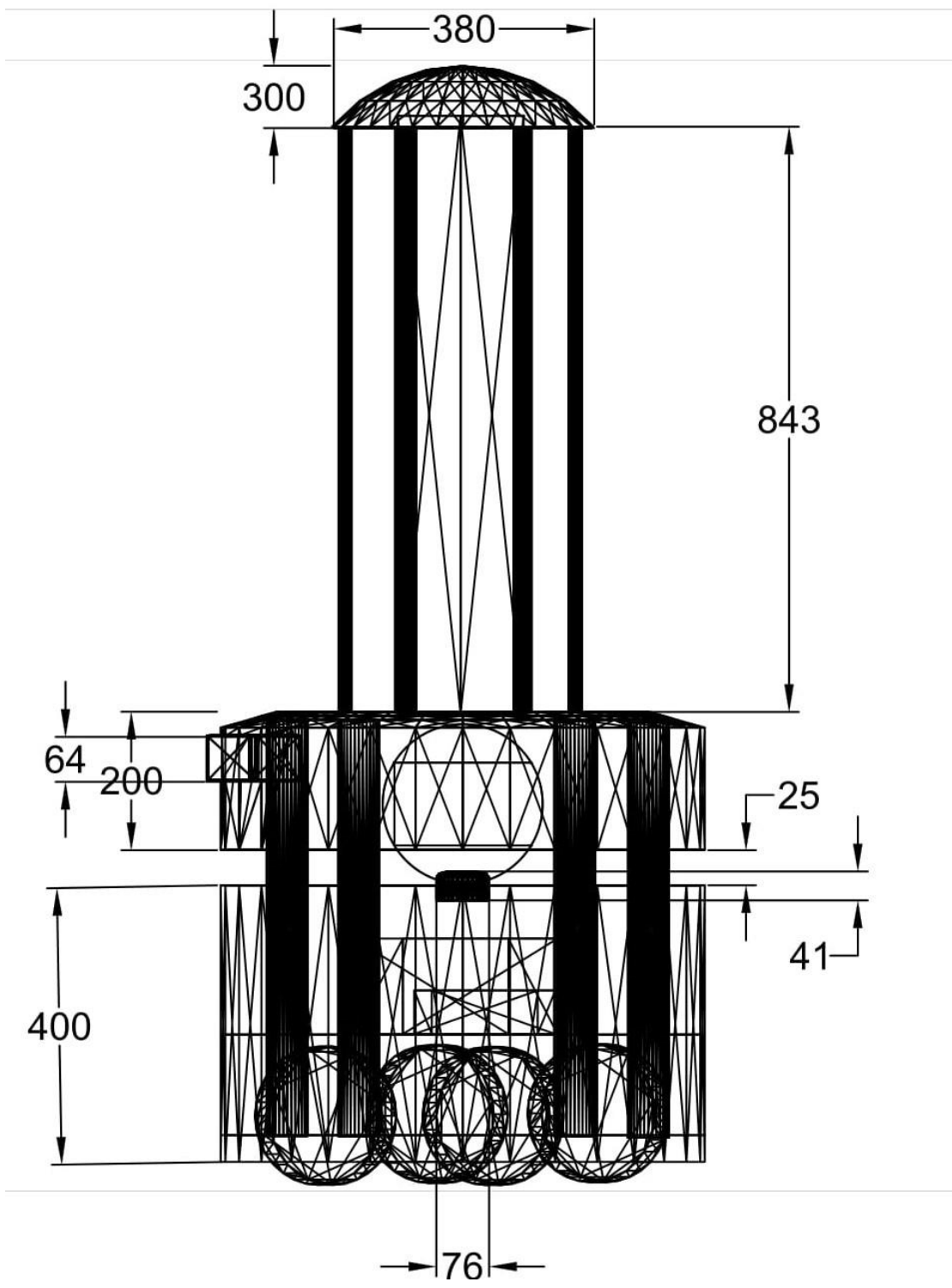


The Bottom View



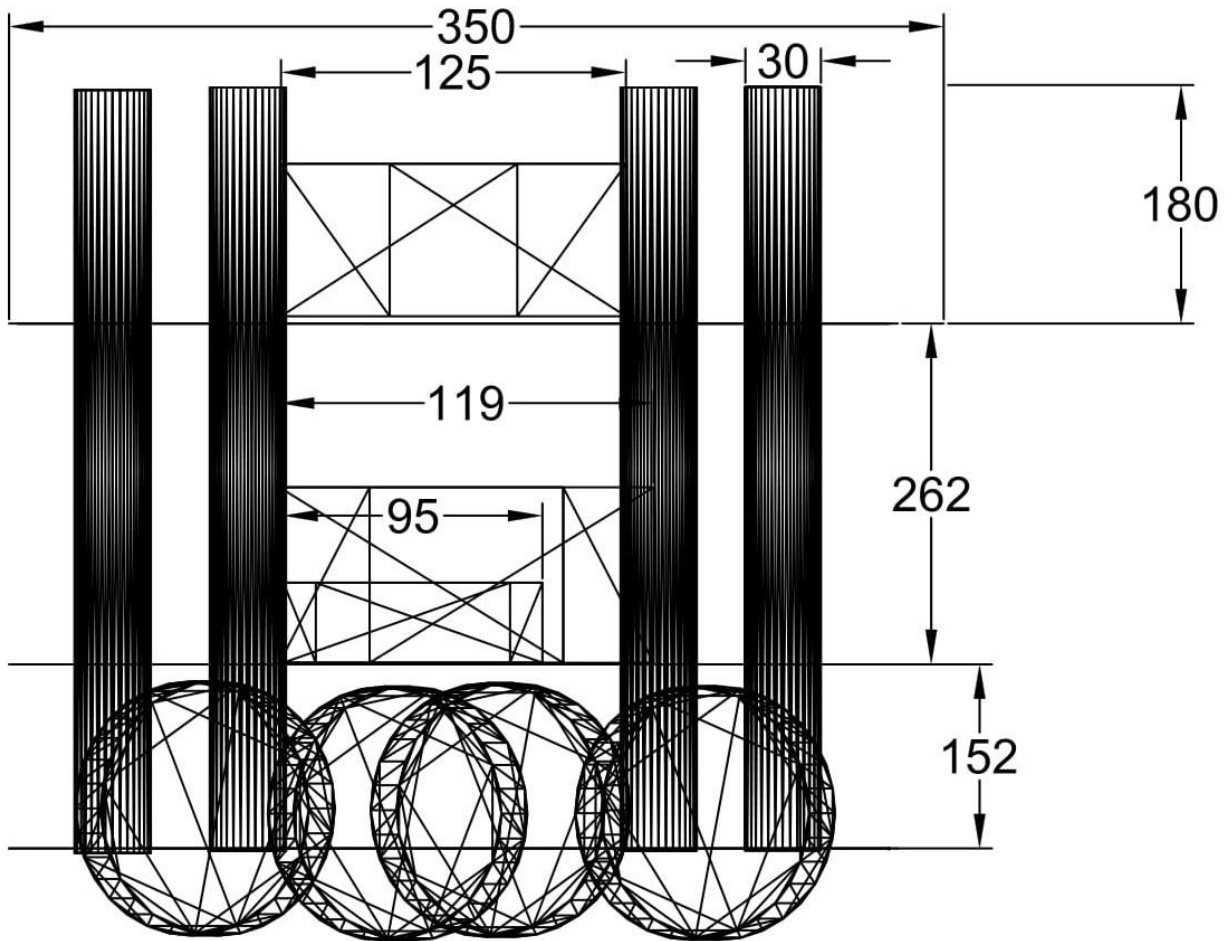
The Top View

\*All measurements in mm



The Side View

\*All measurements in mm



**The Side View of Internal Plates**

\*All measurements in mm