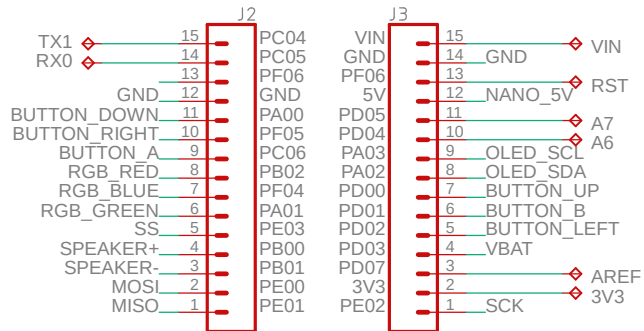
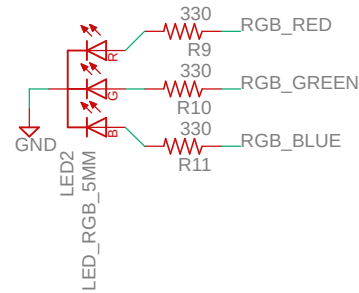


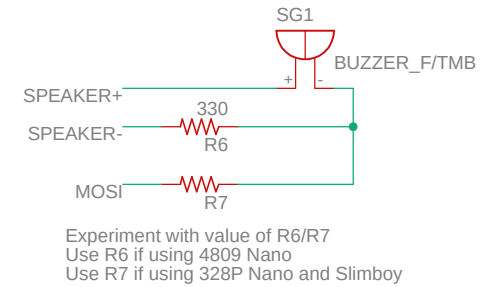
Arduino Nano Headers



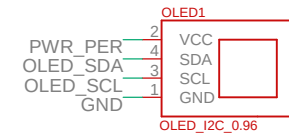
RGB LED



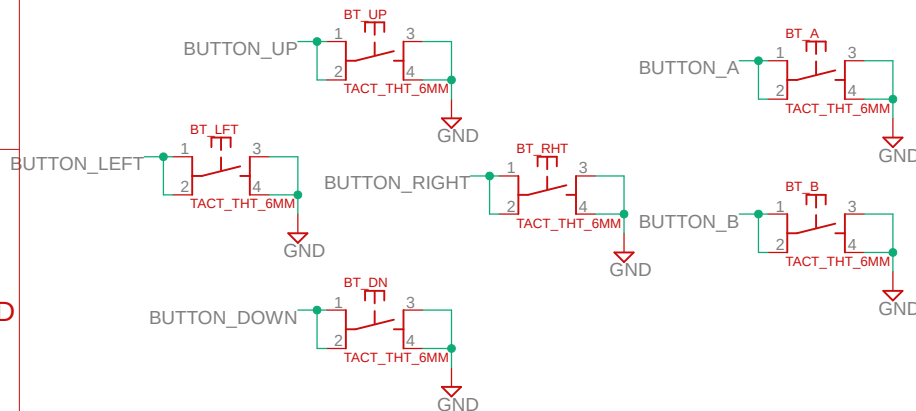
Buzzer



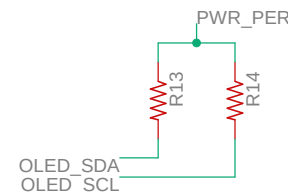
OLED Header



Buttons



Optional I2C Pullups



SPI Breakout Header

