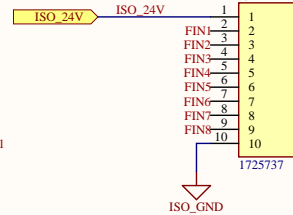
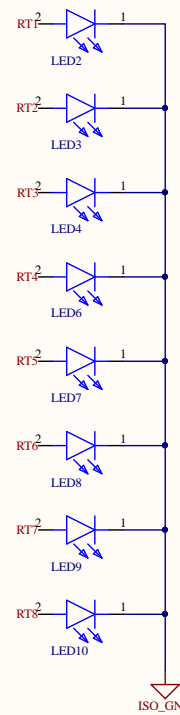


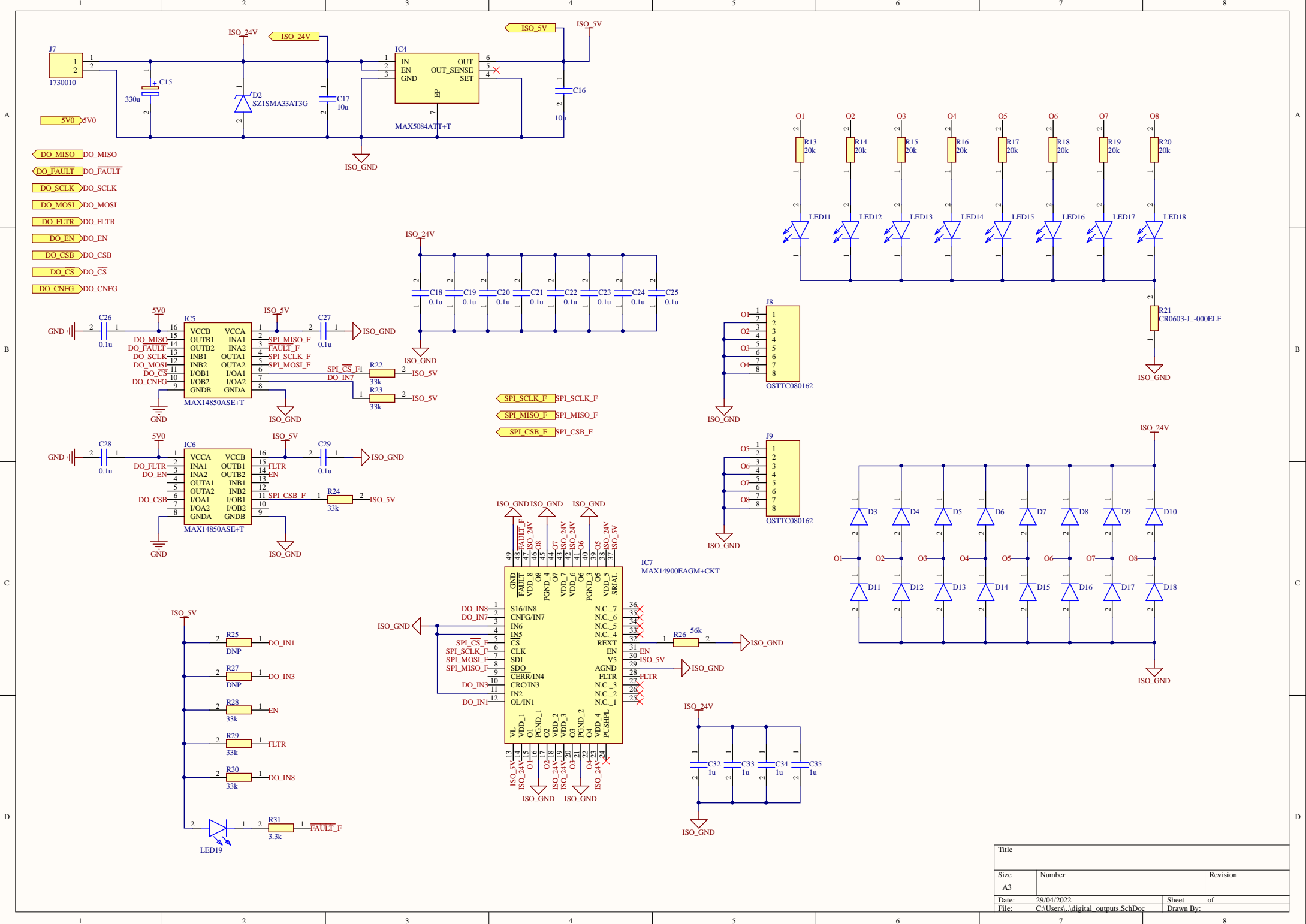
ISO_5V → ISO_5V



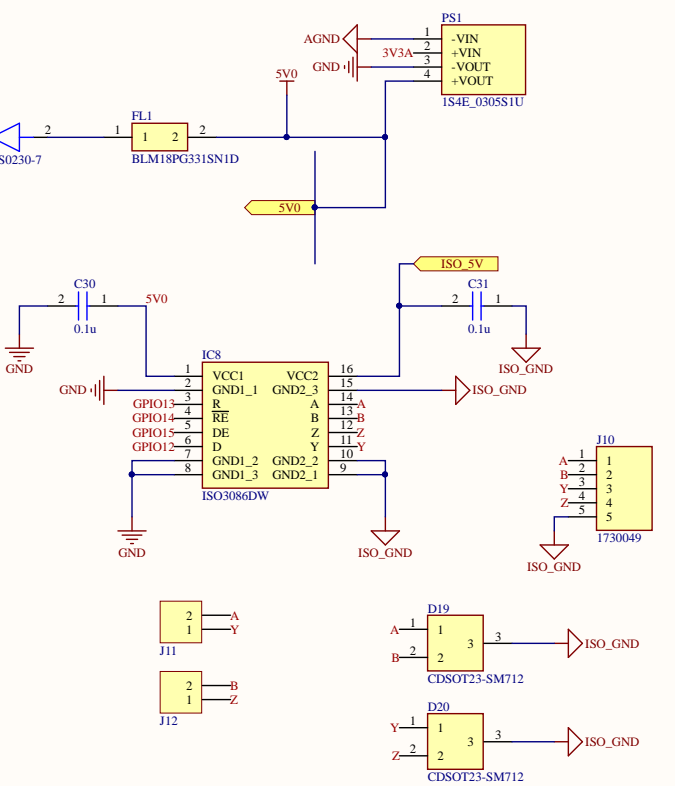
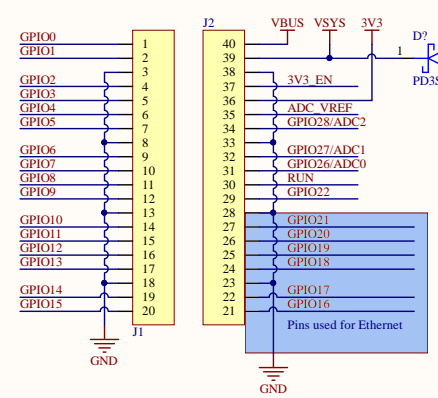
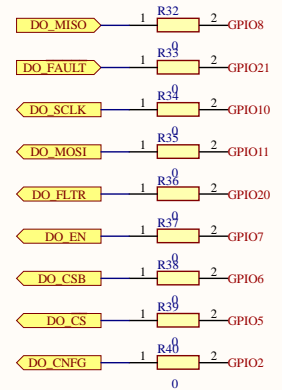
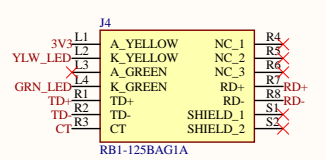
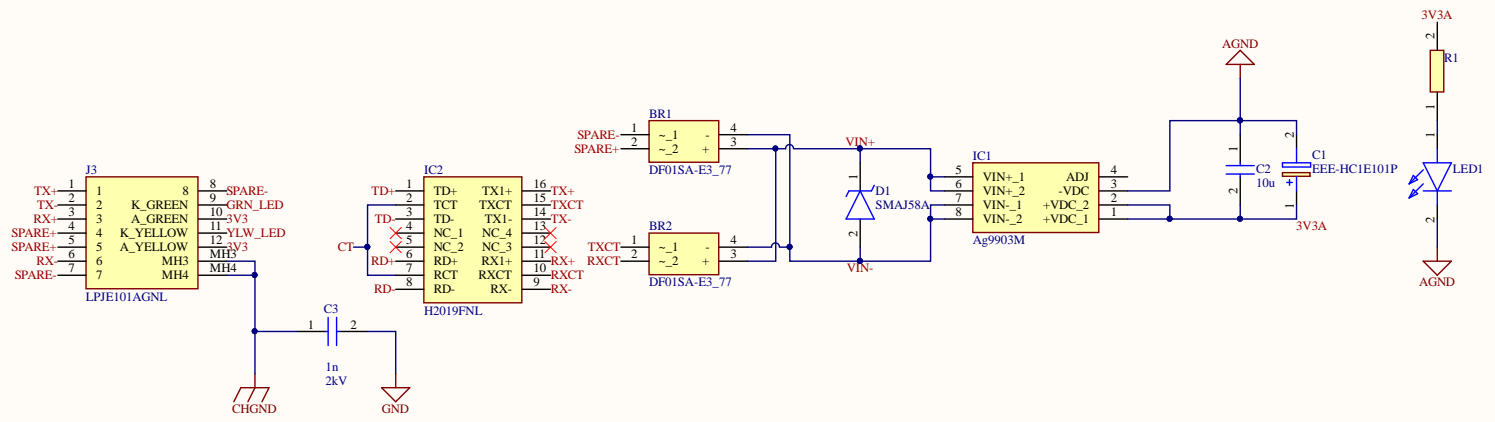
SPI_SCLK_F → SPI_SCLK_F
 SPI_MISO_F → SPI_MISO_F
 SPI_CS_B_F → SPI_CS_B_F



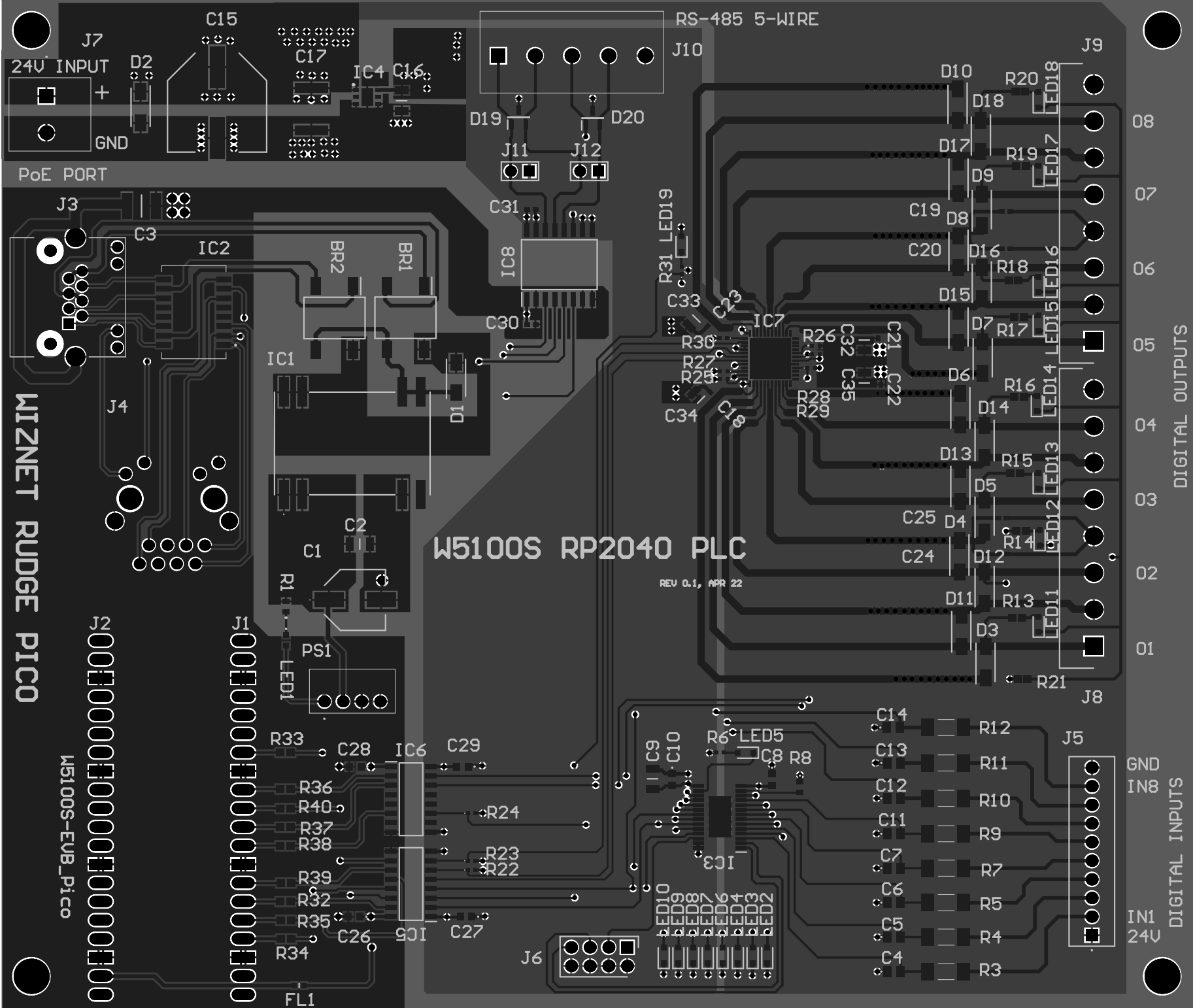
Title		
Size	Number	Revision
A3		
Date:	29/04/2022	Sheet of
File:	C:\Users\...digital_inputs.SchDoc	Drawn By:



Title		
Size	Number	Revision
A3		
Date:	29/04/2022	Sheet of
File:	C:\Users\digital_outputs\SchDoc	Drawn By:



Title		
Size	Number	Revision
A3		
Date:	29/04/2022	Sheet of
File:	C:\Users\...iplc_base.SchDoc	Drawn By:

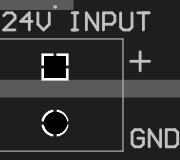


WIZNET RUDGE PICO

W5100S-EVB_Pico

W5100S RP2040 PLC

REV 0.1, APR 22



PoE PORT

RS-485 5-WIRE

DIGITAL INPUTS
IN1 24V
IN8 GND

DIGITAL OUTPUTS

01
02
03
04
05
06
07
08
J8
J9



Comment	Description	Designator	Footprint	LibRef	Quantity
DF01SA-E3_77	Bridge Rectifier	BR1, BR2	SOP510P1005X330-4	DF01SA-E3_77	
EEE-HC1E101P	Capacitor Polarised	C1	EEE0JA471UAP	EEE-HC1E101P	
1206B106K250NT	Capacitor	C2	CAPC3216X183N	1206B106K250NT	
C1812C102KGRACAU	Capacitor	C3	CAPC4532X155N	C1812C102KGRACAU	
C0805C102KMRECAL	Capacitor	C4, C5, C6, C7, C11,	C0805	C0805C102KMRECAL	
C0603X104K5RAC33	Capacitor	C8, C10, C26, C27, C	C0603	C0603X104K5RAC33	
CL31B475KPHNNNE	Capacitor	C9	CAPC3216X180N	CL31B475KPHNNNE	
EEE-FK1H331AQ	Capacitor Polarised	C15	EEEFK0J332AQ	EEE-FK1H331AQ	
C1206C106K8RACTU	Capacitor	C16	CAPC3216X180N	C1206C106K8RACTU	
C5750X7R1H106M23	Capacitor	C17	C5750_Commercial	C5750X7R1H106M23	
C0603X104K5RAC33	Capacitor	C18, C19, C20, C21,	RESC1005X55N	C0603X104K5RAC33	
C3216X7R1H105K	Capacitor	C32, C33, C34, C35	CAPC3216X180N	C3216X7R1H105K	
SMAJ58A	TVS Diode (Uni-direc	D1	DIOM5026X229N	SMAJ58A	
SZ1SMA33AT3G	TVS Diode (Uni-direc	D2	DIOM5226X220N	SZ1SMA33AT3G	
MURA205T3G	Diode	D3, D4, D5, D6, D7,	DIOM5226X220N	MURA205T3G	
CDSOT23-SM712	Diode	D19, D20	SOT95P230X117-3N	CDSOT23-SM712	
PD3S0230-7	Schottky Diode	D?	PD3S02307	PD3S0230-7	
BLM18PG331SN1D	Filter	FL1	BLM18AG102BH1D	BLM18PG331SN1D	
Ag9903M	Integrated Circuit	IC1	Ag9903M	Ag9903M	
H2019FNL	Integrated Circuit	IC2	H2019FNL	H2019FNL	
MAX31912AUI+	Integrated Circuit	IC3	SOP65P638X110-29N	MAX31912AUI+	
MAX5084ATT+T	Integrated Circuit	IC4	SON95P300X300X80	MAX5084ATT+T	
MAX14850ASE+T	Integrated Circuit	IC5, IC6	SOIC127P600X175-1	MAX14850ASE+T	
MAX14900EAGM+CK	Integrated Circuit	IC7	QFN50P700X700X90	MAX14900EAGM+CK	
ISO3086DW	Integrated Circuit	IC8	SOIC127P1030X265-	ISO3086DW	
2.54mm 1x20 Pin Hea	2.54mm 1x20 Pin Hea	J1, J2	IDC-1X20	2.54mm 1x20 Pin Hea	
LPJE101AGNL	Connector	J3	LPJE101AGNL	LPJE101AGNL	
RB1-125BAG1A	Connector	J4	RB1-125BAG1A	RB1-125BAG1A	
1725737	Connector	J5	1725737	1725737	
PH2-08-UA	Connector	J6	HDRV8W64P254_2X	PH2-08-UA	
1730010	Connector	J7	1730010	1730010	
OSTTC080162	Connector	J8, J9	RHDRRA8W100POX5	OSTTC080162	
1730049	Connector	J10	1730049	1730049	
header 0.1in Two con	Header, 2-Pin	J11, J12, J?	M20-9990246	Header 2	
HSMY-C197	LED	LED1	HSMYC197	HSMY-C197	
APA2106ZGCK	LED	LED2, LED3, LED4, L	LEDC2106X110N	APA2106ZGCK	
1S4E_0305S1U	Power Supply	PS1	1S4E_0305S1U	1S4E_0305S1U	
ERJ-3GEYJ221V	Resistor	R1	ERJ3EKF1000V	ERJ-3GEYJ221V	
MMB02070C2201FB2	Resistor	R3, R4, R5, R7, R9, R	MMB02070C2201FB2	MMB02070C2201FB2	
ERJ-2GEJ332X	Resistor	R6, R31	ERJ2RKD1004X	ERJ-2GEJ332X	
ERJ-PA3F1502V	Resistor	R8	ERJPO3_PA3_(0603)	ERJ-PA3F1502V	
R060320F02201V	Resistor	R32, R14, R15, R16,	R060320F02201V	R060320F02201V	