

1

2

3

4

A

A

B

B

C

C

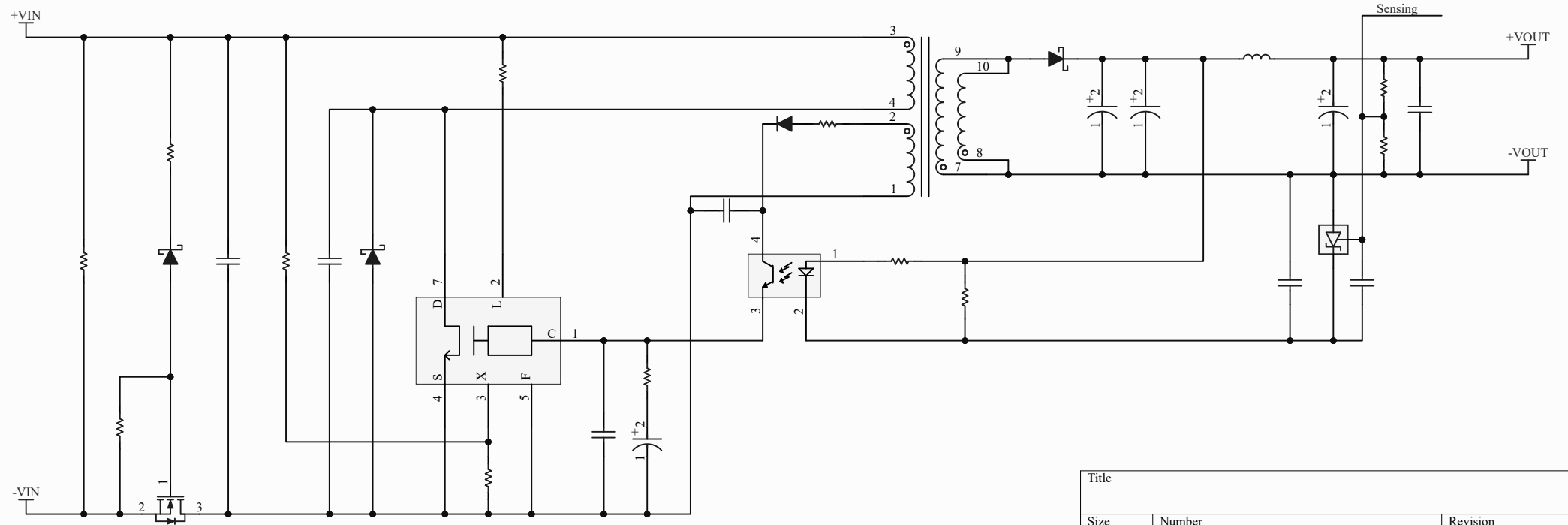
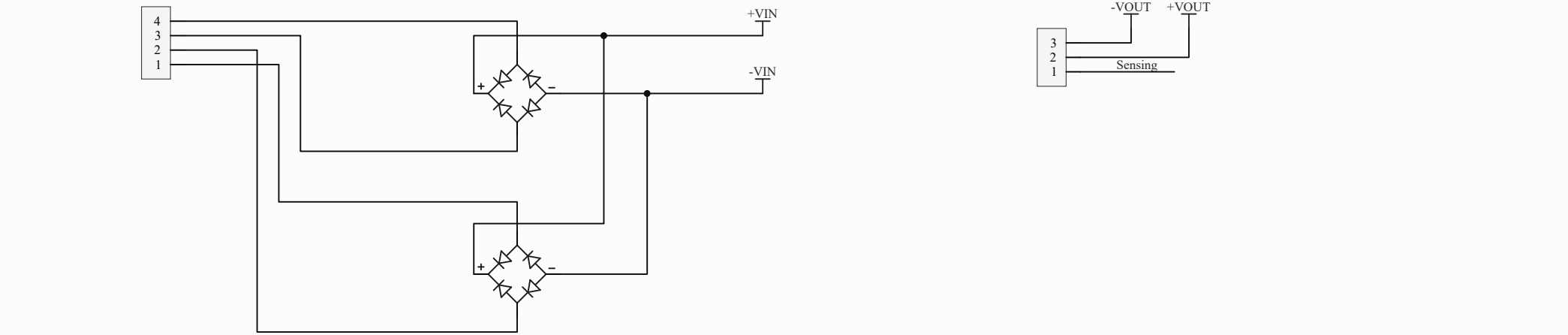
D

D



-VOUT +VOUT

Sensing



Title		
Size A4	Number	Revision
Date:	12-07-2022	Sheet of
File:	D:\Altium\...\PoE Flyback.SchDoc	Drawn By:

1

2

3

4