

4.power_distro
File: 4.power_distro.kicad_sch

8.fsmc_lcd_connector
File: 8.fsmc_lcd_connector.kicad_sch

9.audio_codec
File: 9.audio_codec.kicad_sch

6.onboard_device
File: 6.onboard_device.kicad_sch

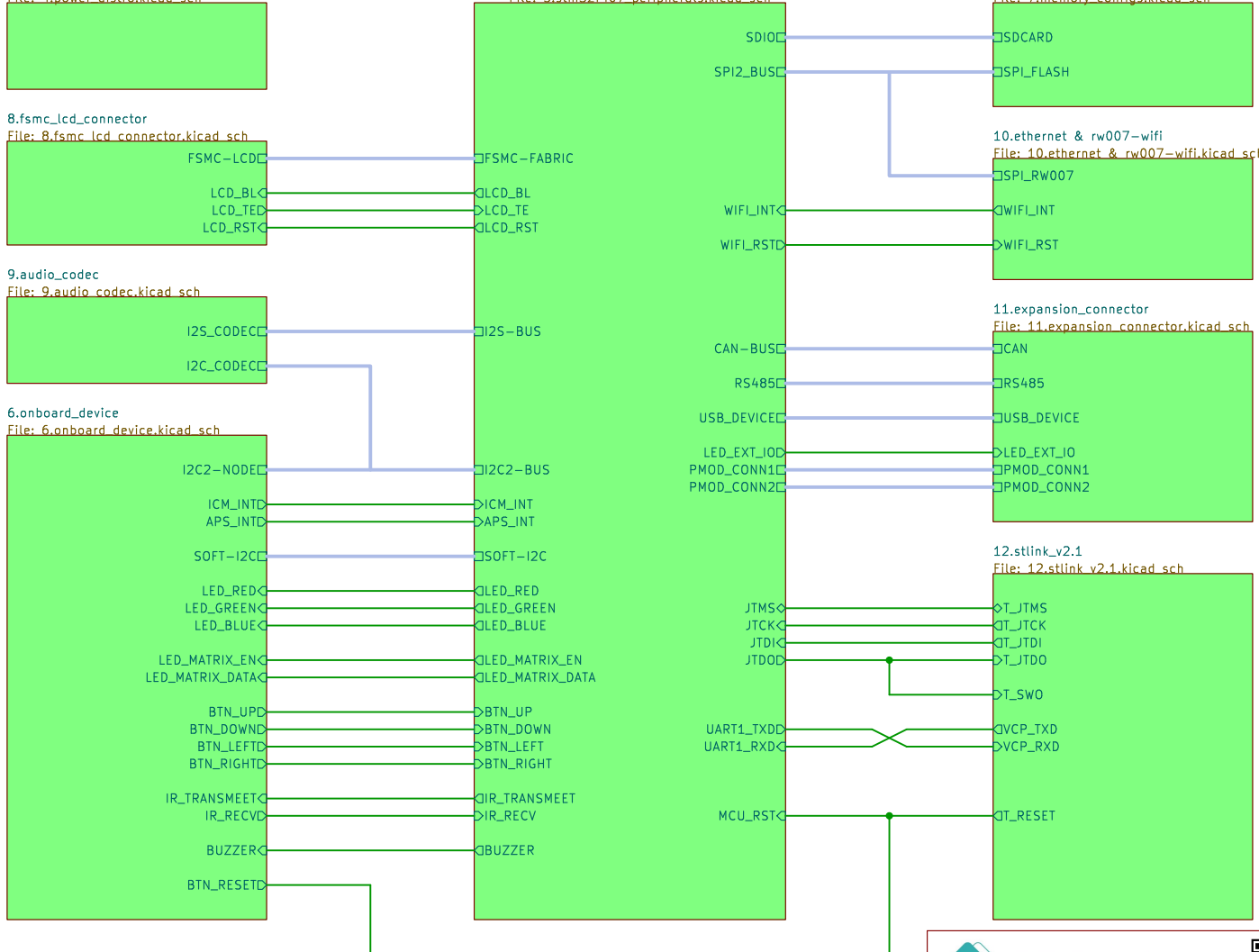
5.stm32f407_peripherals
File: 5.stm32f407_peripherals.kicad_sch

7.memory_configs
File: 7.memory_configs.kicad_sch

10.ethernet & rw007-wifi
File: 10.ethernet & rw007-wifi.kicad_sch

11.expansion_connector
File: 11.expansion_connector.kicad_sch

12.stlink_v2.1
File: 12.stlink_v2.1.kicad_sch



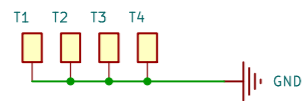
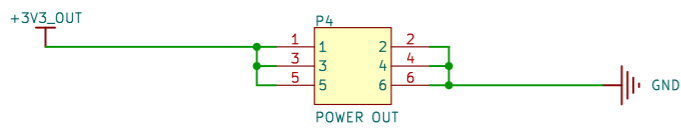
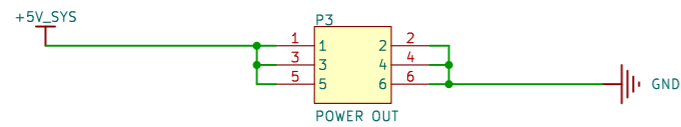
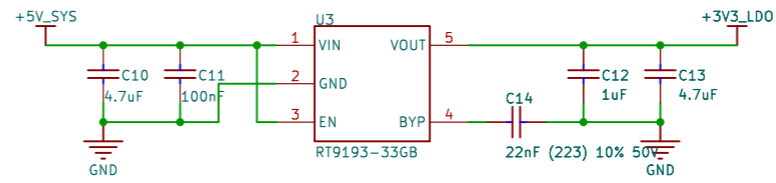
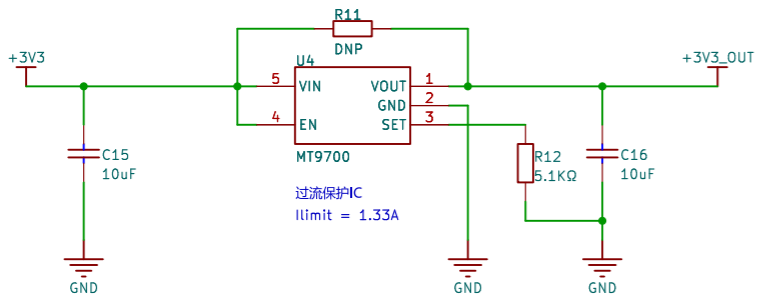
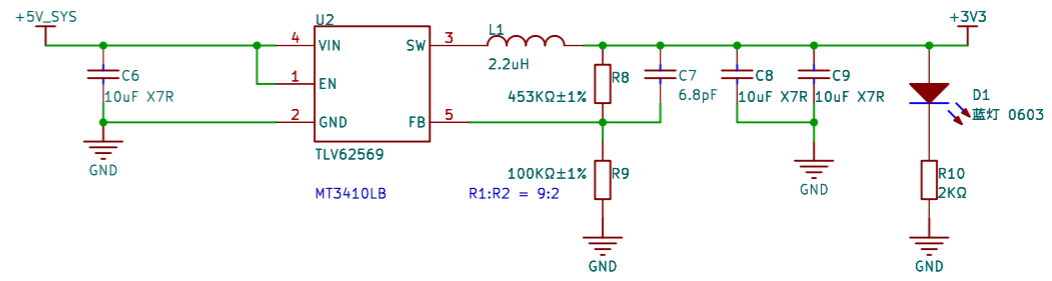
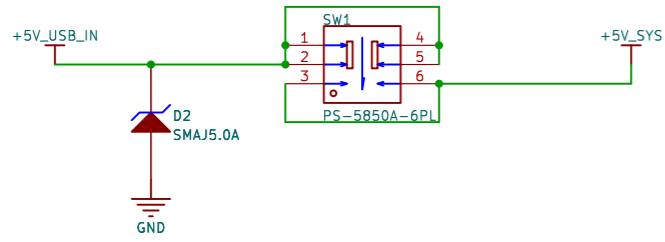
Author: StackYuan
www.rt-thread.org

Sheet: /
File: KiCad_HW1.11.kicad_sch

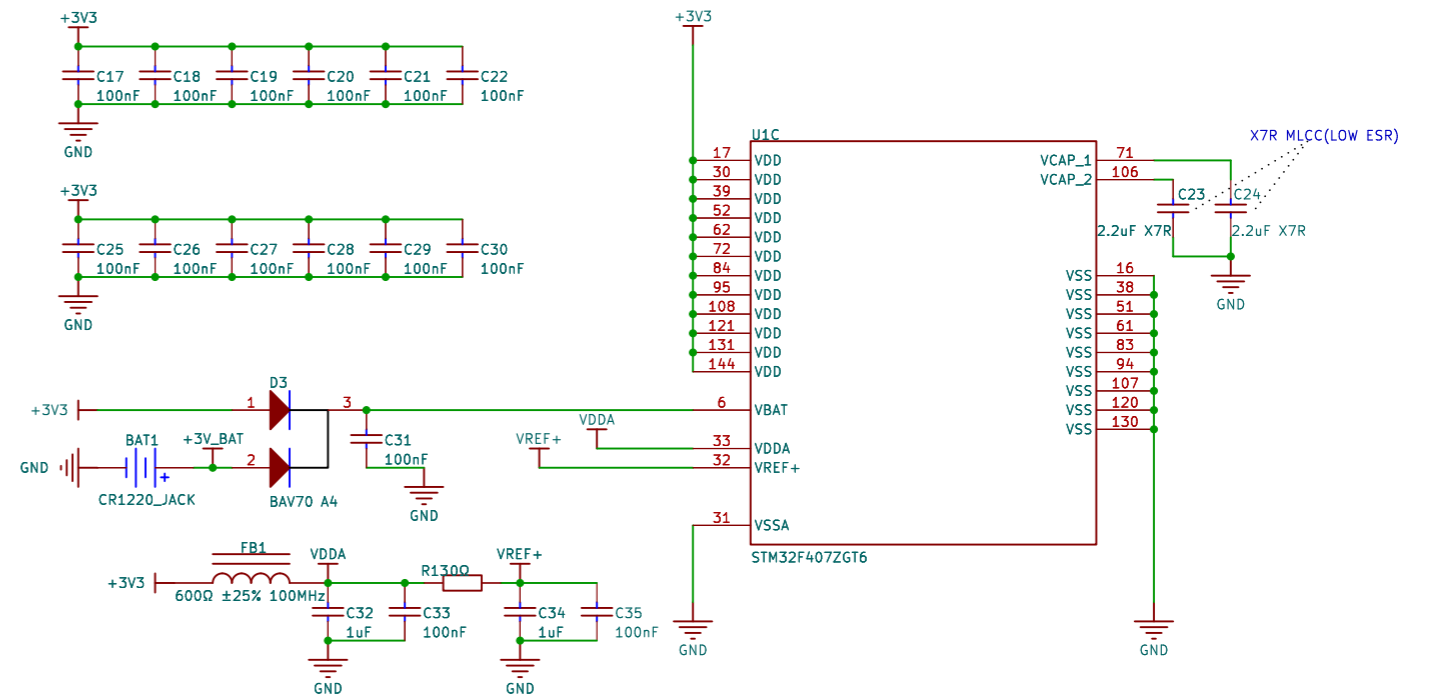
Title: Spark Arch

Size: A4 Date: 2023-06-10
KiCad E.D.A. eeschema 7.0.1

Rev: HW1.1
Id: 3/10



SMT1 SMT2 SMT3
SMT_MASK SMT_MASK SMT_MASK



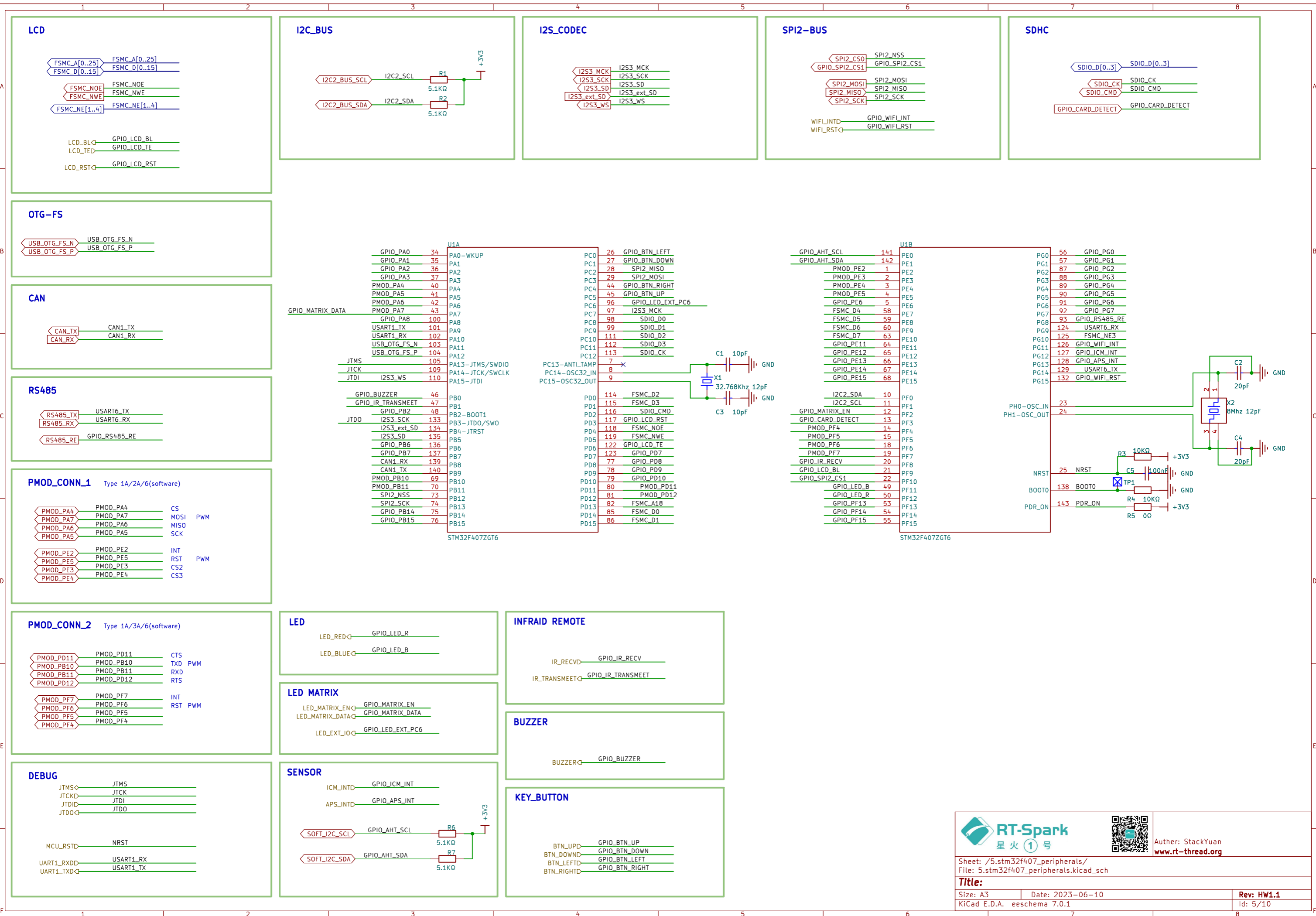



Author: StackYuan
www.rt-thread.org

Sheet: /4.power_distro/
File: 4.power_distro.kicad_sch

Title:

Size: A3	Date: 2023-06-10	Rev: HW1.1
KiCad E.D.A. eschema 7.0.1		Id: 4/10





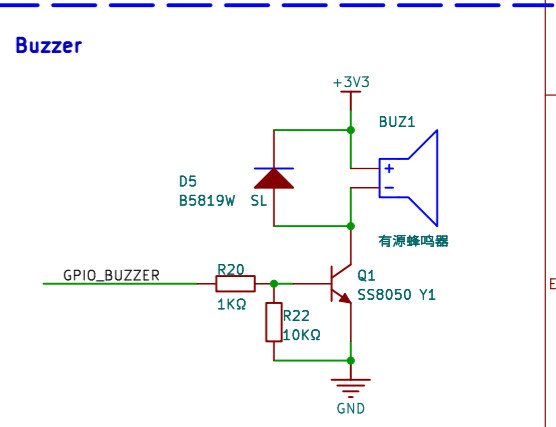
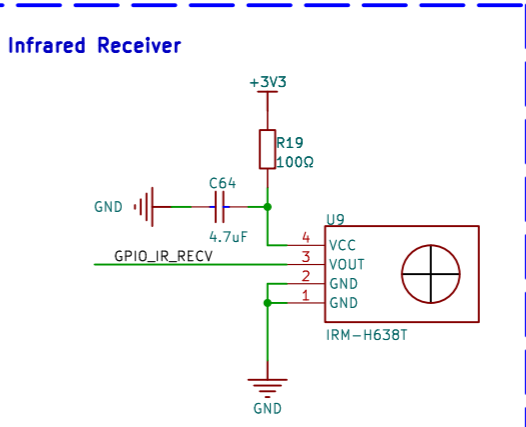
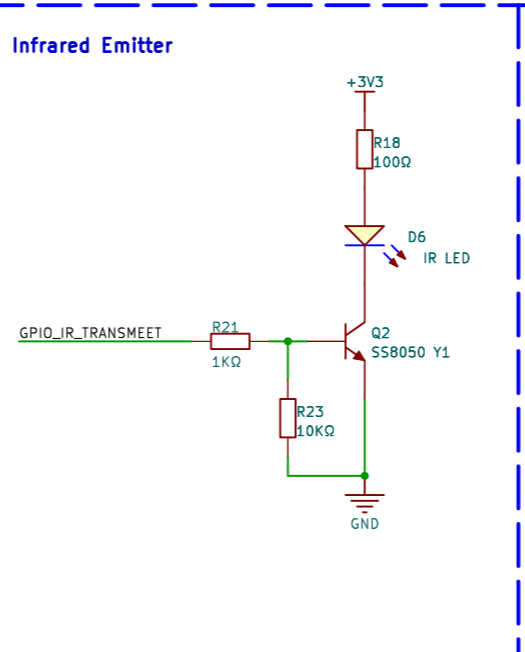
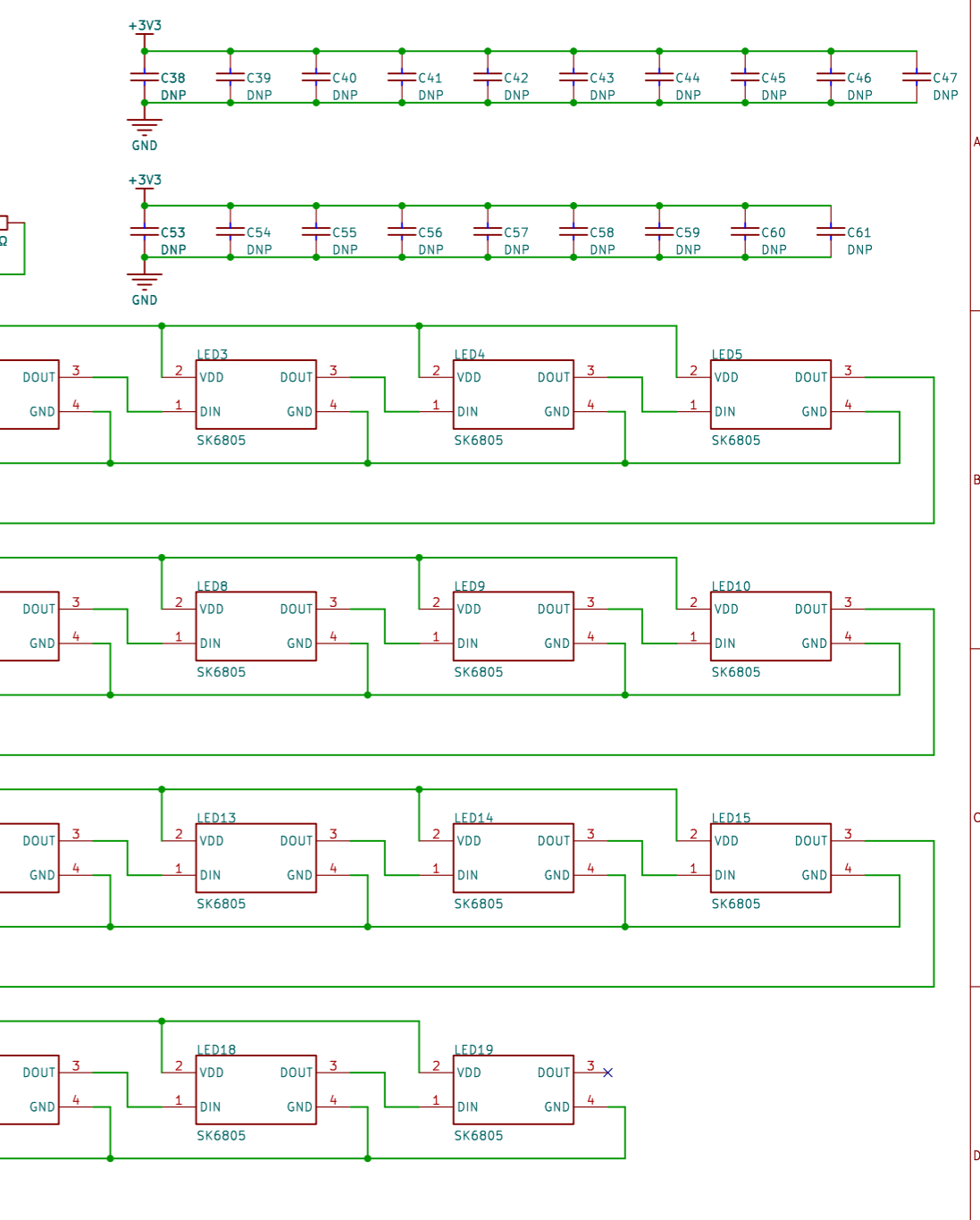
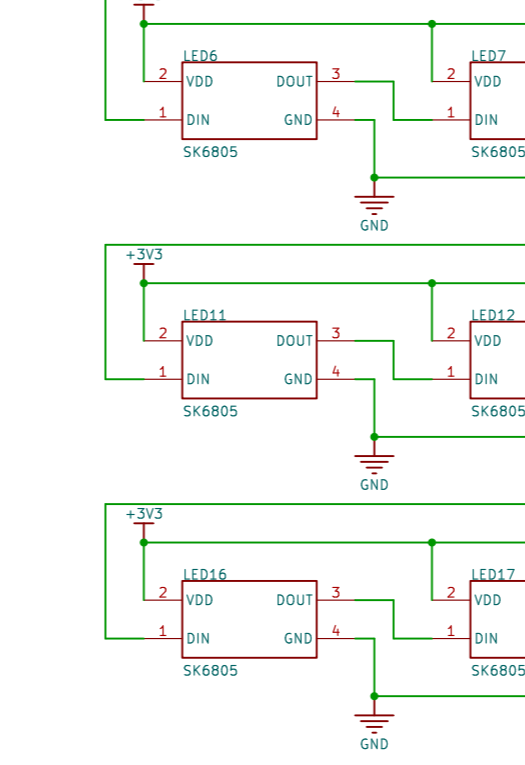
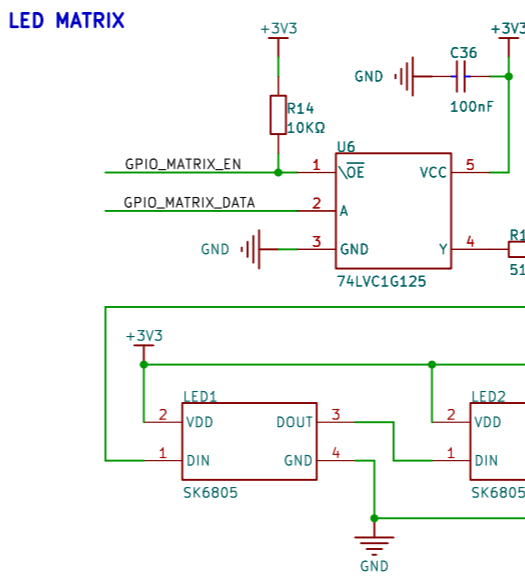
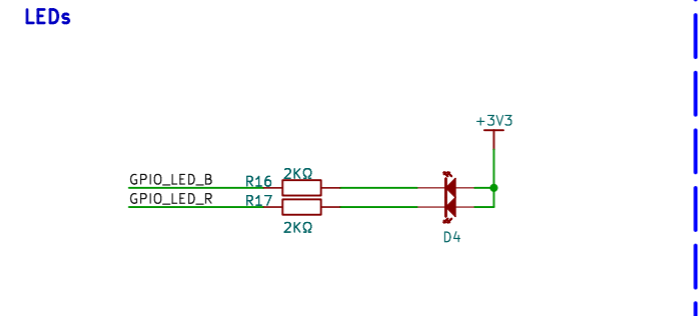
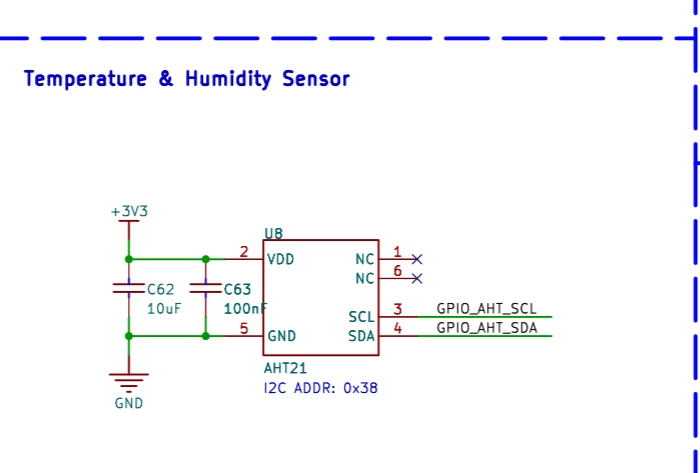
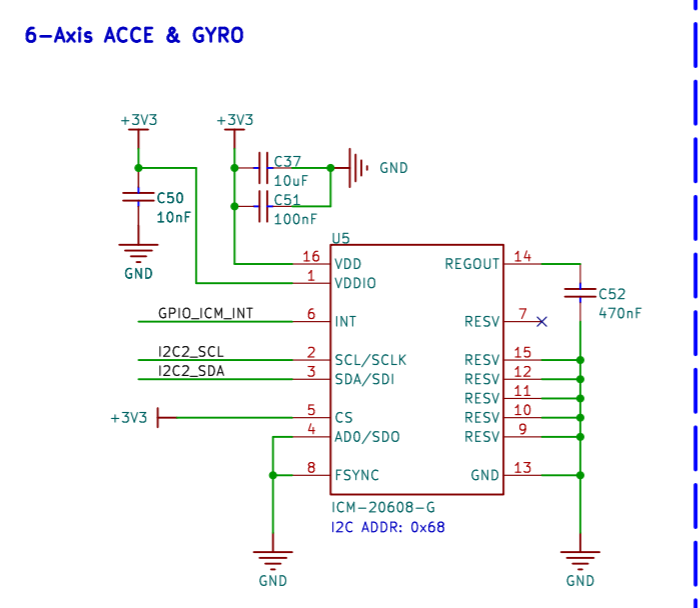
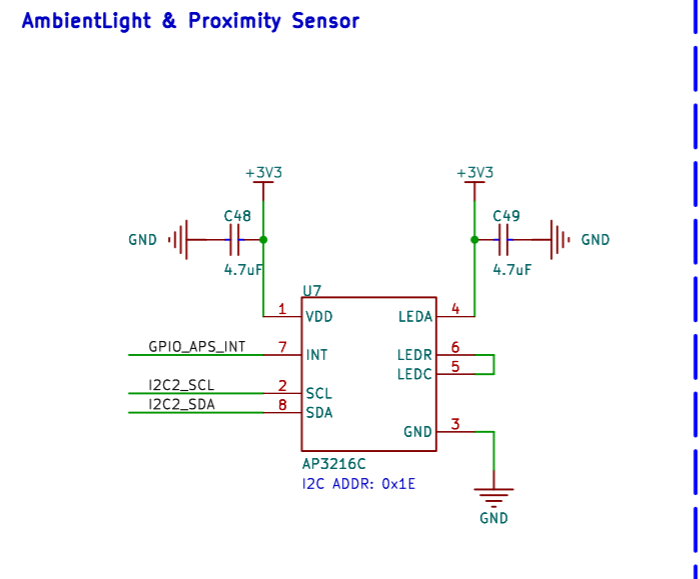
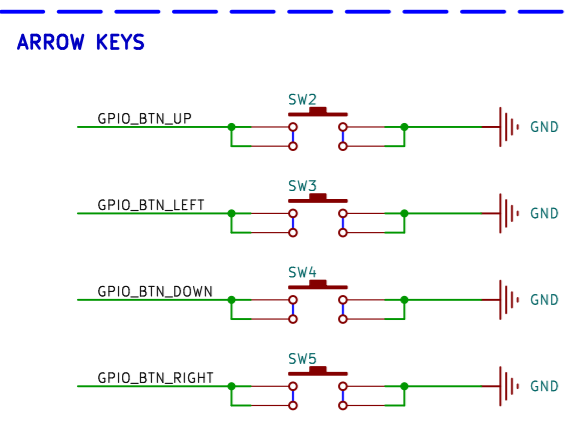
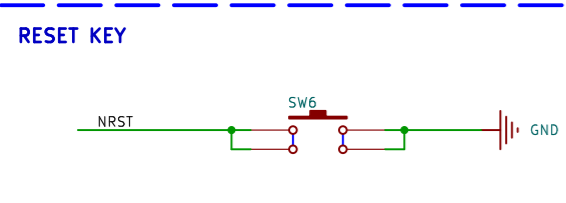
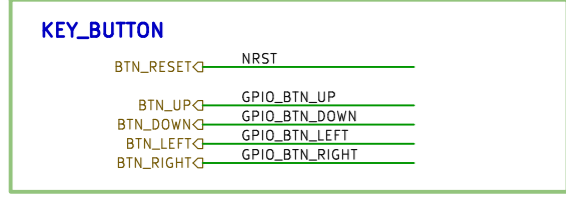
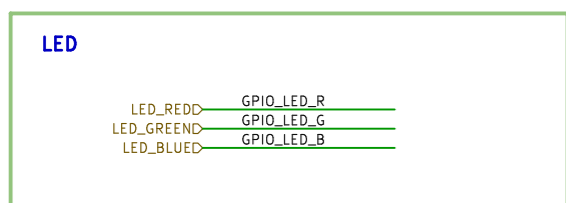
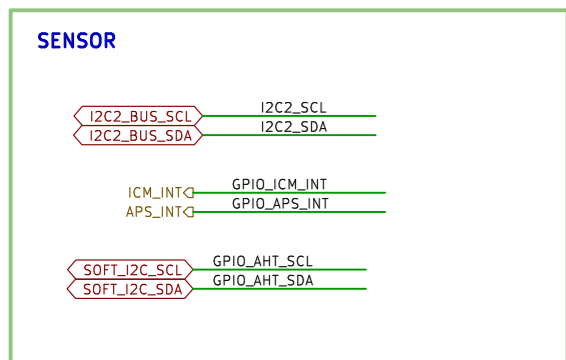
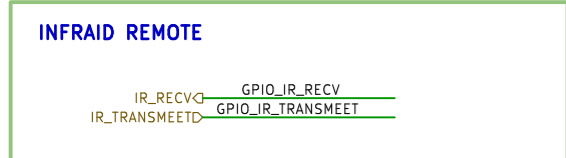
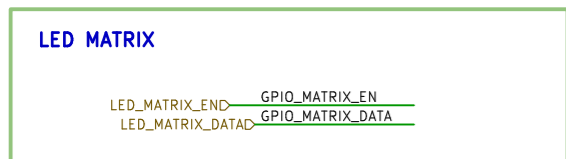
RT-Spark
星火 1 号



Author: StackYuan
www.rt-thread.org

Sheet: /5.stm32f407_peripherals/
File: 5.stm32f407_peripherals.kicad_sch

Title:		Rev: HW1.1
Size: A3	Date: 2023-06-10	
KiCad E.D.A. eschema 7.0.1		Id: 5/10



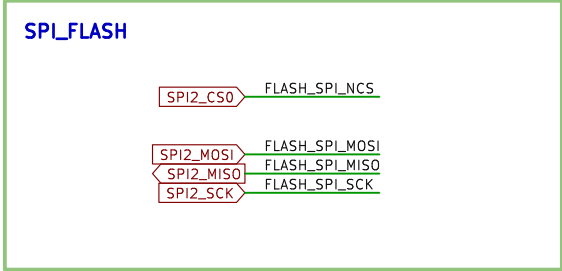
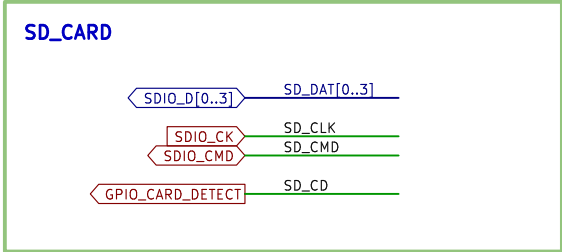
RT-Spark
星火 1 号

Author: StackYuan
www.rt-thread.org

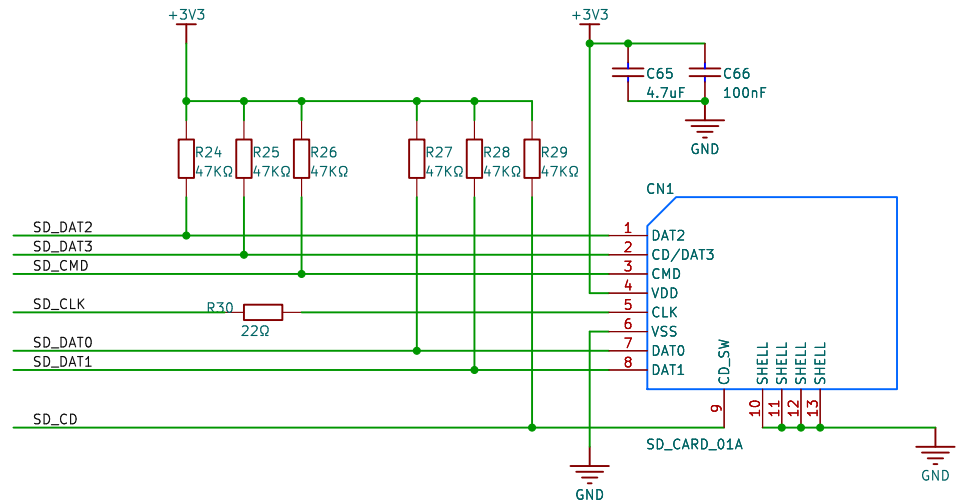
Sheet: /6.onboard_device/
File: 6.onboard_device.kicad_sch

Title: Onboard Device

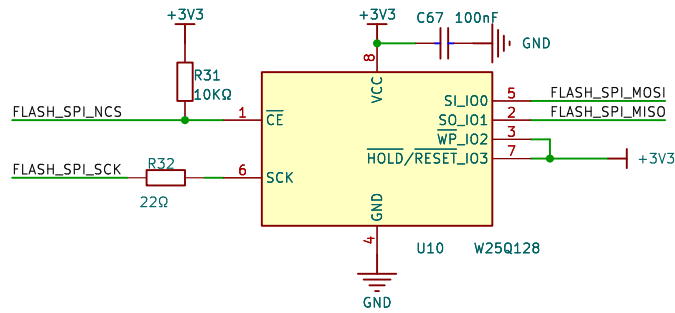
Size: A3 Date: 2023-06-10 Rev: HW1.1
KiCad E.D.A. eeschema 7.0.1 Id: 6/10



SD_CARD



SPI_FLASH





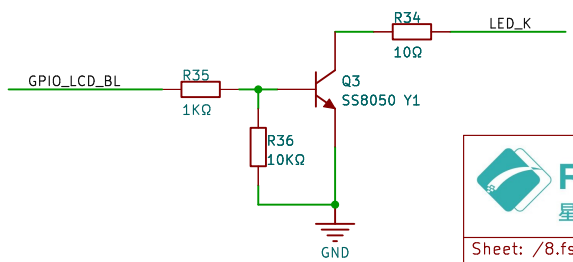
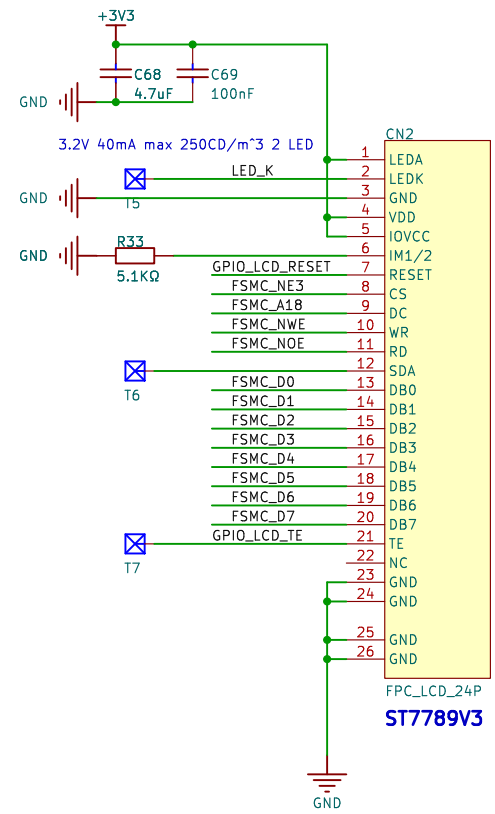
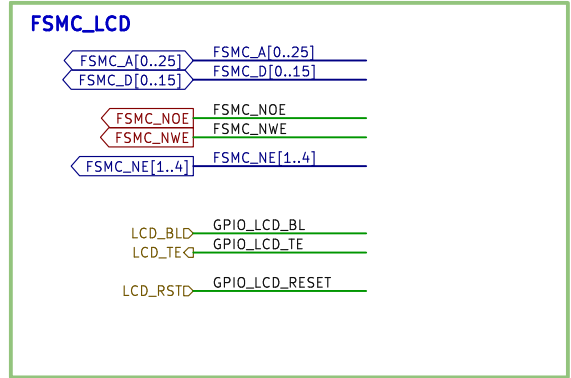

Author: StackYuan
www.rt-thread.org

Sheet: /7.memory_configs/
File: 7.memory_configs.kicad_sch

Title: Memory Configs

Size: A4	Date: 2023-06-10
KiCad E.D.A. eeschema 7.0.1	
Rev: HW1.1	
Id: 7/10	

1.3'
240x240pix LCD



Author: StackYuan
www.rt-thread.org

Sheet: /8.fsmc_lcd_connector/
File: 8.fsmc_lcd_connector.kicad_sch

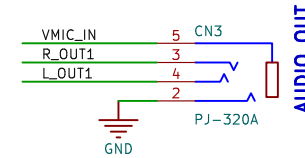
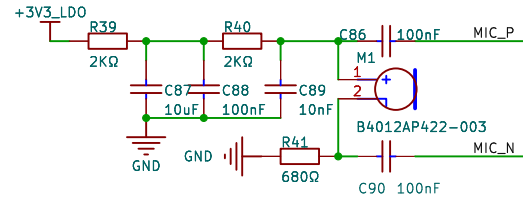
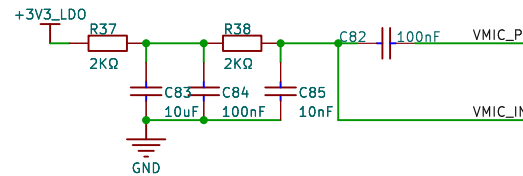
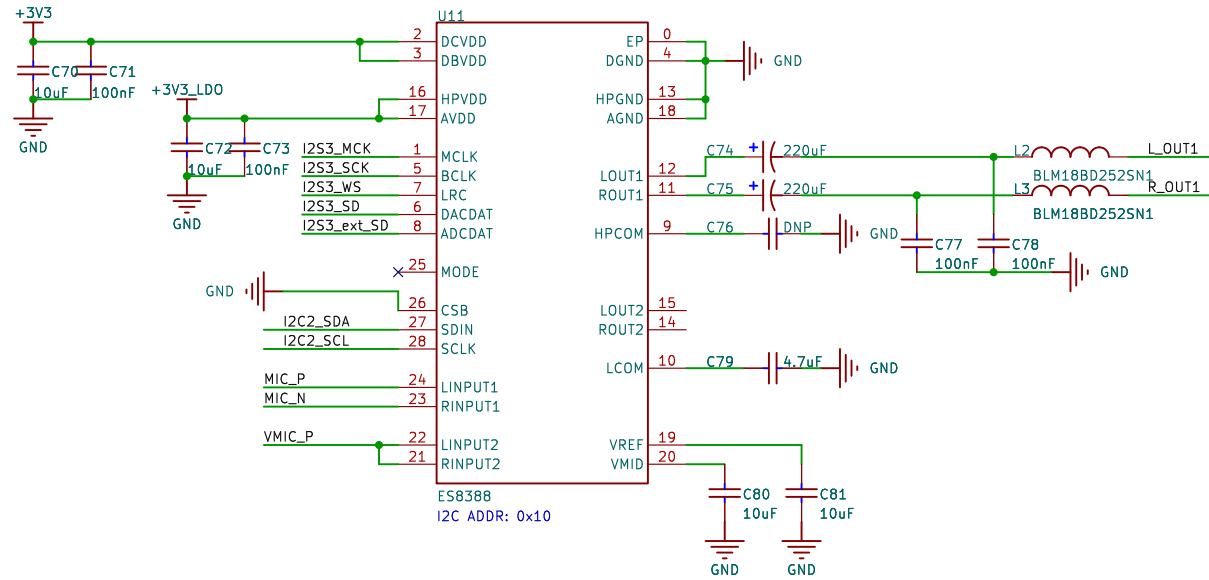
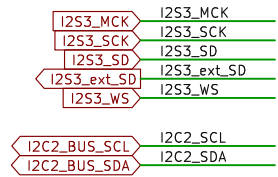
Title: FSMC_LCD

Size: A4 Date: 2023-06-10
KiCad E.D.A. eeschema 7.0.1

Rev: HW1.1
Id: 8/10

CODEC-AUDIO

I2S + I2C



Author: StackYuan
www.rt-thread.org

Sheet: /9.audio_codec/
 File: 9.audio_codec.kicad_sch

Title: Audio Codec

Size: A4 Date: 2023-06-10

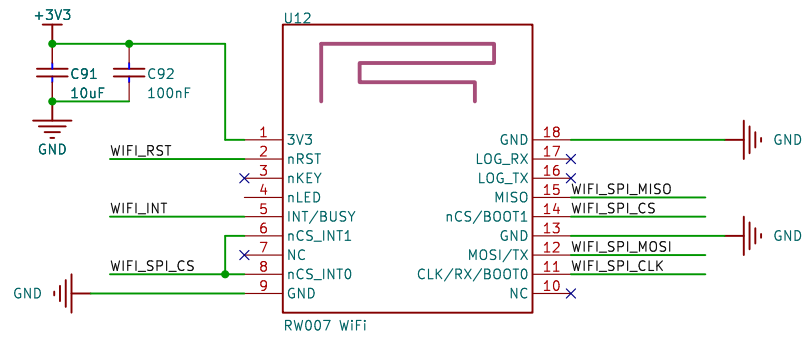
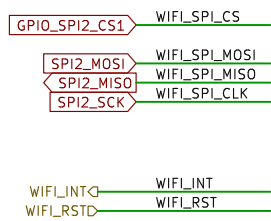
KiCad E.D.A. eeschema 7.0.1

Rev: HW1.1

Id: 9/10

Ethernet RW007

SPI RW007



Author: StackYuan
www.rt-thread.org

Sheet: /10.ethernet & rw007-wifi/
 File: 10.ethernet & rw007-wifi.kicad_sch

Title: RW007 Wi-Fi

Size: A4 Date: 2023-06-10

KiCad E.D.A. eeschema 7.0.1

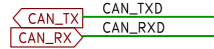
Rev: HW1.1

Id: 10/10

USB-DEVICE-FS



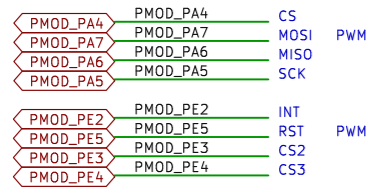
CAN



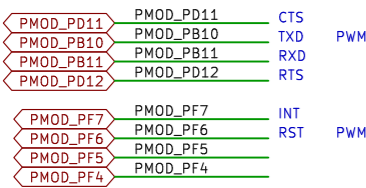
RS485



PMOD_CONN_1 Type 1A/2A/6(software)



PMOD_CONN_2 Type 1A/3A/6(software)



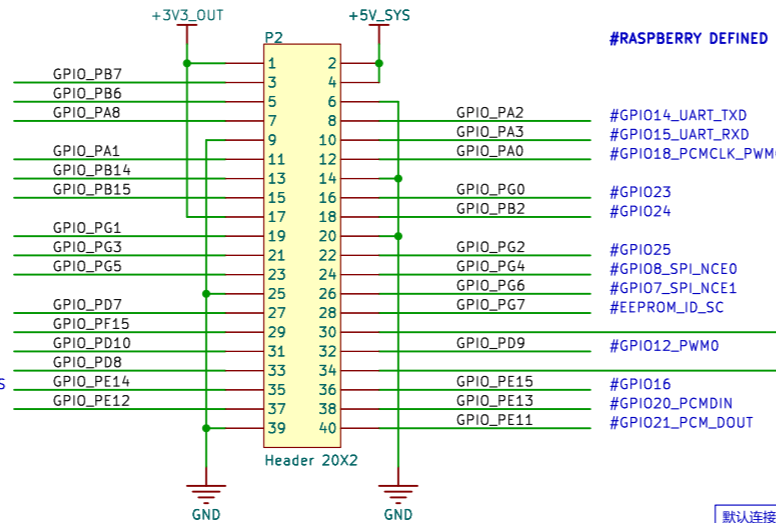
ADD-GEN Serial Addressed LED



RSAPBERRY CONN

#RASPBBERRY DEFINED

#GPIO2_I2C_SDA1
#GPIO3_I2C_SCL1
#GPIO4_GCLK
#GPIO17
#GPIO27
#GPIO22
#GPIO10_SPL_MOSI
#GPIO9_SPL_MISO
#GPIO11_SPL_SCLK
#EEPROM_ID_SD
#GPIO5
#GPIO6
#GPIO13_PWM1
#GPIO19_PWM1_PCMFS
#GPIO26

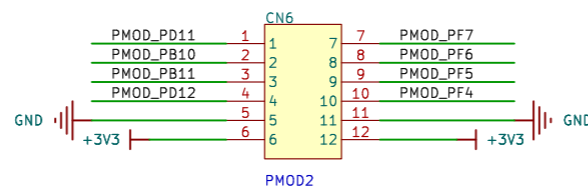


#RASPBBERRY DEFINED

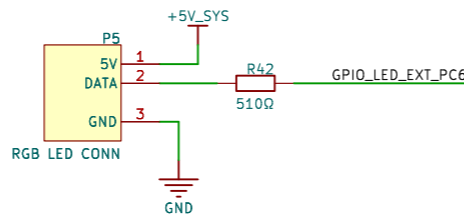
#GPIO14_UART_TXD
#GPIO15_UART_RXD
#GPIO18_PCMCLK_PWM0
#GPIO23
#GPIO24
#GPIO25
#GPIO8_SPL_NCE0
#GPIO7_SPL_NCE1
#EEPROM_ID_SC
#GPIO12_PWM0
#GPIO16
#GPIO20_PCMDIN
#GPIO21_PCM_DOUT

默认连接J2/J4到GND, 可借助小刀等工具断开铜箔, 焊接J1/J3, 启用PF13/PF14.

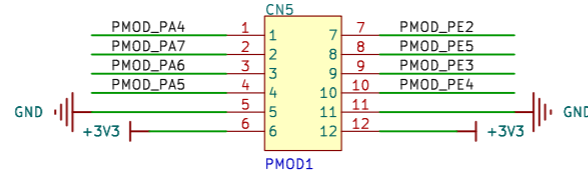
PMOD2 CONN



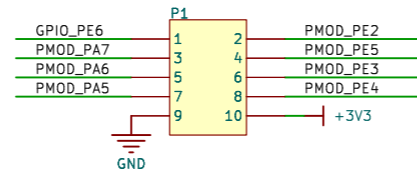
ADD-GEN LED CONN



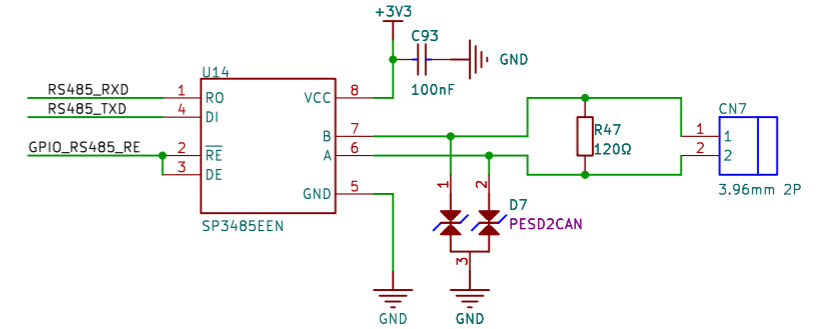
PMOD1 CONN



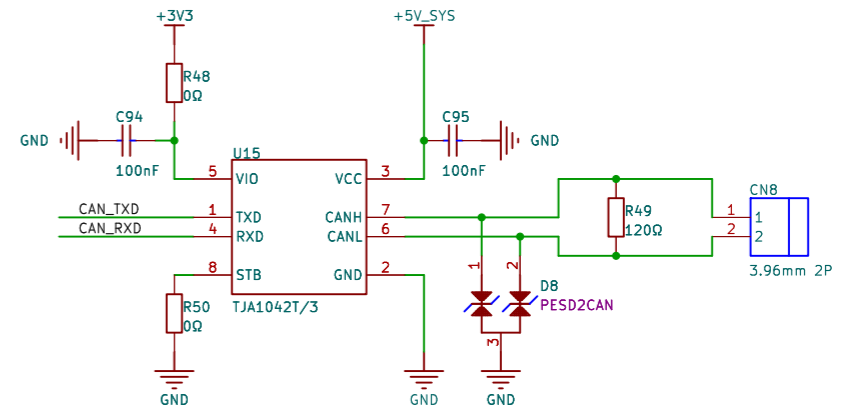
SPARK-10P SMD CONN



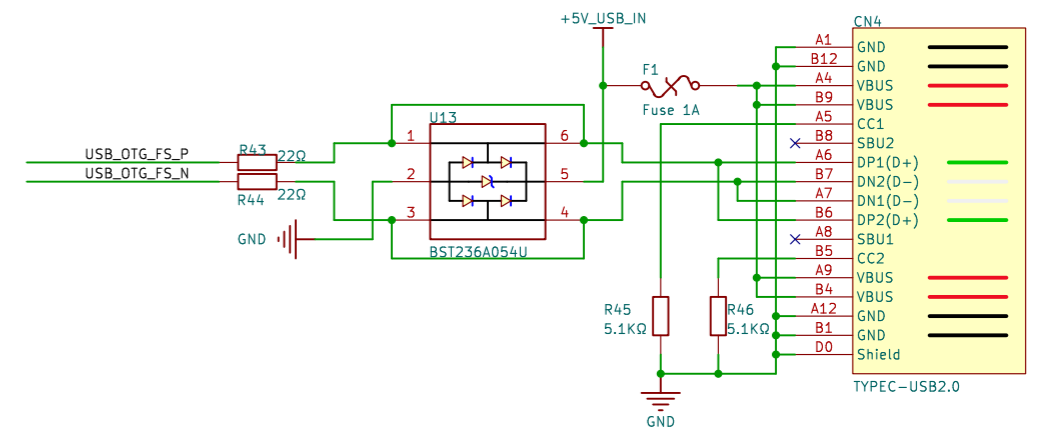
RS485



CAN



USB_DEVICE



Author: StackYuan
www.rt-thread.org

Sheet: /11.expansion_connector/
File: 11.expansion_connector.kicad_sch

Title: Expansion Connector

Size: A3 Date: 2023-06-10
KiCad E.D.A. eeschema 7.0.1

Rev: HW1.1
Id: 11/10

