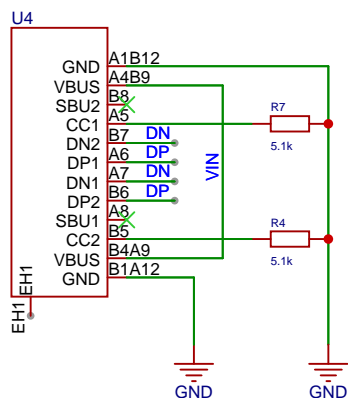
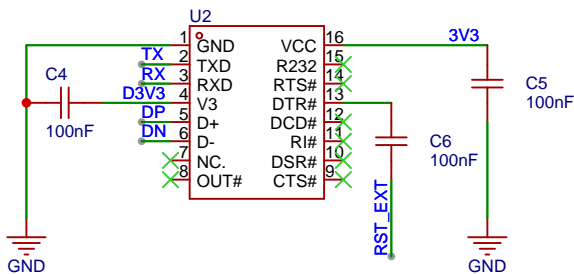


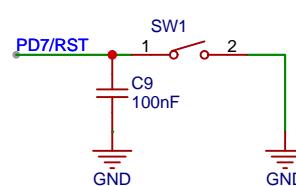
USB INPUT



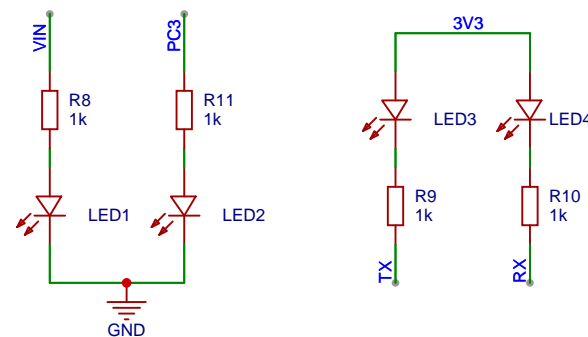
USB TO TTL



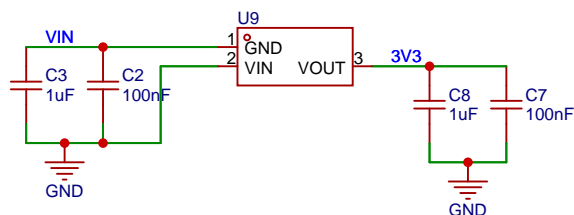
RESET



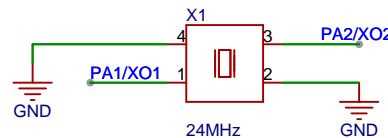
INDICATORS



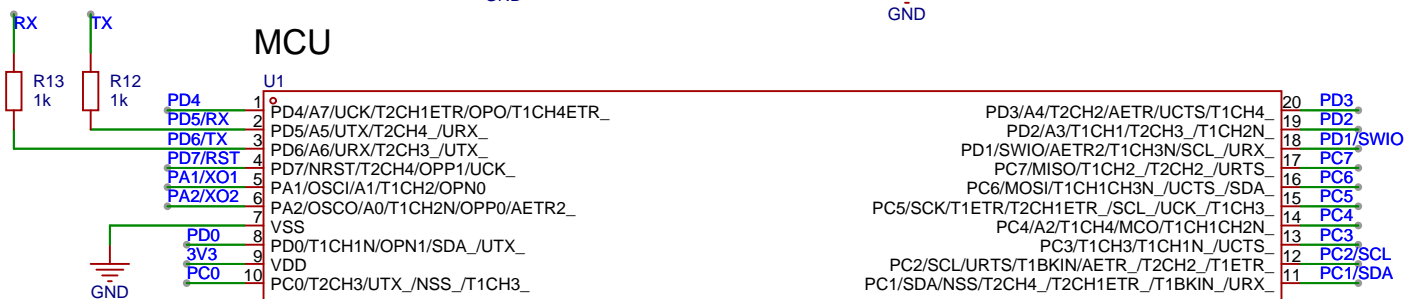
LDO



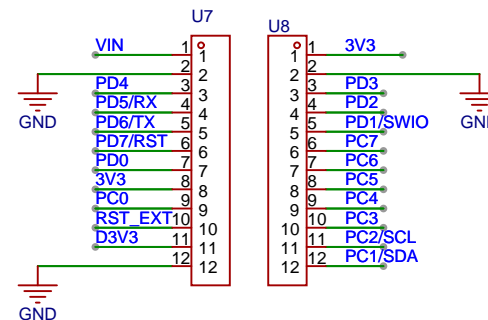
CRYSTAL



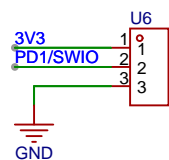
MCU



GPIO's



PROGRAMMING



Schematic	Schematic1			Create at	2025-12-25
Board	Board1			Update at	2026-05-21
Drawn				Page	P1
Reviewed				WCH32V003 HARDWARE	
	Version	Size	Page 1 Total 1		
		V1.0	A4	EasyEDA.com	