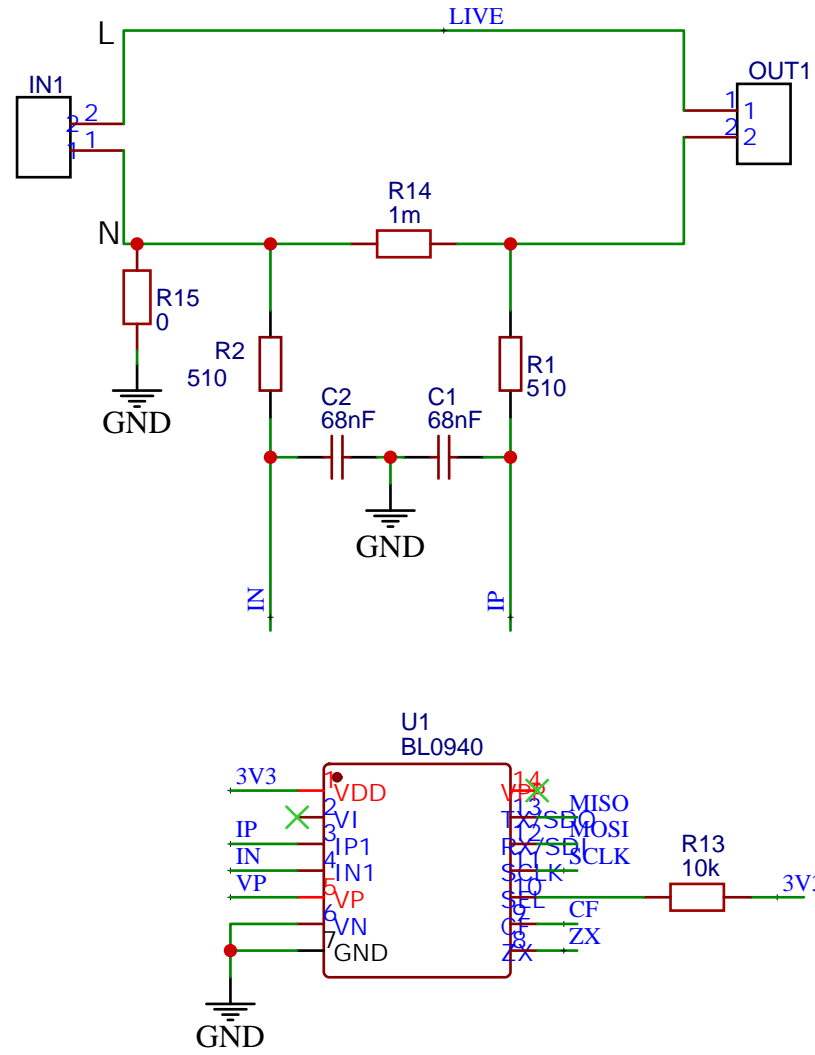
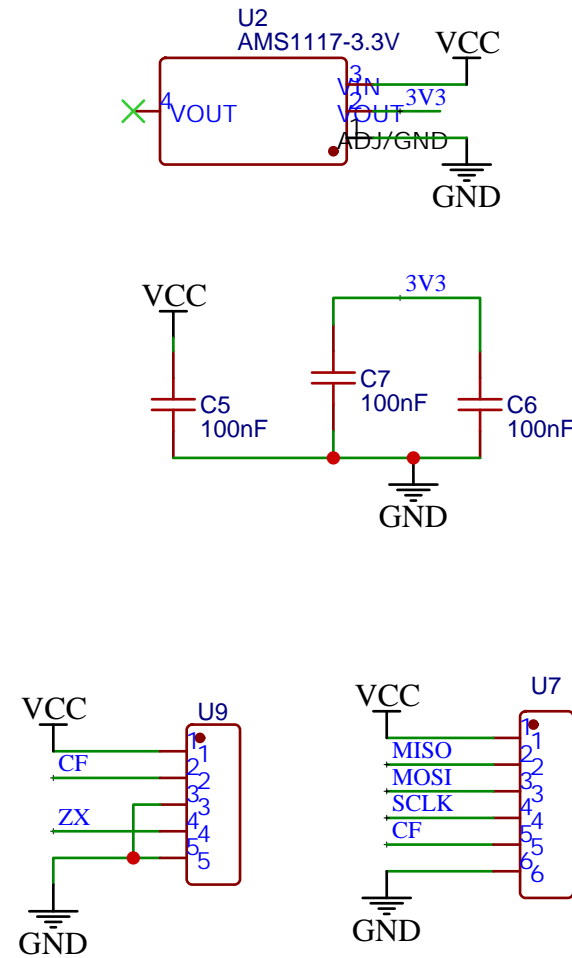


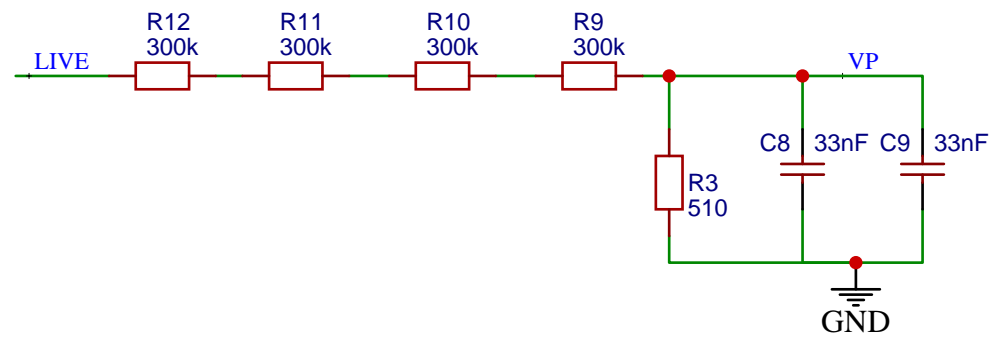
CURRENT MONITORING



POWER/ FILTER / IO



VOLTAGE MONITORING



TITLE: Sheet_1		REV: 1.0
EasyEDA	Company: Your Company	Sheet: 1/1
	Date: 2026-04-04	Drawn By: sagar saini