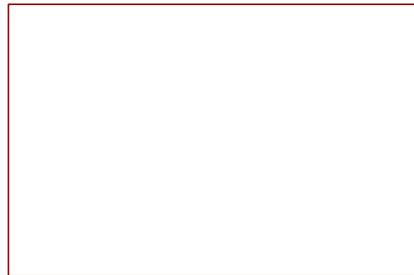


Power supply and on-board peripherals

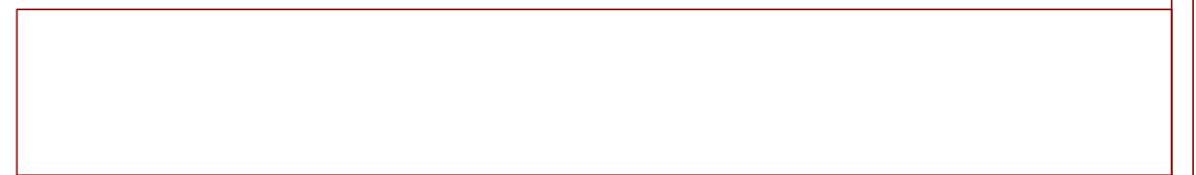


File: Supply_and_peripherals.kicad_sch

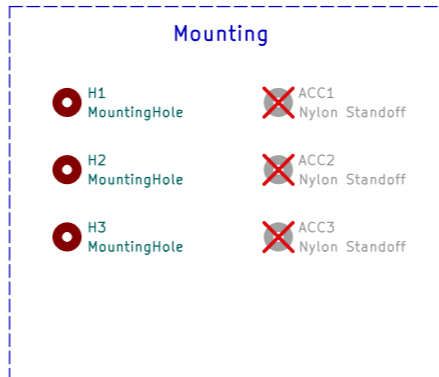
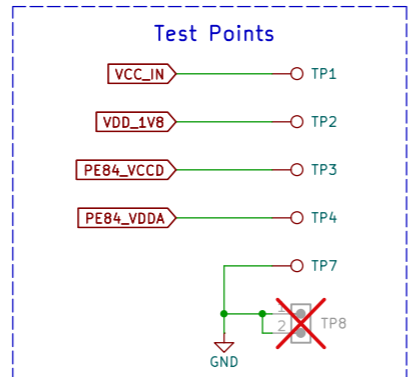
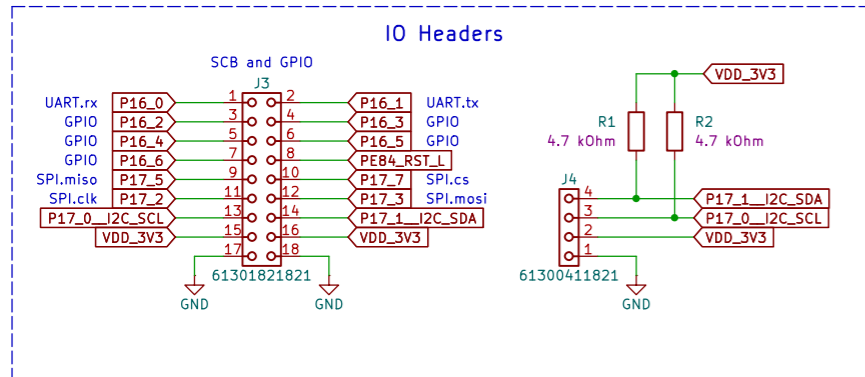
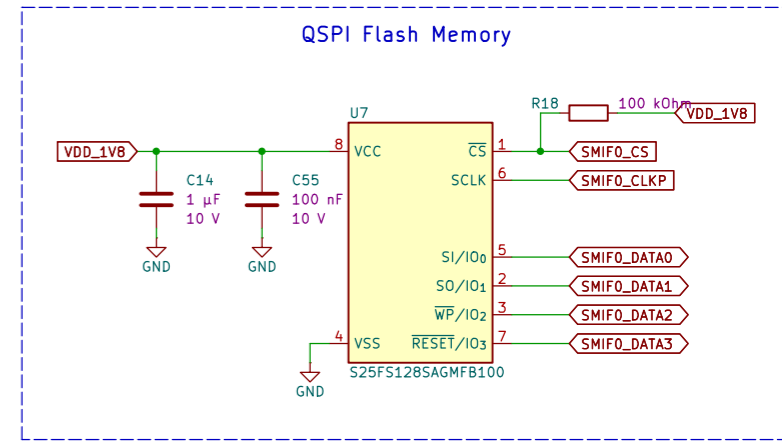
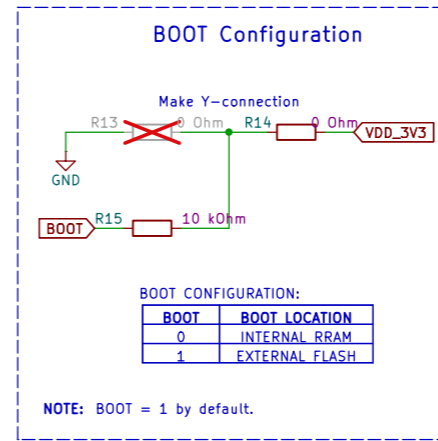
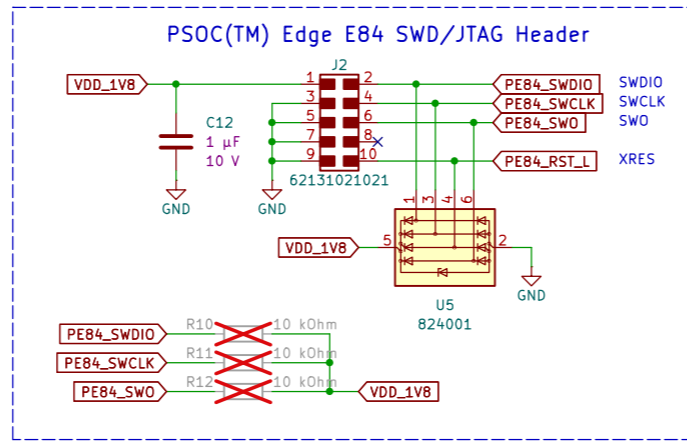
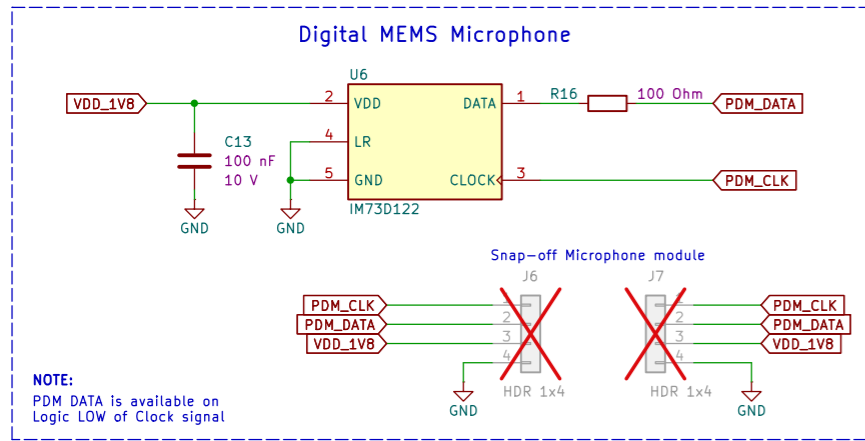
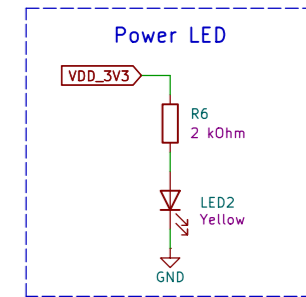
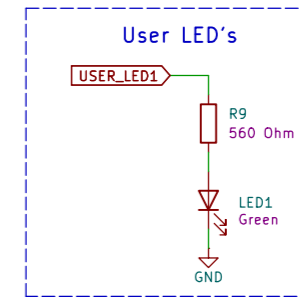
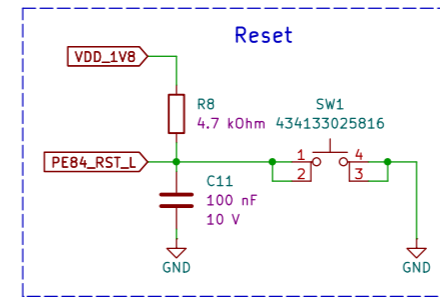
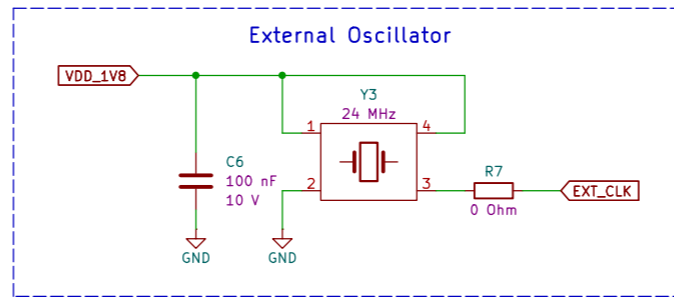
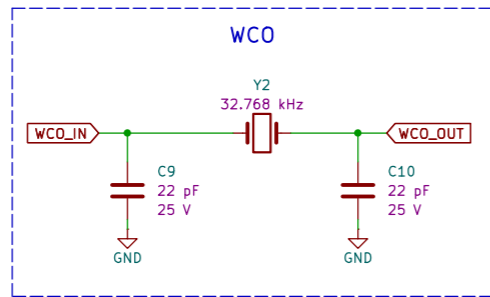
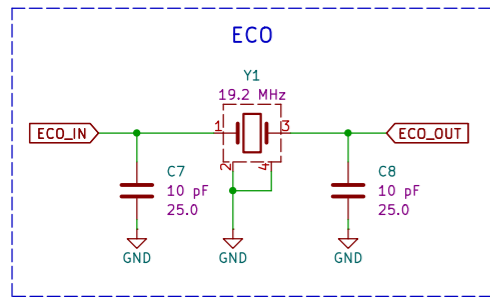
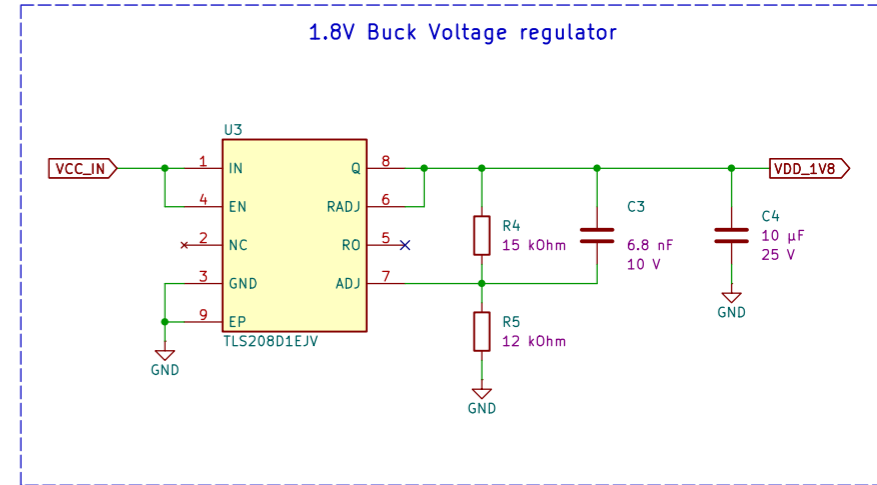
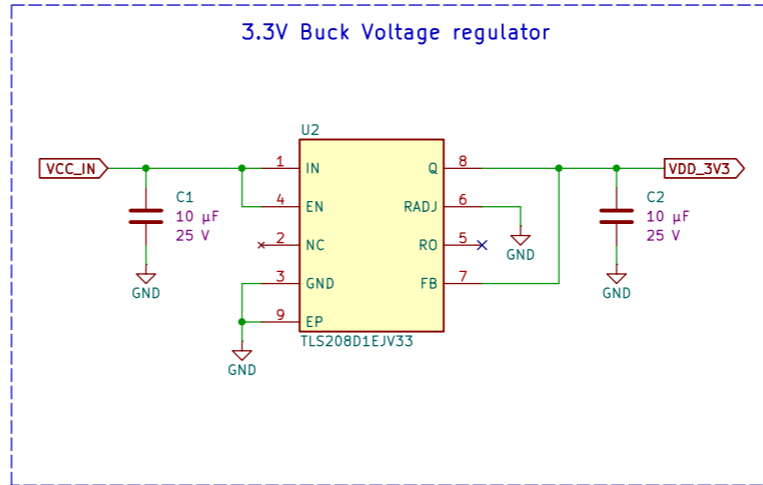
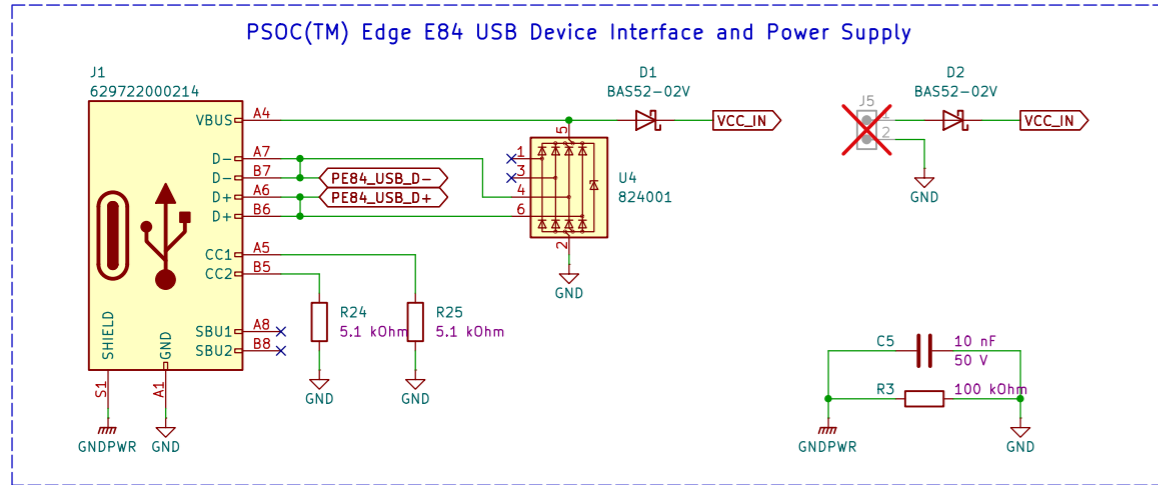
MCU



File: MCU.kicad_sch



Sheet: /		
File: PSOC_Edge_E84_6L_Minimal.kicad_sch		
Title: PSOC Edge		
Size: A4	Date: 2026-04-09	Rev: v1.1
KiCad E.D.A. 9.0.7		Id: 0/3



PSOC(TM) Edge E84

