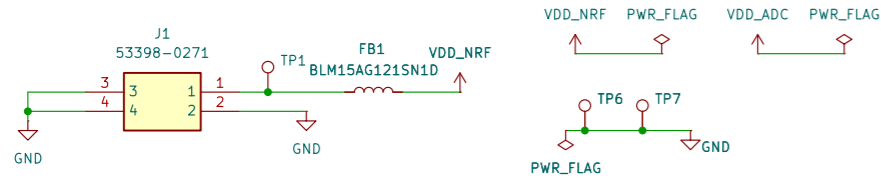
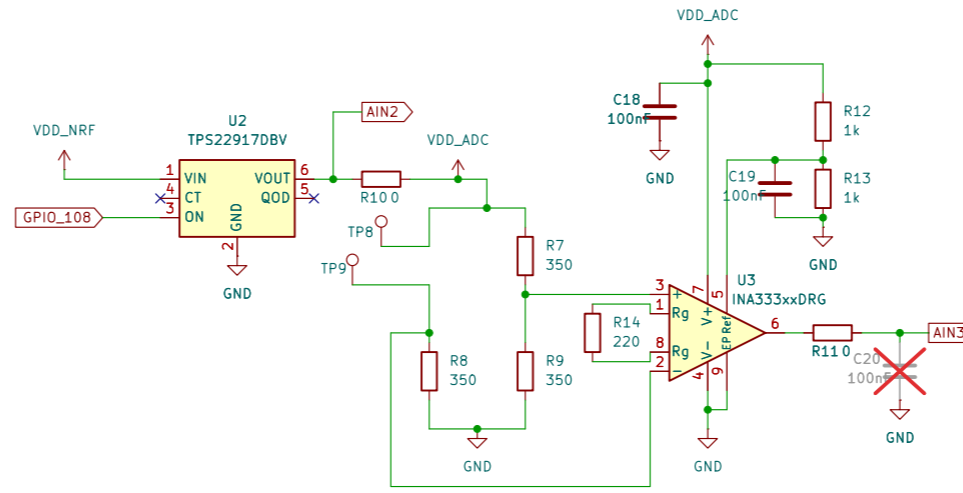


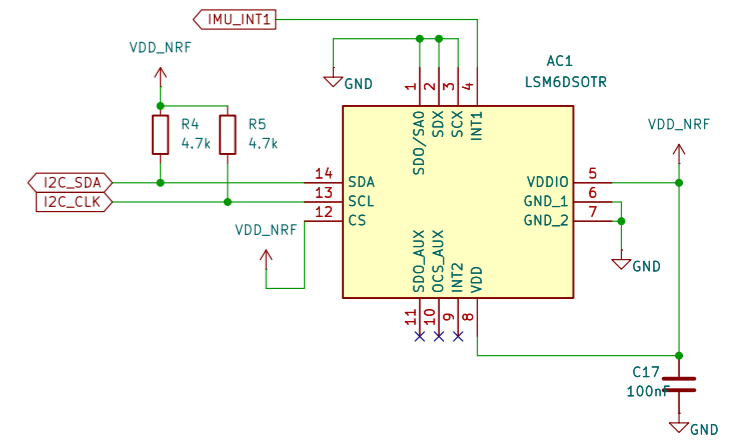
Power Connector



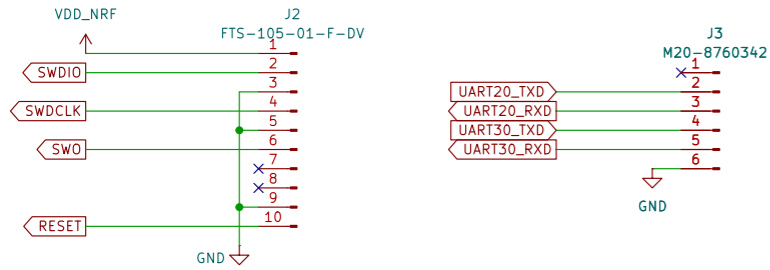
Strain_gauge(ADC) Sensor



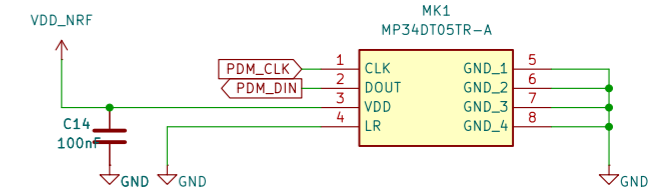
IMU(I2C) Sensor



Debug(SWD,UART) Connector



MIC(PDM) Sensor



CAUTION: Pins 1 and 3 differ from the datasheet. The footprint layout itself is correct.

SOC(nRF54L15)

