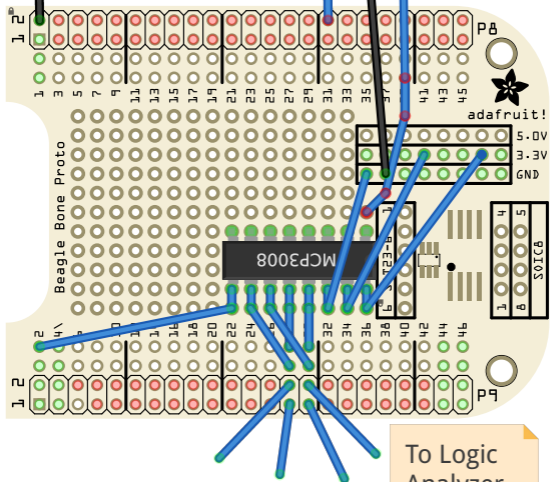


BREADBOARD  
ADC CAPE

Analog Input



To Logic  
Analyzer

fritzing