

1

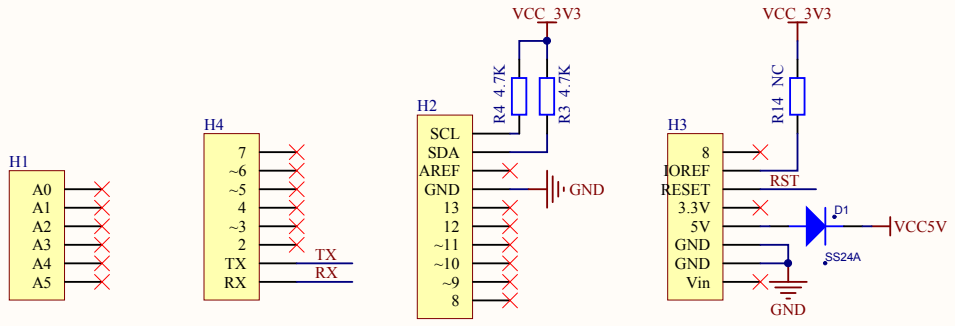
2

3

4

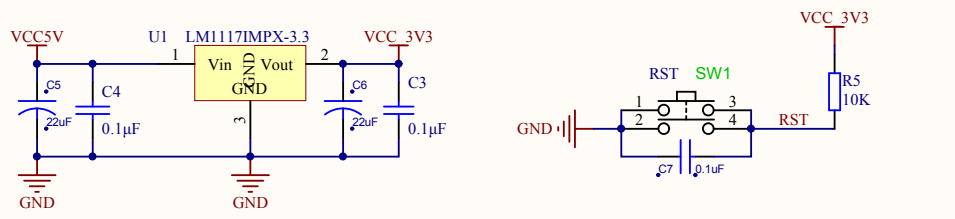
A

A



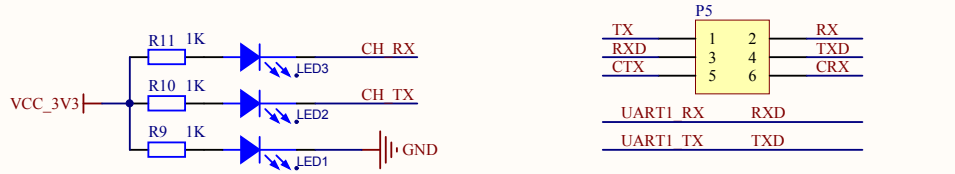
B

B



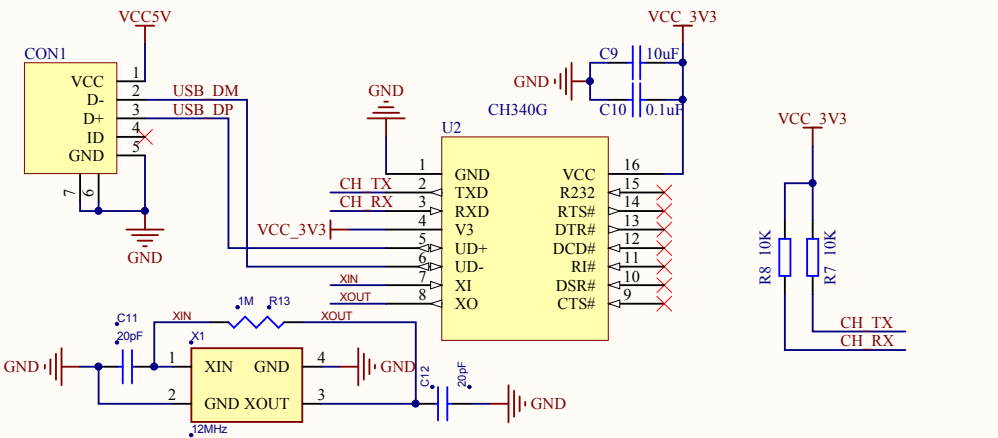
C

C



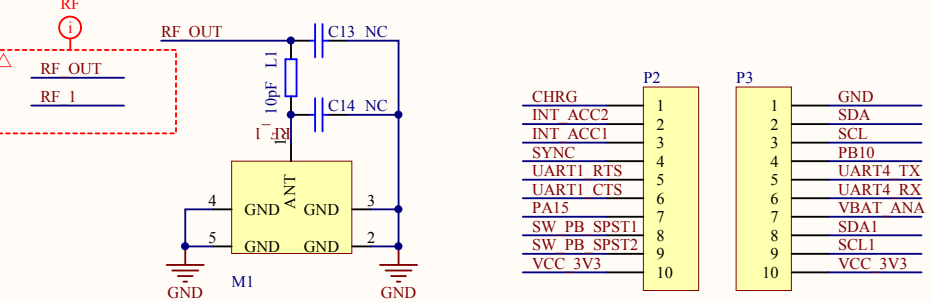
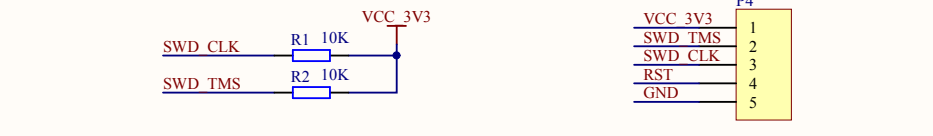
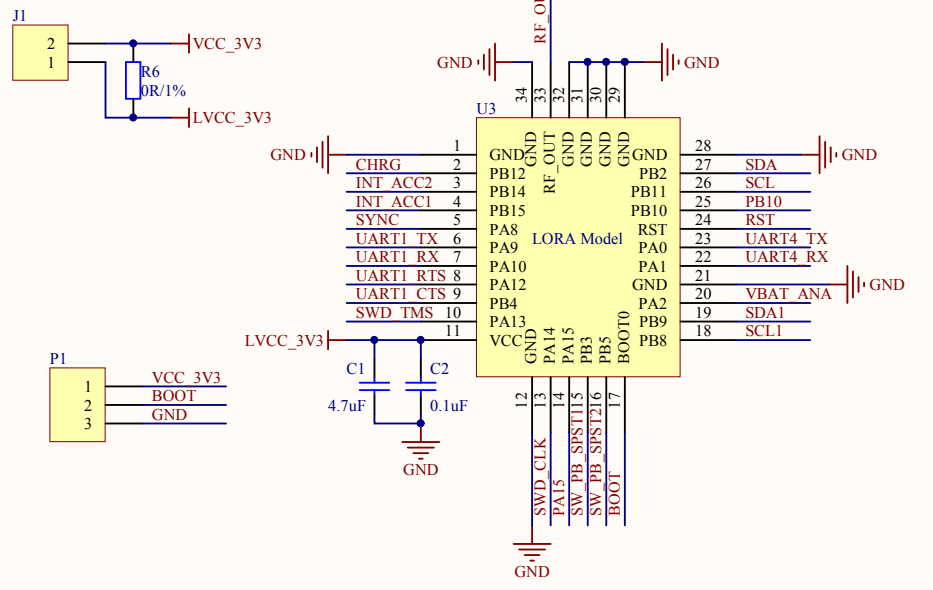
D

D



1

2



Title		
Size	Number	Revision
A4		
Date:	2016/12/16	Sheet of
File:	C:\Users\...\Sheet1.SchDoc	Drawn By:

3

4