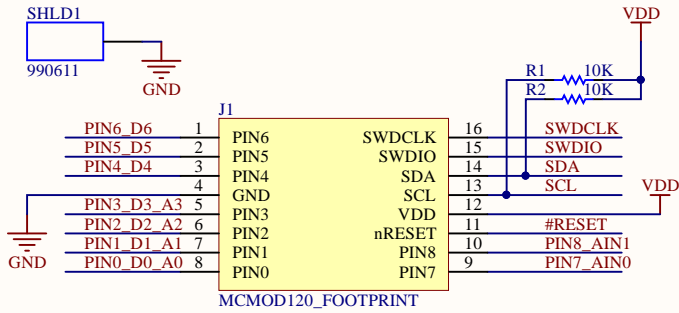
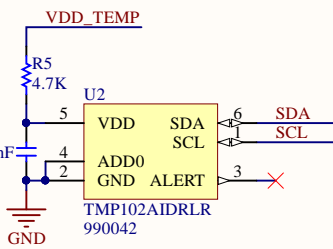
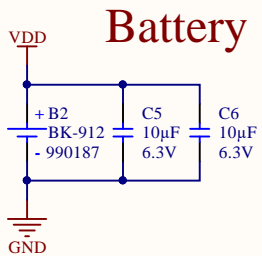


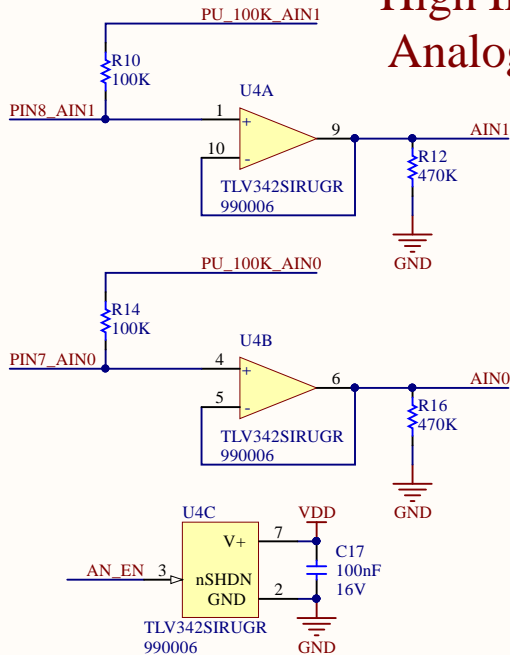
External Pins



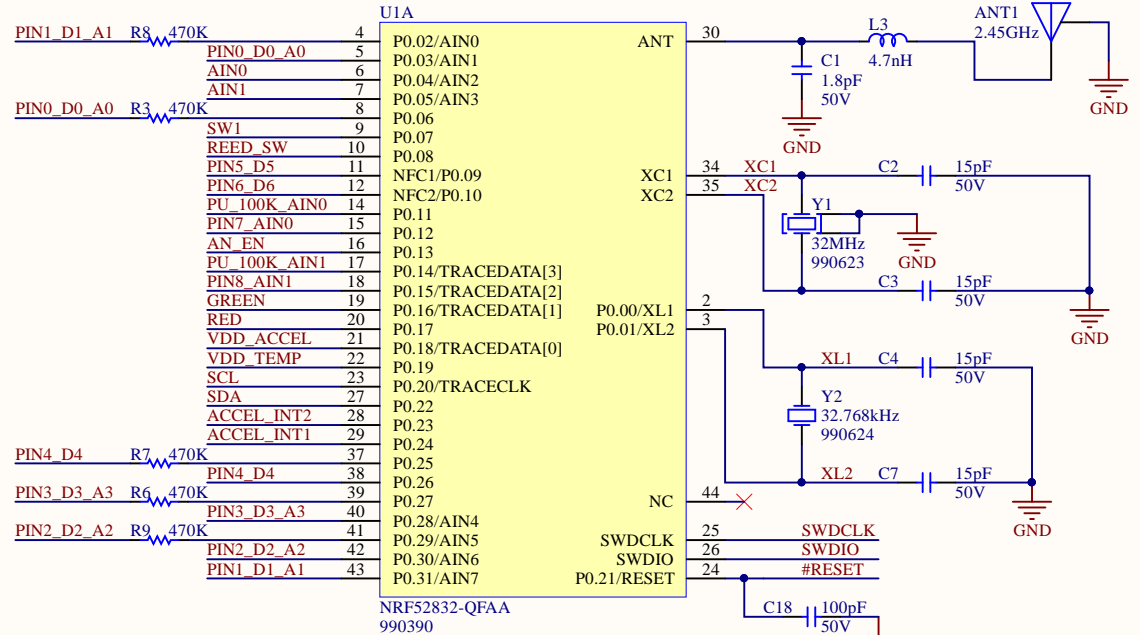
Battery



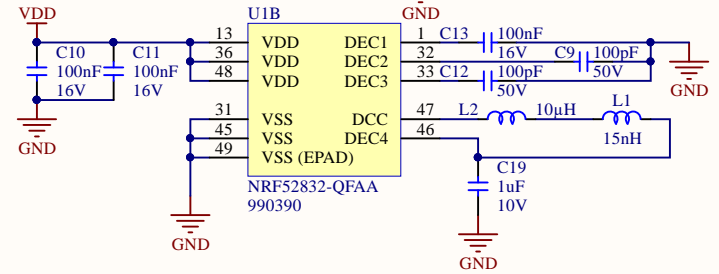
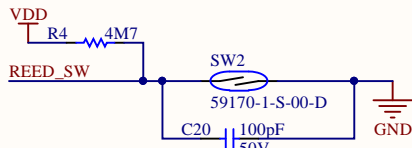
High Impedance Analog Inputs



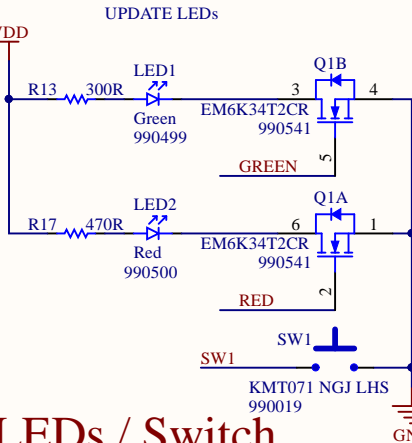
MCU / RF



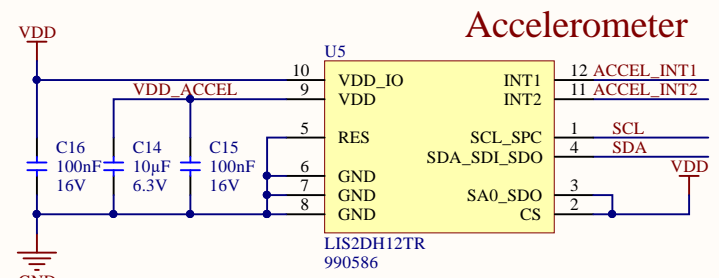
MCU / RF



LEDs / Switch



Accelerometer



Title		
mcMod120		
Size	Number	Revision
Letter	980033	1
Date:	8/3/2016	Sheet 1 of 1
File:	C:\mcMod120\..mcMod120R3.SchDoc	Drawn By: Josh Wolf