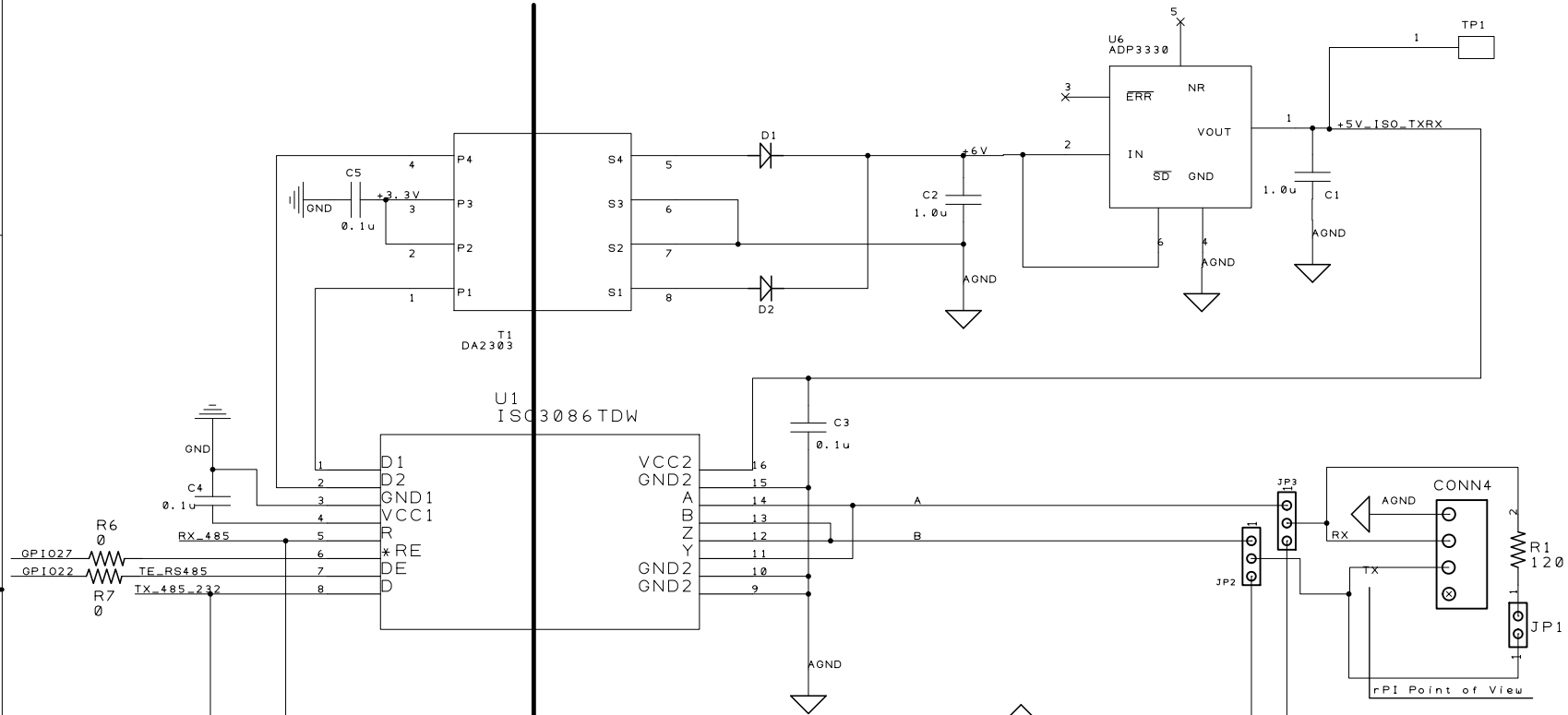
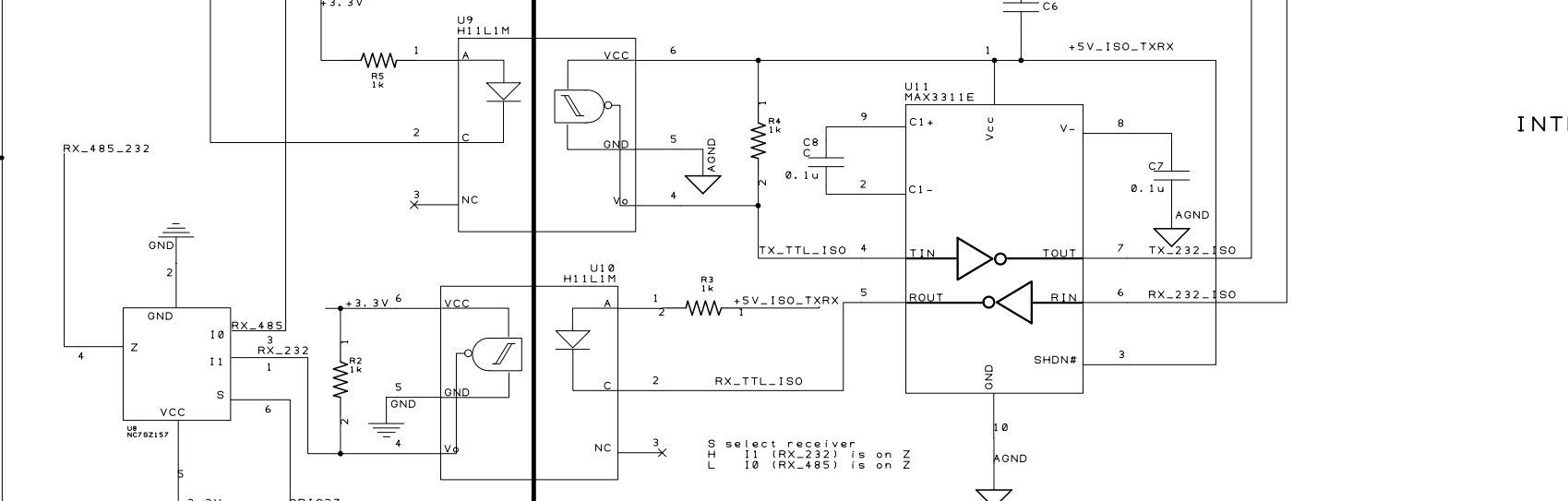


RS-485 INTERFACE

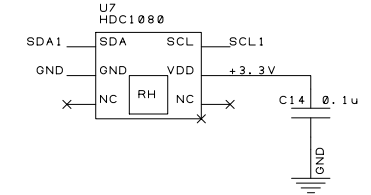
ISOLATION BARRIER



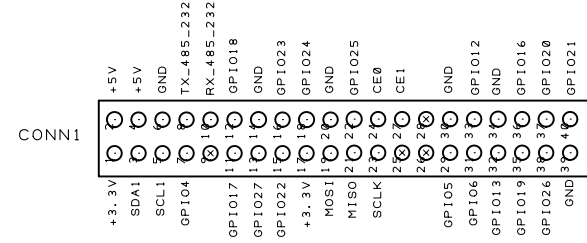
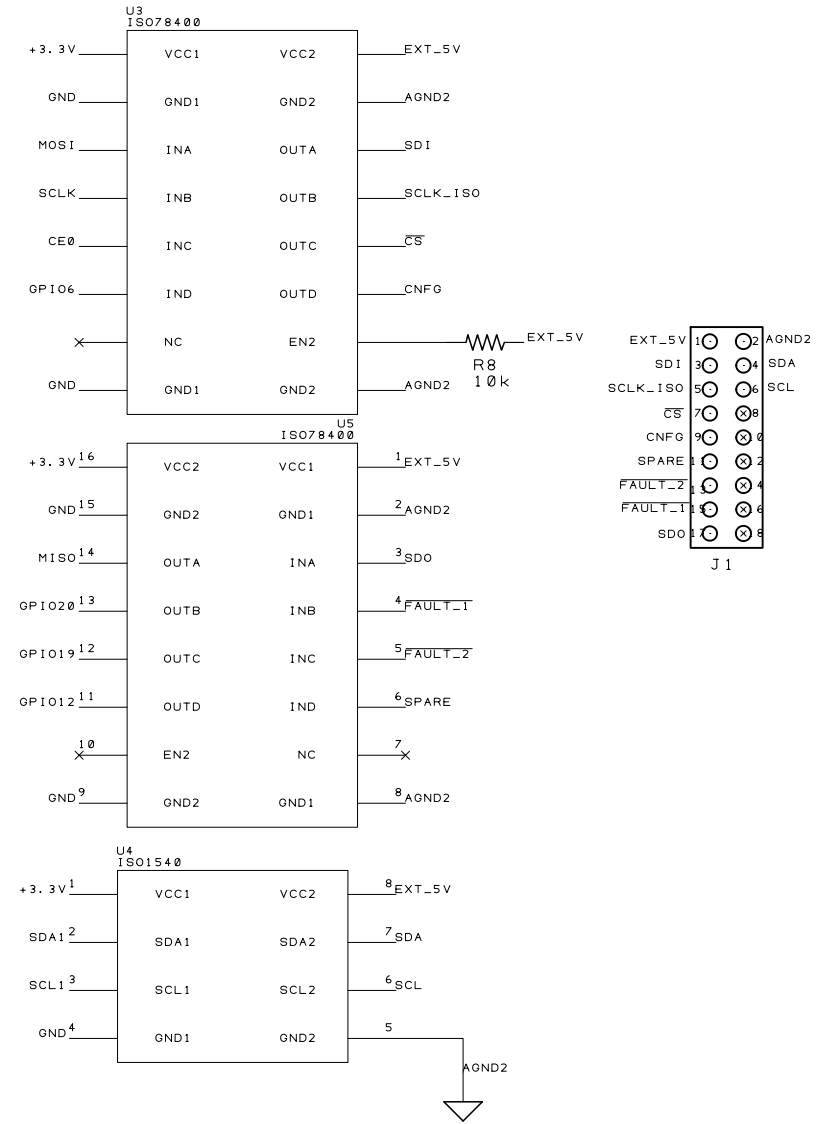
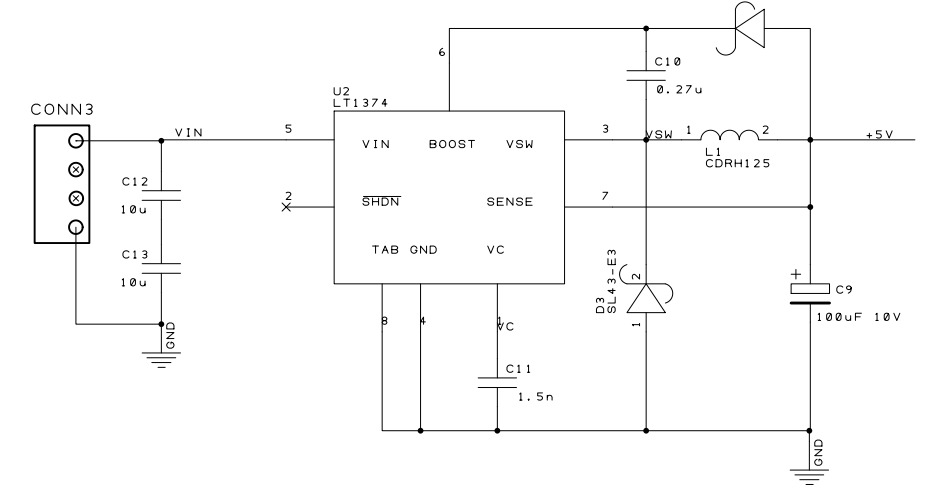
RS-232 INTERFACE



INTERNAL TEMP/RH SENSOR



POWER SUPPLY



PROJECT:			
DRAWING TITLE: INDUSTRIAL COMM MODULE			
DRAWN BY:	REVISION:		
SHEET OF	FILE:		
DATE:	ANDROID THINGS CONTEST		