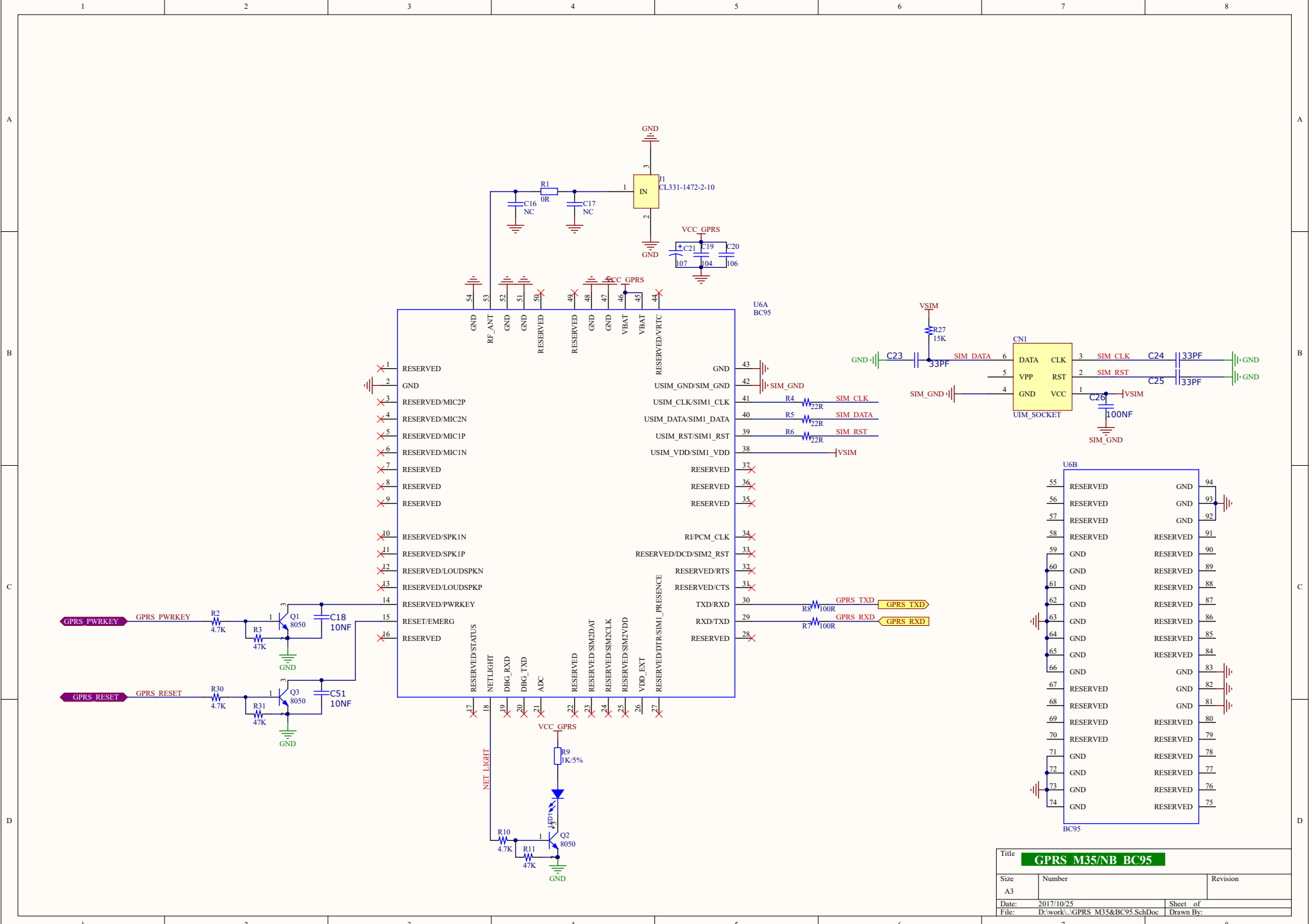
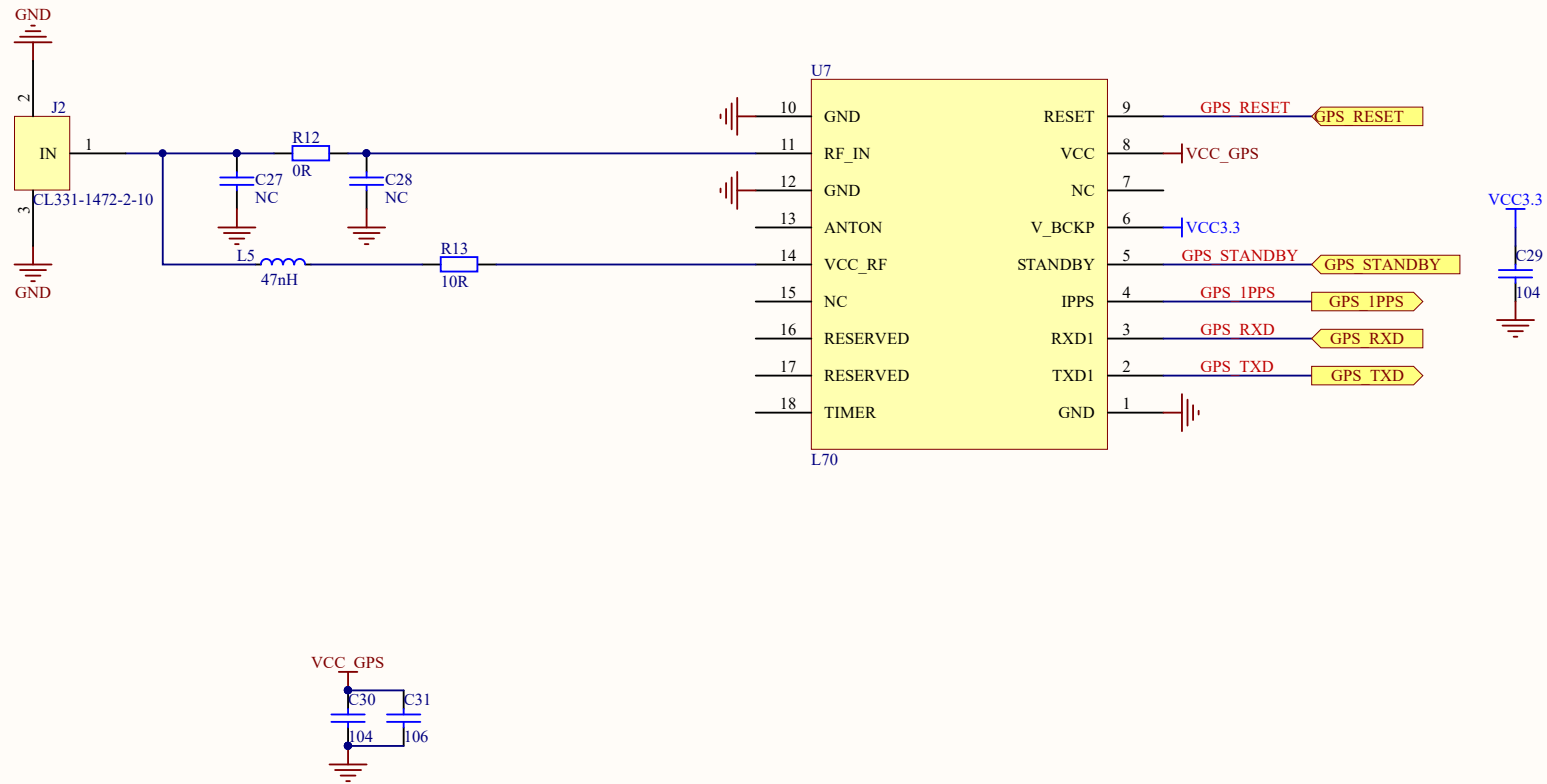


Title <b>PCA10045 BLE nRF52832</b>		Revision 1.2.0	
Size A4	Project Number 4403	Sheet 1 of 5	
Date: 2017/8/29		File: BLE_nRF52832.SchDoc	
		Drawn By: RUBR	

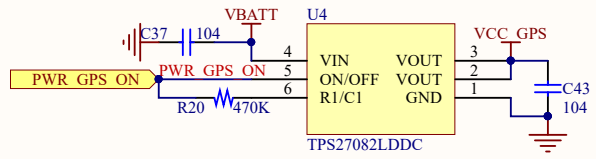
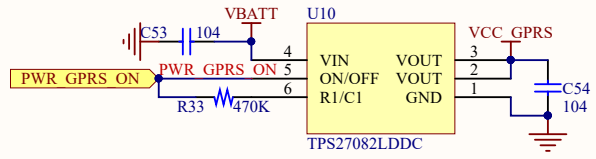
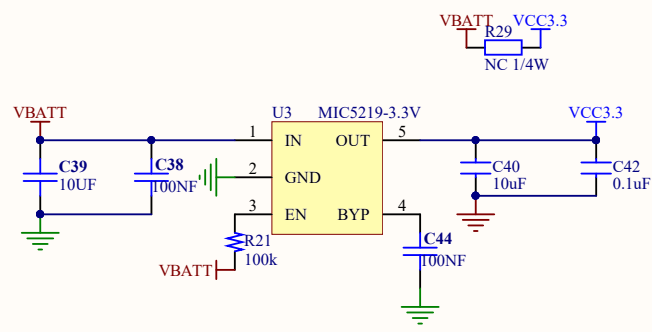
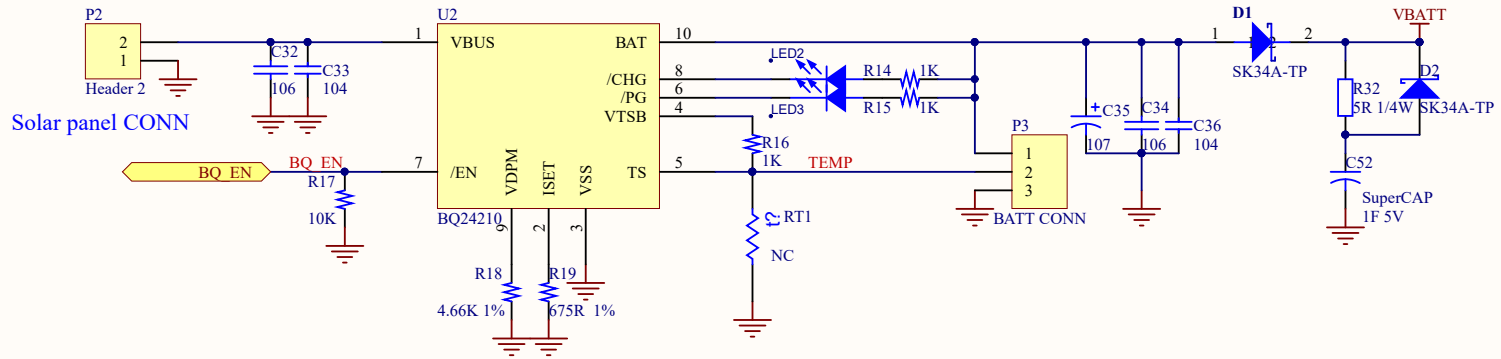




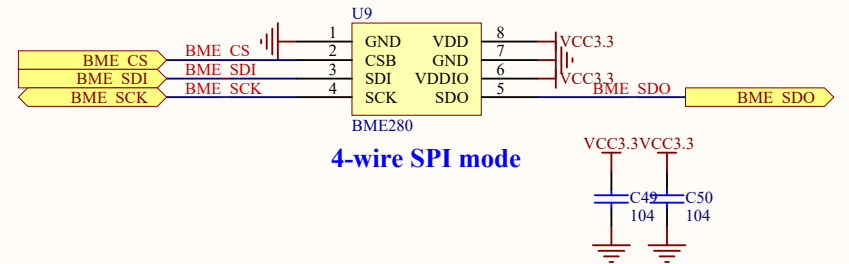
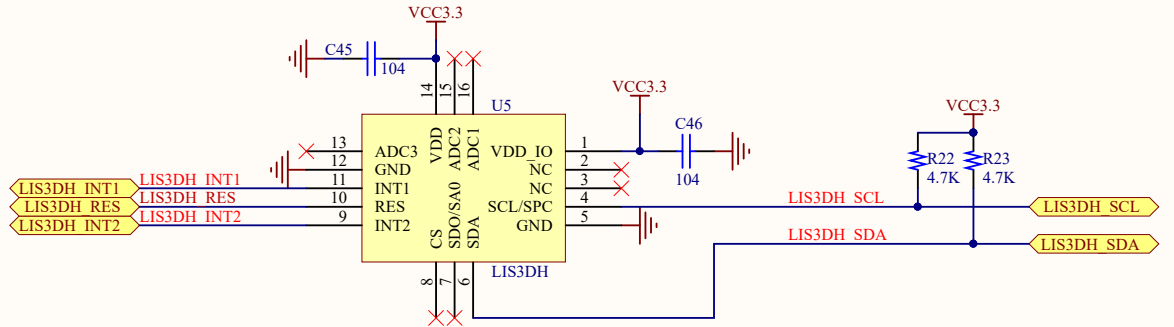
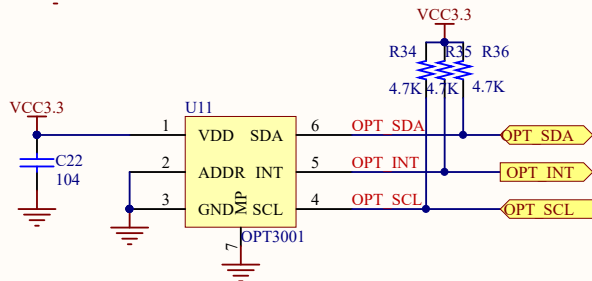
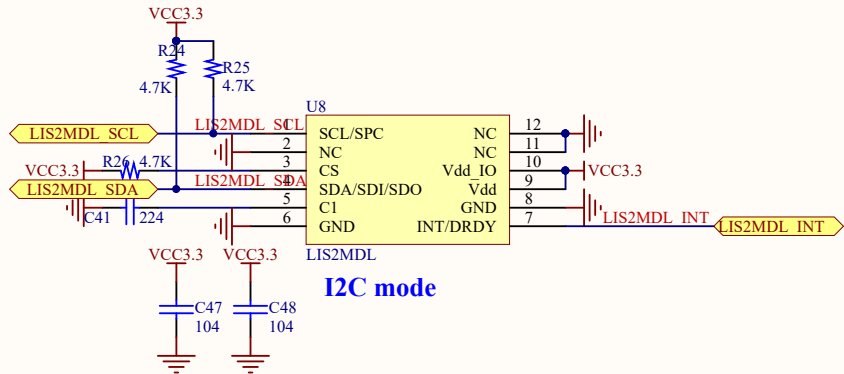
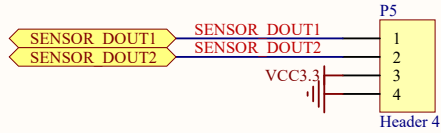
Title		
<b>GPRS M35/NB BC95</b>		
Size	Number	Revision
A3		
Date:	2017/10/25	Sheet of
File:	D:\work\GPRS_M35&BC95.SchDoc	Drawn By:



Title			<b>GPS</b>		
Size	Number		Revision		
A4					
Date:	2017/10/25		Sheet of		
File:	D:\work\GPS_L70.SchDoc		Drawn By:		



Title			<b>POWER</b>		
Size	Number		Revision		
A4					
Date:	2017/10/25		Sheet		of
File:	D:\work\...\POWER.SchDoc		Drawn By:		



Title		<b>Sensor</b>	
Size	Number	Revision	
A4			
Date:	2017/10/25	Sheet	of
File:	D:\work\SENSOR.SchDoc	Drawn By:	