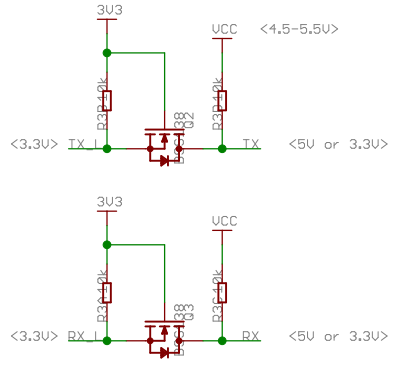
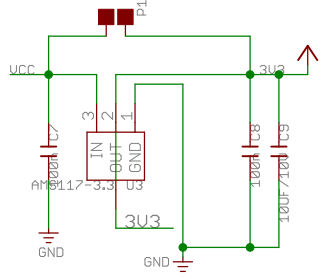


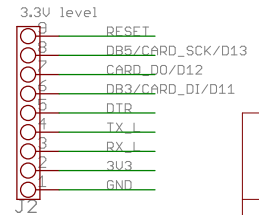
**Level shift circuit**



If you short this pad, you can use 3.3V power supply



**PROGRAM**



<a href="http://www.dx.com">http://www.dx.com</a> Store: <a href="http://www.aliexpress.com/store/1199788">http://www.aliexpress.com/store/1199788</a>	
<b>TITLE: Serial TFT 2.4INCH</b>	
<b>Design:</b> Jack	<b>Check:</b> Fred.Chu
<b>Date:</b> 2018.03.25	<b>Vision:</b> Sheet: 1/1