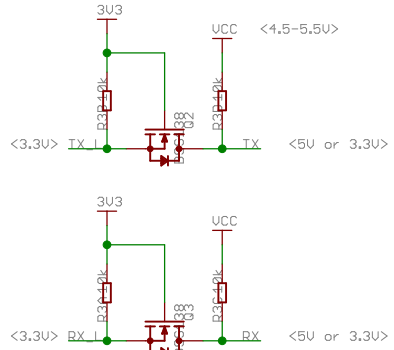
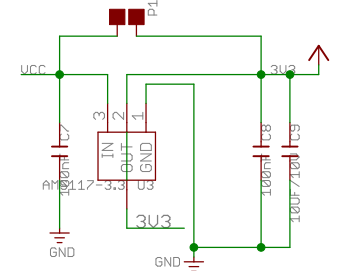
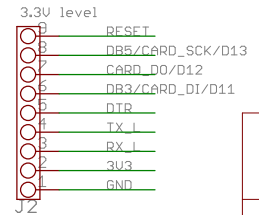


Level shift circuit

If you short this pad, you can use 3.3V power supply



PROGRAM



<http://www.dx.com>
 Store: <http://www.aliexpress.com/store/1199788>

TITLE: Serial TFT 2.4INCH

Design: Jack

Check: Fred.Chu

Date: 2018.03.25

Vision:

Sheet: 1/1