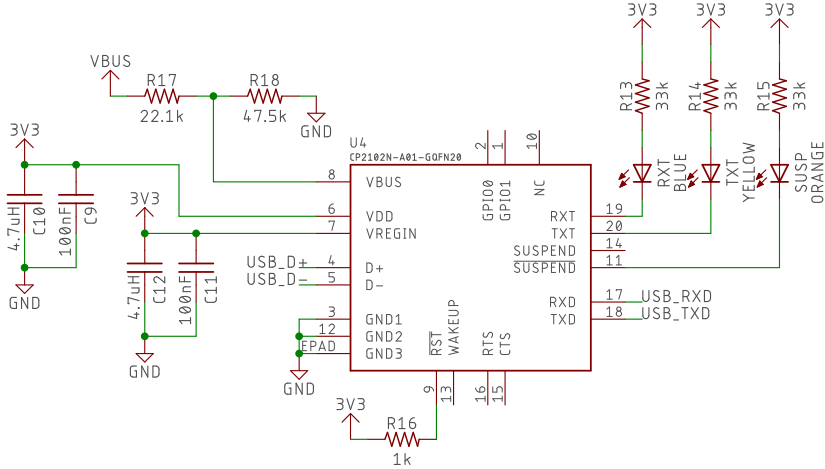
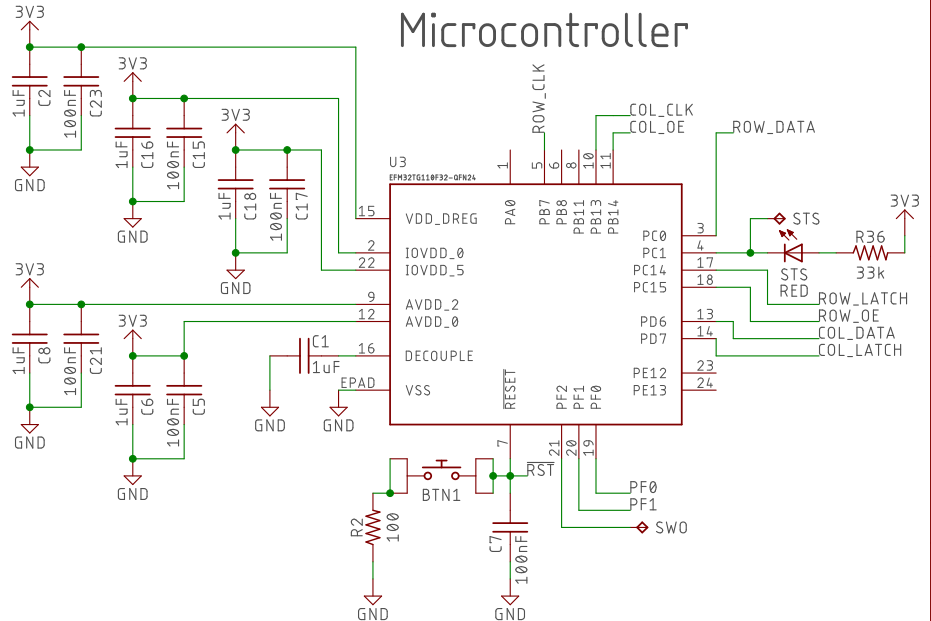


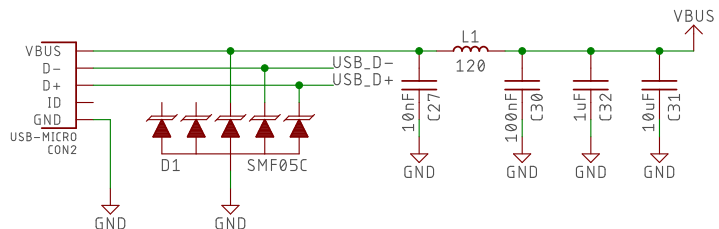
## USB-UART



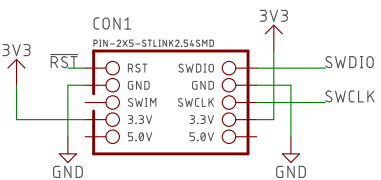
## Microcontroller



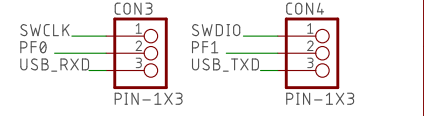
## Micro USB Connector



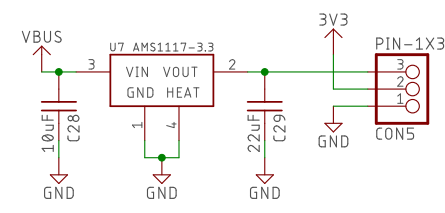
## Debug



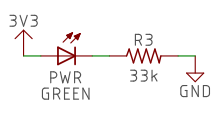
## SWD / Bootloader



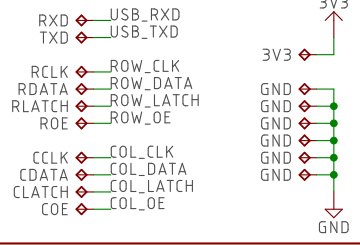
## 3V3 LDO



## Power LED



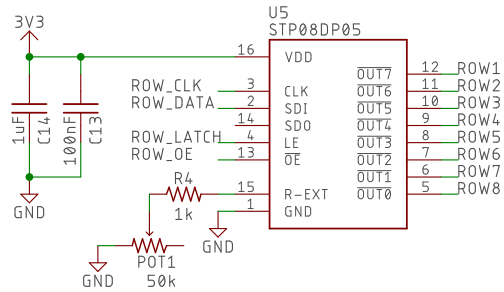
## Test Points



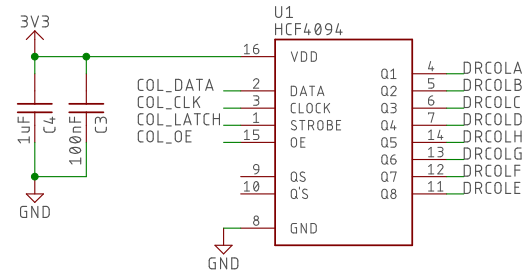
**NathanPetersen.com**

FILENAME: gradled-mini	
DESCRIPTION: MCU, Debug & Power	REV: A
DATE: 8/28/18 7:40 PM	SHEET: 1/2

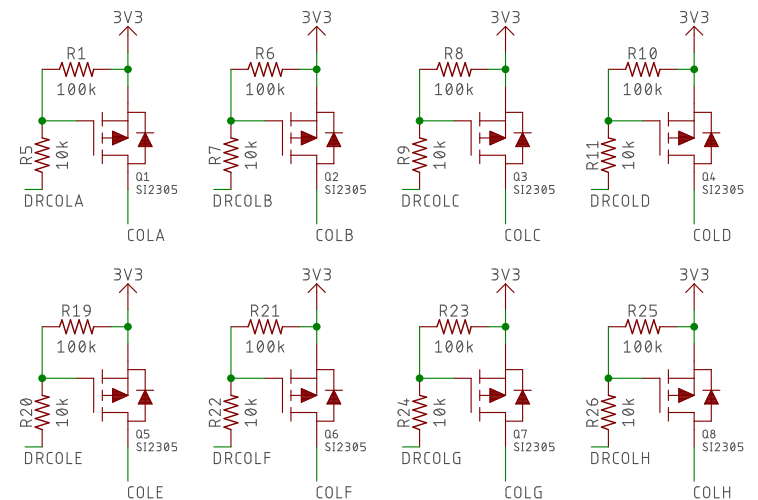
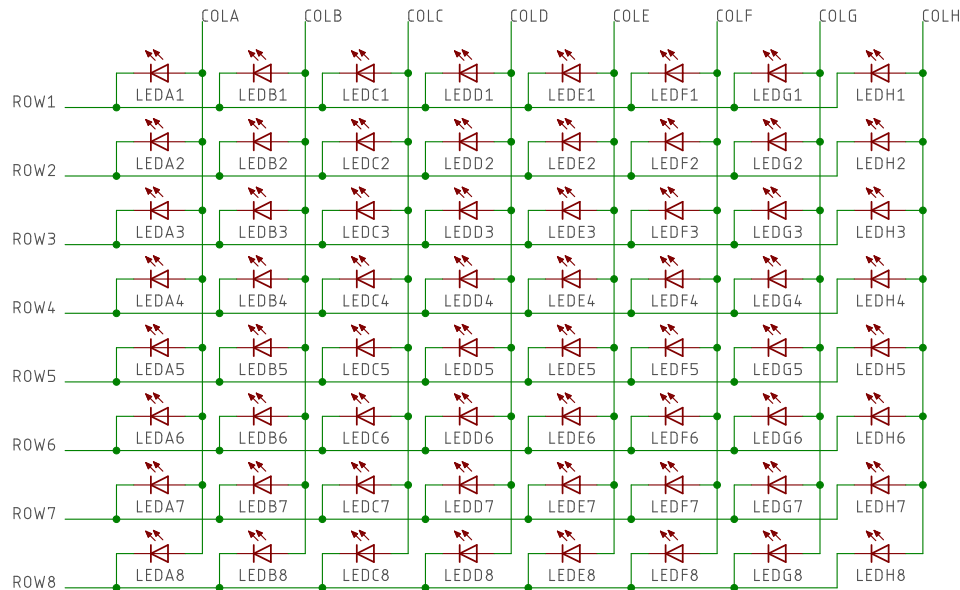
## Row Drivers



## Column Drivers



## 8x8 Discrete LED Matrix



**NathanPetersen.com**

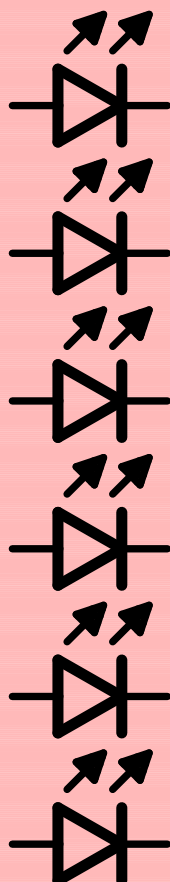
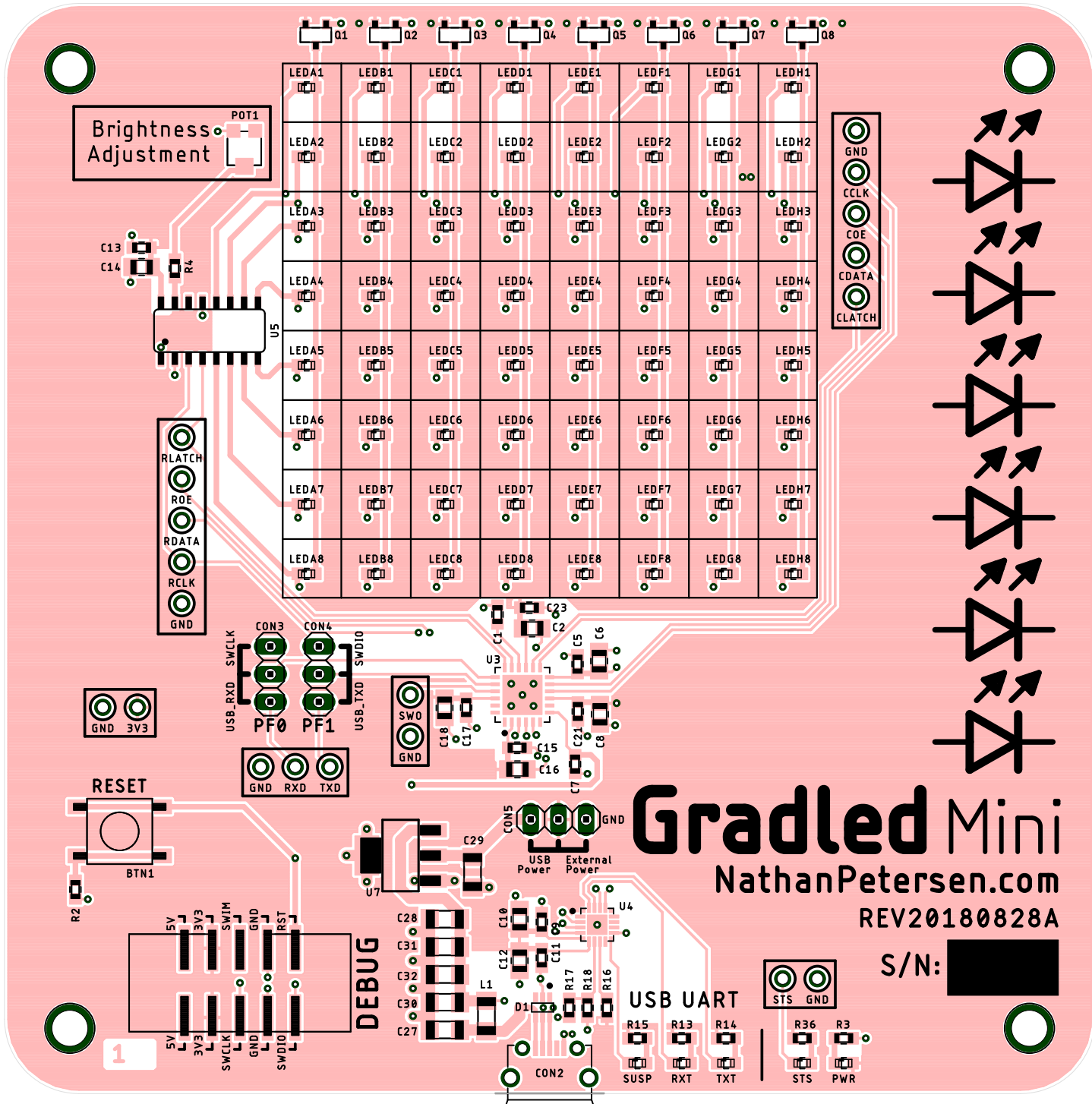
FILENAME: gradled-mini

DESCRIPTION:  
LED Drivers, LED Matrix

REV:  
A

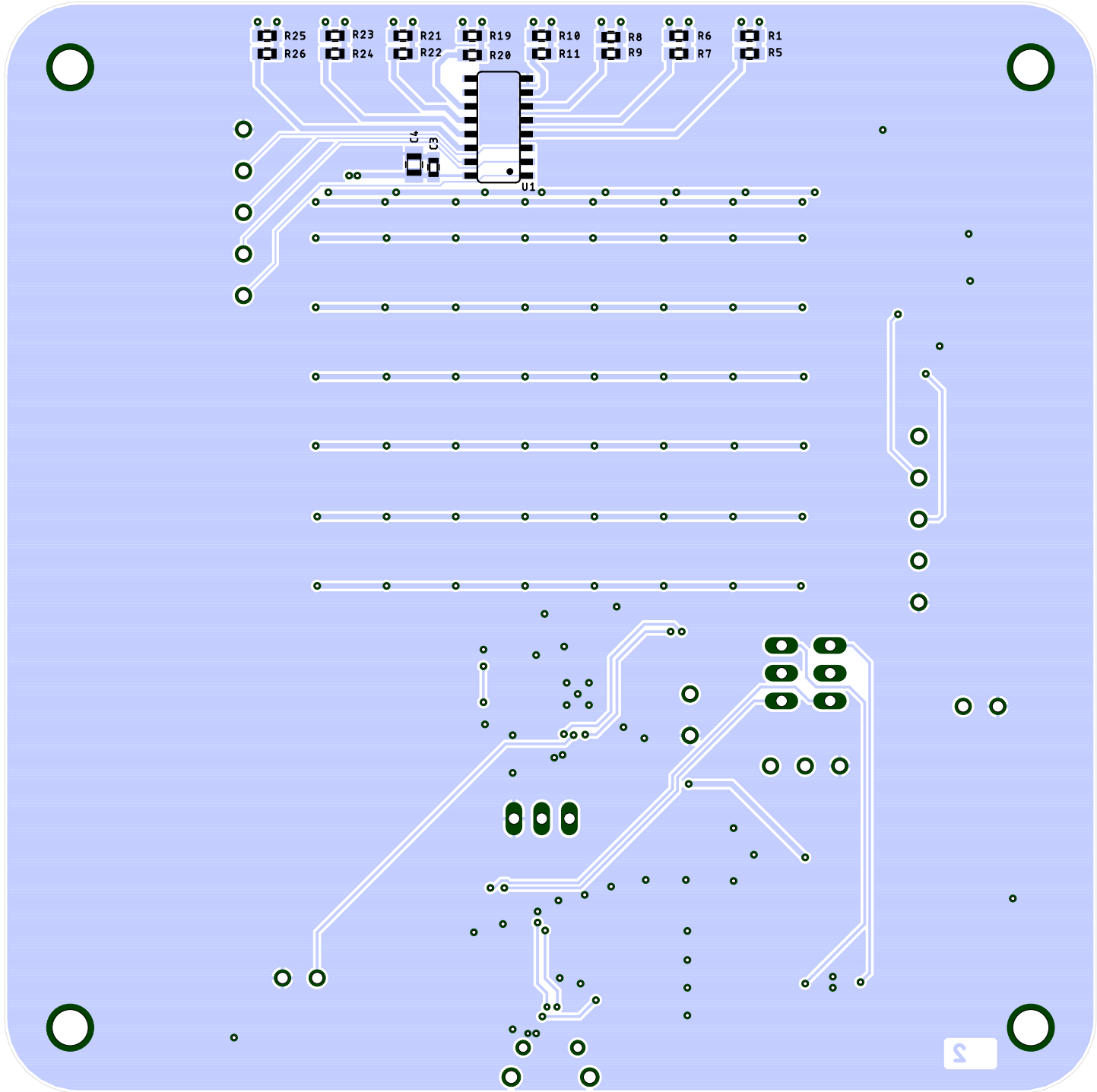
DATE: 8/28/18 7:40 PM

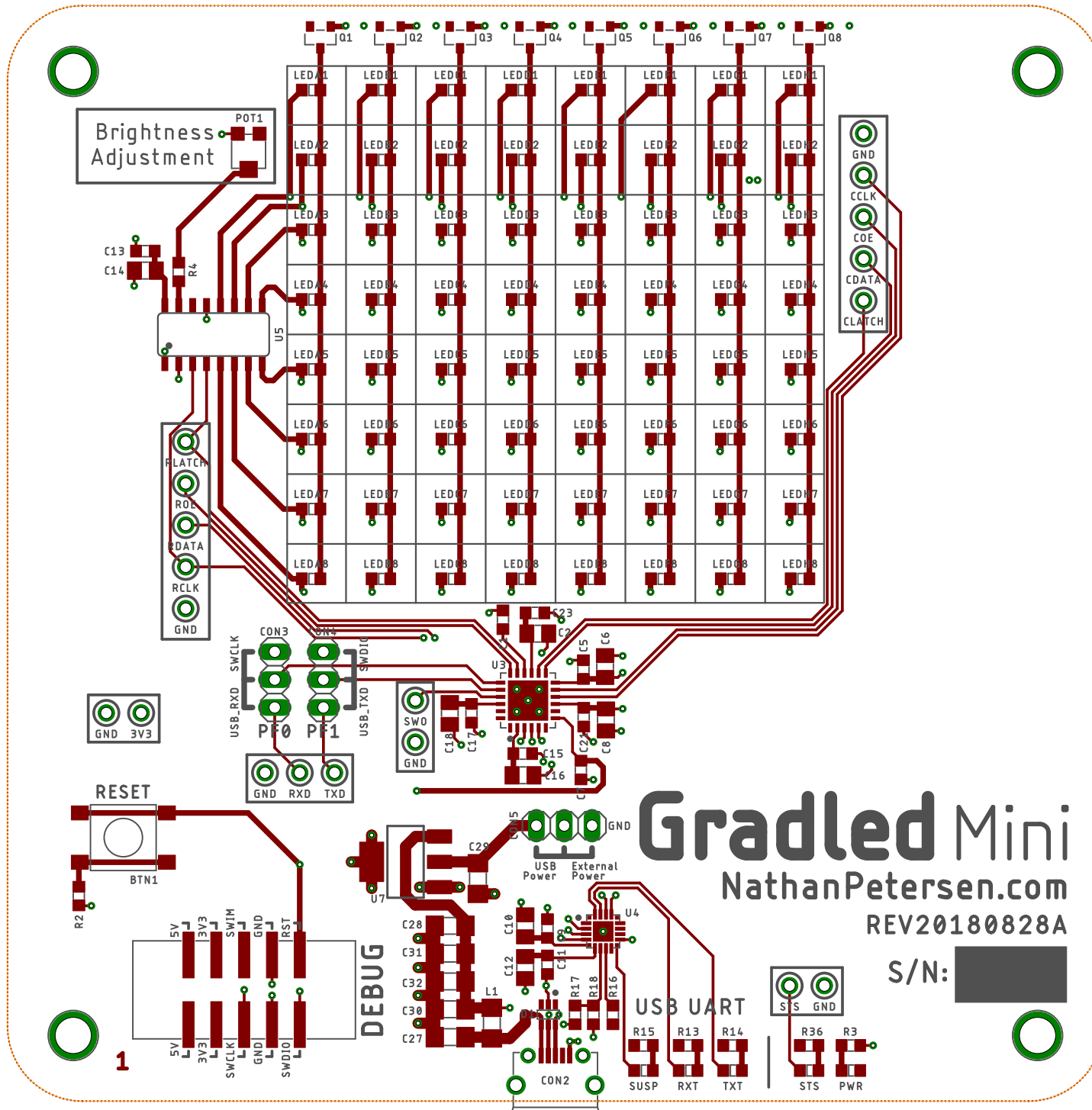
SHEET: 2/2



**Gradled Mini**  
 NathanPetersen.com  
 REV20180828A

S/N: XXXXXXXXXX



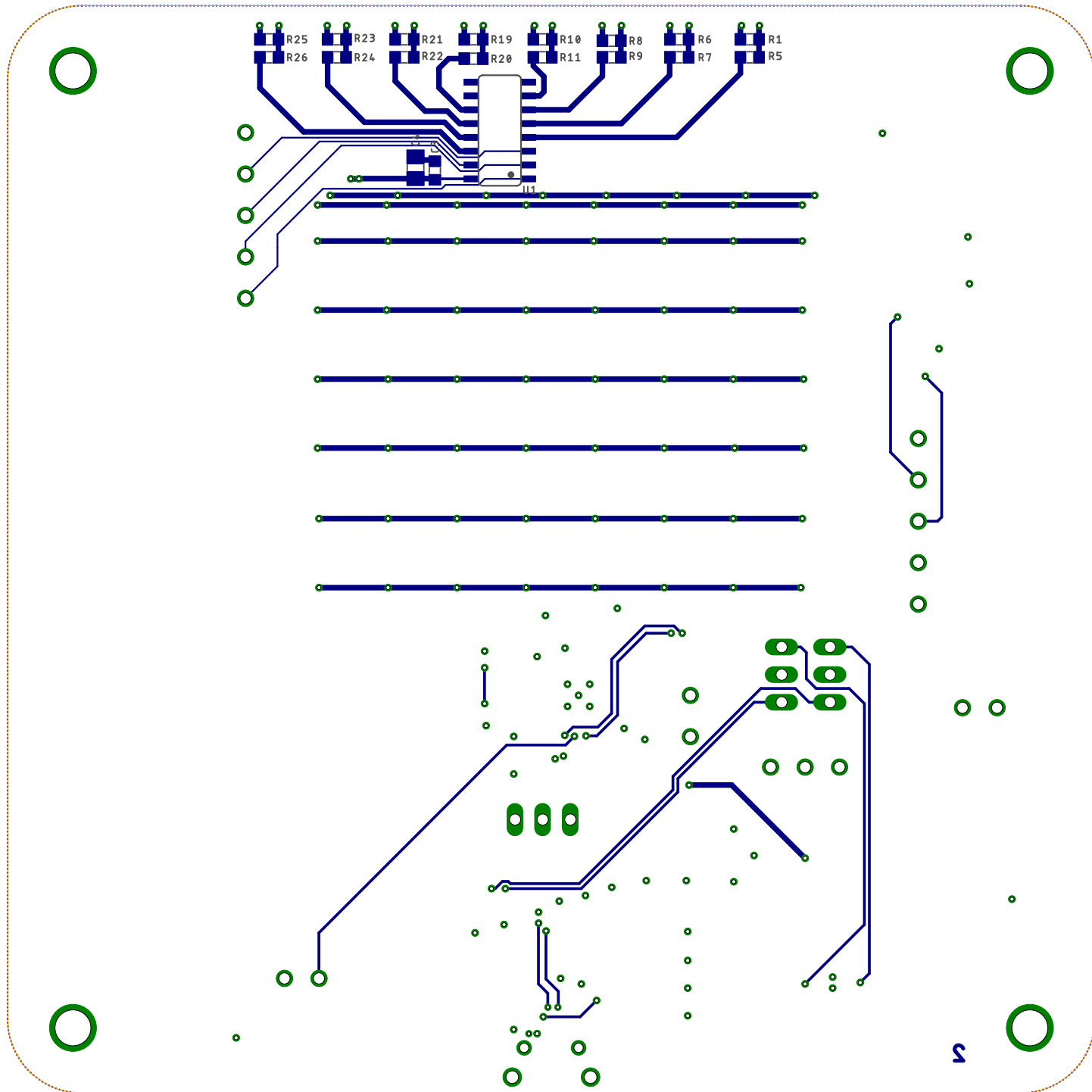


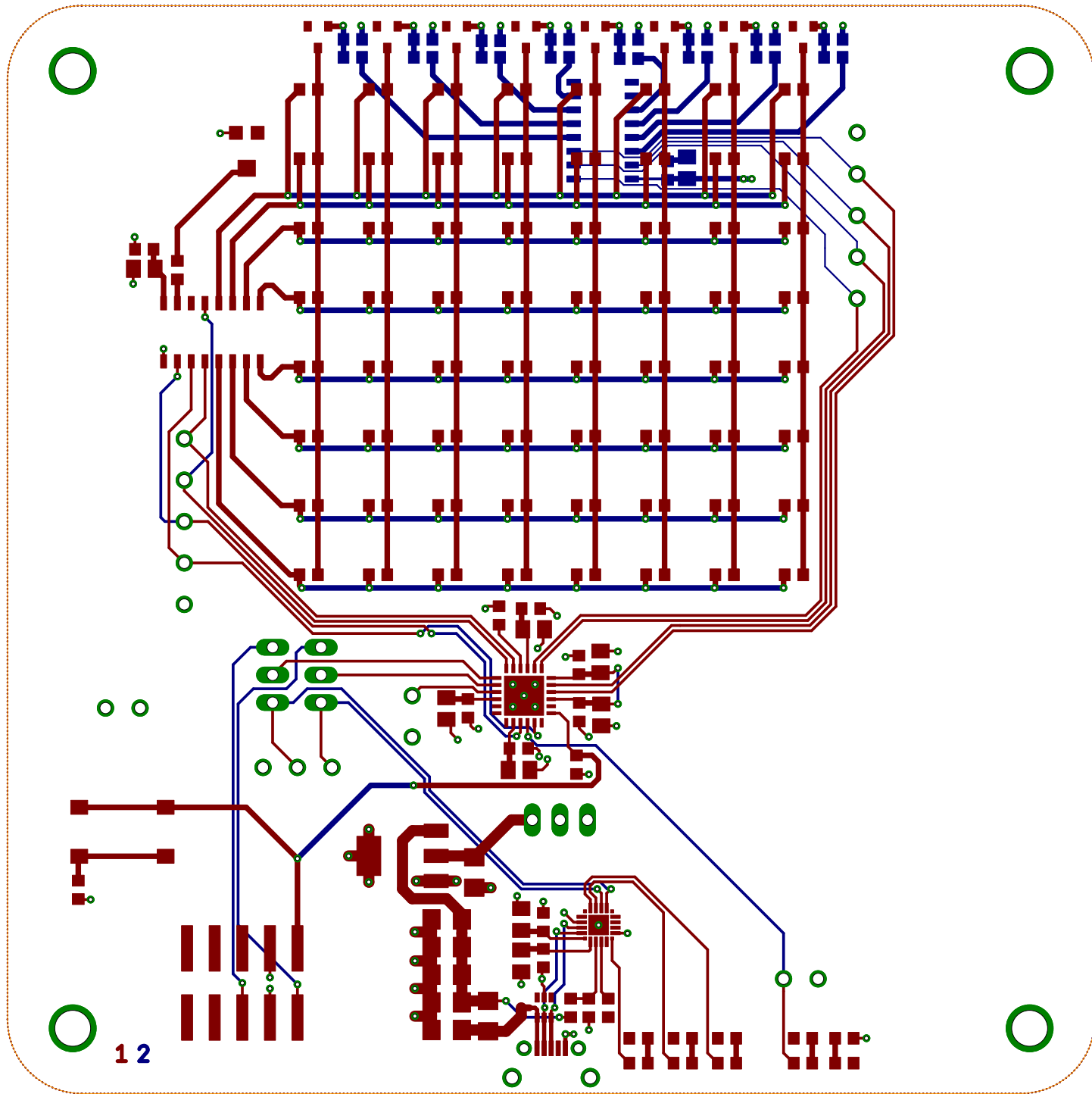
# Gradled Mini

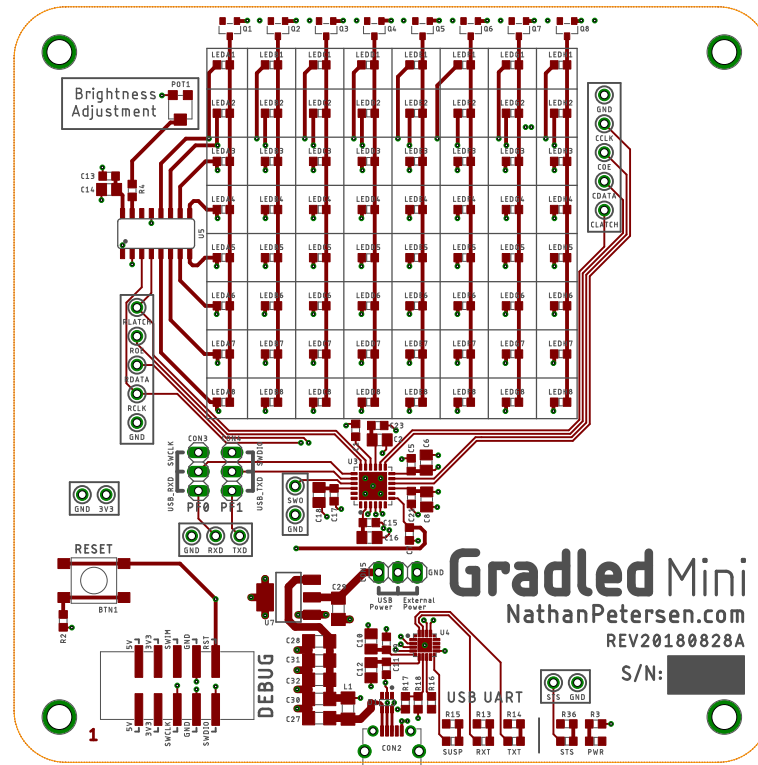
NathanPetersen.com

REV20180828A

S/N: XXXXXXXXXX







**Gradled Mini**  
NathanPetersen.com

REV20180828A

S/N: [REDACTED]



