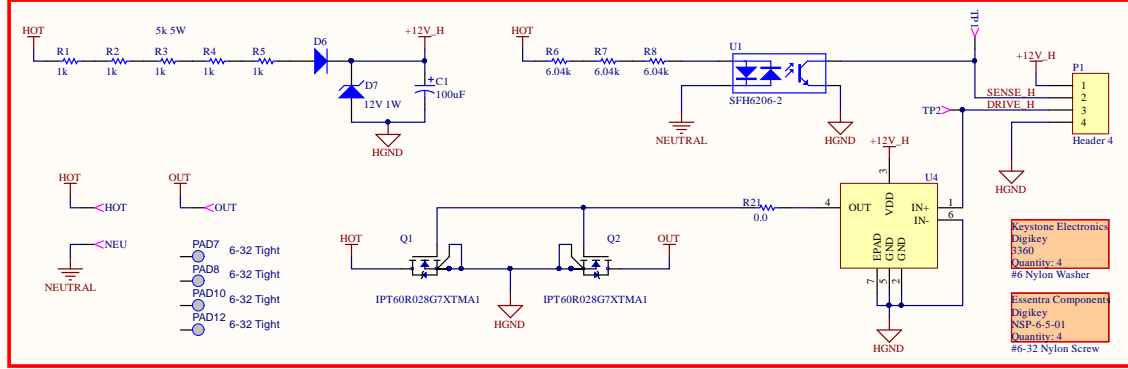


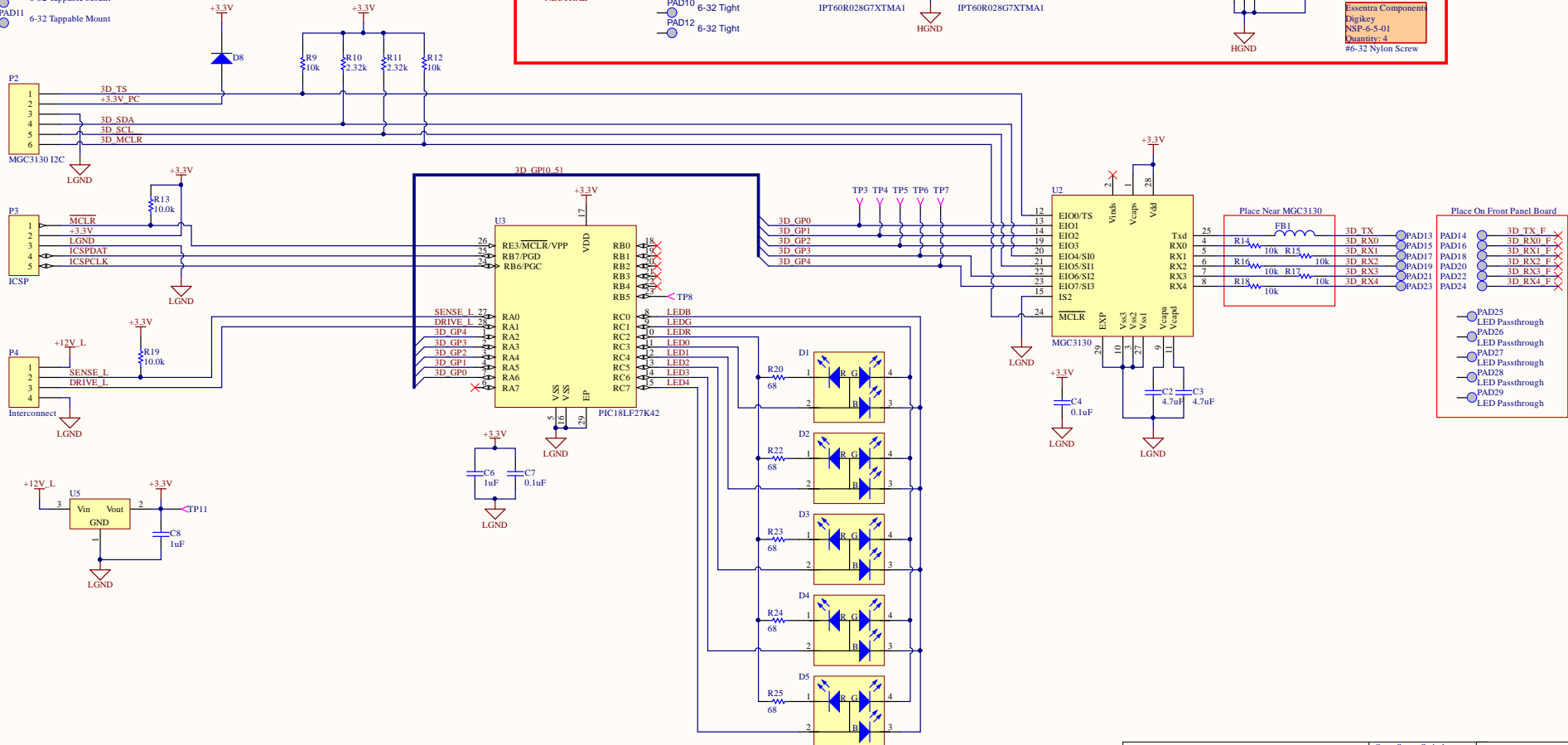
- M1 Standoff, Female, 6-32-UNC, 1/4"
- M2 Standoff, Female, 6-32-UNC, 1/4"
- M3 Standoff, Female, 6-32-UNC, 1/4"
- M4 Standoff, Female, 6-32-UNC, 1/4"
- PAD1 Plaster Screw Hole
- PAD2 Plaster Screw Hole
- PAD3 Plaster Screw Hole
- PAD4 Plaster Screw Hole
- PAD5 6-32 Mounting Slot
- PAD6 6-32 Mounting Slot
- PAD9 6-32 Tappable Mount
- PAD11 6-32 Tappable Mount

Molex
Digkey
15134-0400
Quantity: 1
PicoBlade 4Pos 50mm Cable Assy

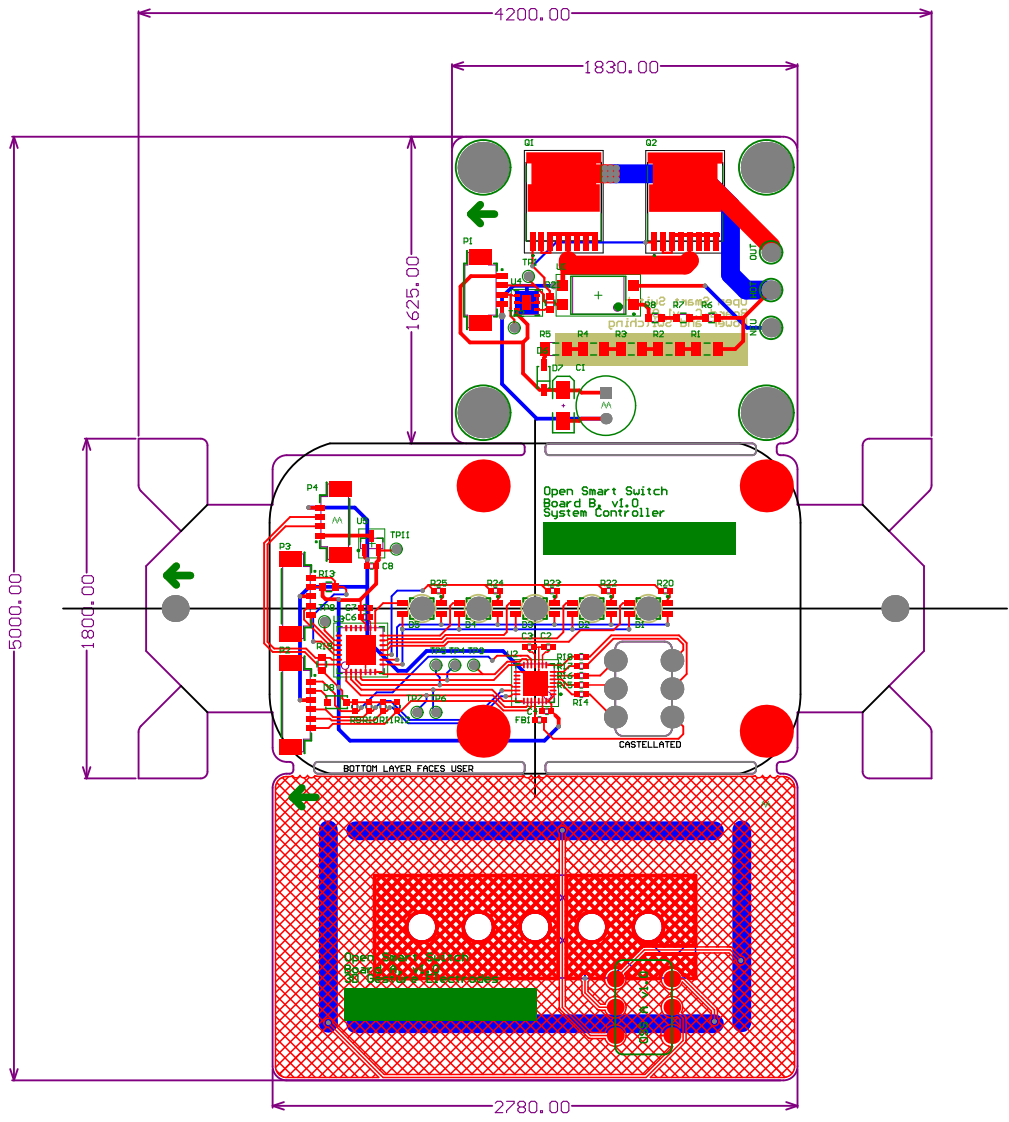
Place On Daughterboard



- Keystone Electronics
Digkey
3360
Quantity: 4
#6 Nylon Washer
- Esentra Component
Digkey
NSP-6-5-01
Quantity: 4
#6-32 Nylon Screw



Title: Open Smart Switch			Open Smart Switch
Variant: [No Variations]			Copyright 2019 J. Rowley
Asm:	Number: SCH*****	Rev: V1.0	Released Under the
Date: 1/25/2019	Time: 9:37:13 PM	Sheet1 of 1	MIT License
File: Light Switch.ironclad.current.SchDoc			



- Notes:**
1. Base material is 0.062 thick FR4
 2. Foils to finish at 1oz
 3. All hole sizes are after plating
 4. Soldermask with L.P.I, Color is Green
 5. Soldercoat after soldermask
 6. Silkscreen with white epoxy
 7. Holes with zero diameter pads are unplated
 8. Castellated pads on inner cutout as noted

ENGINEER: James Rowley	TITLE: Open Smart Switch	
PCB DESIGNER: James Rowley		
DATE: 1/25/2019	LICENSE:	REV: v1.0
SHEET SIZE: LETTER	Copyright 2019 James Rowley Released Under the MIT License	
FILE PATH:	SCALE:	

Designator	Footprint	LibRef	MANF	MANF_PN	MENF_PN	REV Description	Quantity	Type	Value	VENDOR	VENDOR_PN
C1	CAPR3.5-8x1.5 NP	176	Panasonic	ECE-A1EN101U	CAPO0039	Capacitor Bipolar 100uF, 25V, 20% Tol. SMC Electrolytic	1	Bipolar	100uF	Digkey	P1180-ND
C2, C3	0402(1005)	1803	Murata	GRM155R60J473M E1FD	7771803	Capacitor, Ceramic, 4.7uF, 6.3V, 20% Tol. SMC, X7R, 0402, SMD	2	Ceramic	4.7uF	Digkey	490-540B-1-ND
C4, C7	0402(1005)	1875	Samung (Electro-Mechanics)	C105E104K020N9N-C	7771875	Capacitor, Ceramic, 0.1uF, 6.3V, 10% Tol. 125C, X7R, 0402, SMD	2	Ceramic	0.1uF	Digkey	1276-1511-1-ND
C6, C8	0402(1005)	1876	Murata Electronic	GCM155C71A105K SMD	7771876	Capacitor, Ceramic, 1uF, 10V, 10% Tol. 125C, X7S, 0402, SMD	2	Ceramic	1uF	Digkey	490-1249-1-ND
D1, D2, D3, D4, D5	SunLED_FLCC-4 Reverse	1736	SunLED	X2MKN2C30G0455	7771736	LED, RGB, 0.02A, Reverse Mount, Common Cathode Clear Silicone Lens, PLCC, SMD	5	RGB		Digkey	1497-1257-1-ND
D6	SOD123	1462	Diodes Inc.	1N4148W-3-F	7771462	Diode, Rectifier, 100V, 0.1A, 115V, 4ms Reverse Recovery, SMA, SMD	1	Rectifier		Digkey	1N4148W-FDICT-ND
D7	SMA	222	Micro Commercial Ce	SMAA4742A-TP	0D500010	Diode, Zener, 12V, 0.01A, 1W, SMA, SMD	1	Zener		Digkey	SMAA4742A-TRCT-ND
D8	SOD323	1950	Infinion Technologies	BA53010A03WEA3 27H75A1	7771950	Diode, Rectifier, 30V, 1A, SOD-323, SMD	1	Rectifier		Digkey	BA53010A03WEA3 27H75A1CT-ND
F81	0402(1005)	1818	Murata	BLM11P2K215N1D	7771818	Inductor, Ferrite Bead, 1.2A, 0.15 Ohms, 220 Ohm at 100MHz, 0402, SMD	1	Ferrite Bead		Digkey	490-11022-1-ND
HOT, NEU, OUT	TESPOINT062	1638	Keystone Electronics	5124	7771638	Connector, Test Point, Purple, Long, Thick Hole, 0.22" x 0.63" Dia	3	Test Point		Digkey	36-5124-ND
M1, M2, M3, M4	KEYSTONE 489X	4893	Keystone Electronics	4893			4			Digkey	36-4893CT-ND
M5, M6, M7, M8, M9, M10, M11, M12, M13	Mechanical No Footprint		Keystone Electronics	Essenta Components, Molex	3360 NQP-A-5-01, 33134-0400		9			Digkey	36-3360-ND, MWT6296-ND
P1	MOLEX PICOBLADE 4 POS HORZ SMD	MOLEX 53261-0471	Molex	53261-0471			1			Digkey	WM7622CT-ND
P2	MOLEX PICOBLADE 6 POS SMD	MOLEX 53398-0671	Molex	53398-0671			1			Digkey	WM7610CT-ND
P3	MOLEX PICOBLADE 5 POS SMD	1731	Molex	53398-0571	7771731	Connector, PicoBlade, 5 Positions, Male, 0.049" Spacing, 1A, 1.25V, Vert. SMD, Locking, Tin, SMD	1	PicoBlade		Digkey	WM7609CT-ND
P4	MOLEX PICOBLADE 4 POS SMD	1732	Molex	53398-0471	7771732	Connector, PicoBlade, 4 Positions, Male, 0.049" Spacing, 1A, 1.25V, Vert. SMD, Locking, Tin, SMD	1	PicoBlade		Digkey	WM7608CT-ND
PAD1, PAD2, PAD3, PAD4, PAD5, PAD6, PAD9, PAD11, PAD13, PAD14, PAD15, PAD16, PAD17, PAD18, PAD19, PAD20, PAD21, PAD22, PAD23, PAD24, PAD25, PAD26, PAD27, PAD28, PAD29	PS, HDLE, 6-PAD19, PAD20, 52, SAMPABLE, INTERBOARD_UPP ER, INTERBOARD_LO WER, LED_THRU PAD						25				726-IP16R028G7X1MA 1
Q1, Q2	TRANS_IP16R028G7X1MA 1	IP16R028G7X1MA 1	Infinion Technologies	IP16R028G7X1MA 1			2			Mouser	
R1, R2, R3, R4, R5	1206(3216)	1964	Susumu	HRC3216P-1001-D T1	7771964	Resistor, Thin Film, 1k Ohms, 1W, 0.5% Tol, 200V, 1206, SMD	5	Thin Film	1k	Digkey	408-1866-1-ND
R6, R7, R8	0603(1608)	1276	Stackpole Electronics	RMCF0603F16K04	7771276	Resistor, Thick Film, 6.04k Ohms, 0.1W, 1% Tol, Non-Standard Value, 0603, SMD	3	Thick Film	6.04k	Digkey	RMCF0603F16K04CT-ND
R9, R12	0402(1005)	1874	Vago	0C20402R-0710K	7771874	Resistor, Thick Film, 10k Ohms, 0.063W, 1% Tol, 2.32 kOhms ±1% (0.063W, 0710W Chip Resistor 0402 (1005 Metric) Automotive AEC-Q200 Thick Film, 0402, SMD	2	Thick Film	10k	Digkey	311-10.0K0RCT-ND
R10, R11	0402(1005)	1892	Stackpole Electronics	RMCF0402F10K32	1892	Resistor, Thick Film, 10.0k Ohms, 0.1W, 1% Tol, 200V, 0603, SMD	2	Thick Film	2.32k	Digkey	RMCF0402F10K32CT-ND
R13, R19	0603(1608)	1279	Vago	RC0603F-0710K	777739	Resistor, Thick Film, 10k Ohms, 0.063W, 1% Tol, 100V, 0603, SMD	2	Thick Film	10k	Digkey	311-10.0K0RCT-ND
R14, R15, R16, R17, R18	0402(1005)	1806	Stackpole Electronics	RMCF0402F10K0C	7771806	Resistor, Thick Film, 10k Ohms, 0.063W, 1% Tol, 100V, 0402, SMD	5	Thick Film	10k	Digkey	RMCF0402F10K0CCT-ND
R20, R22, R23, R24, R25	0402(1005)	1968	Vago	198C0402R-0748R	7771968	Resistor, Thick Film, 480 Ohms, 1%, 0.063W, Thick Film, 0402, SMD	5	Thick Film	48	Digkey	311-48.0RCT-ND
R21	0603(1608)	1741	Vishay Dale	RC0603000020EA	7771741	Resistor, Thick Film, 0.0 Ohms, 0.25W, 75V, 20m Ohm Max, 0603, SMD	1	Thick Film	0.0	Digkey	541-2779-1-ND
BP1, BP2, BP3, BP4, BP5, BP6, BP7, BP8, BP11	TESPOINT024	49	Keystone Electronics	1998-3	CON00002	Connector, Test Point, 1 Positions, Male, Small, 0.22" Straight Pin, 0.02" dia	6	Test Point		Digkey	1998-3K-ND
U1	50P254P1000X265 4N	1959	Vishay Semiconductor Opto Division	5F16206-2	7771959	IC, Optoisolator, AC, 1300Vrms, 10mA@1.25V Sensor, 3D	1	Optoisolator		Digkey	5F16206-2-ND
U2	2F165P000X000-28VAN	1965	Microchip	MGC3130-UMQ	7771965	IC, Gesture, Microchip GestIC Position/Gesture Sensor, QFN-28, SMD	1	3D Gesture		Digkey	MGC3130-UMQ-ND
U3	2F165P000X000-28N	1952	Microchip	PIC18F27K42-UMQ	1952	IC, Microprocessor, PIC PIC-8 ALP™ 18K Microcontroller IC, 8-Bit, 4MHz, 128KB (64K x 16) FLASH, 28 QFN (Ball), UCN-28, SMD	1	Microprocessor		Digkey	PIC18F27K42-UMQ-ND
U4	WS0N-6	1967	Infinion Technologies	11EDN7512GXTMA1	7771967	IC, MOSFET Driver, Low Side, N-Channel MOSFET Driver, 45A, 4.5-20V, WSON-6, SMD	1	MOSFET Driver		Digkey	11EDN7512GXTMA1CT-ND
U5	SO123-12-3TOP	977	Microchip	MCP102T, 3302/ECB	777977	IC, Voltage Regulator, 3.3V, 200mA, 0.4% Tolerance, 16VDC Max Input, SO1-28, SMD	1	Voltage Regulator		Digkey	MCP102T, 3302E/CBCT-ND