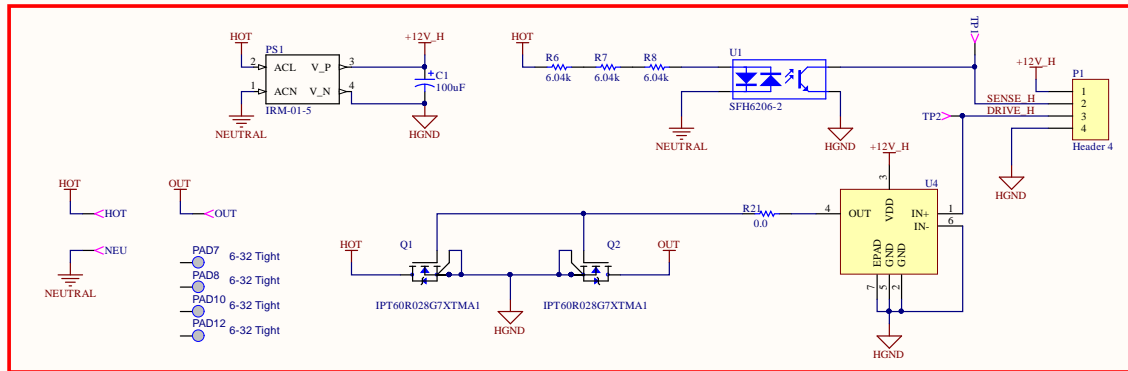


Place On Daughterboard



Title: Open Smart Switch (TOP ONLY)			Open Smart Switch
Variant: [No Variations]			Copyright 2019 J. Rowley
Asm:	Number: SCH*****	Rev: V2.0	Released Under the
Date: 1/25/2019	Time: 9:41:40 PM	Sheet1 of 1	MIT License
File: Light Switch.v2.0.TOP-081.VSchDoc			

1 2 3 4 5 6

A

A

B

B

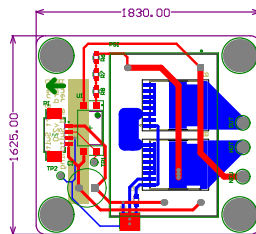
C

C

D

D

- Notes:
1. Base material is 0.062 thick FR4
 2. Foils to finish at 1oz
 3. All hole sizes are after plating
 4. Soldermask with L.P.I., Color is Green
 5. Soldercoat after soldermask
 6. Silkscreen with white epoxy
 7. Holes with zero diameter pads are unplated



FILE PATH:	ENGINEER:	TITLE:	
	PCB DESIGNER:	Open Smart Switch (TOP ONLY)	
	DATE:	PART NO.:	REV:
	SHEET SIZE:	DWG NO.:	SCALE:
	1/25/2019		v2.0
	TABLOID		

1 2 3 4 5 6

Designator	Footprint	LibRef	MANF	MANF_PN	MENG_PN	P&V Description	Quantity	Type	Value	VENDOR	VENDOR_PN
C1	CAPPR3.5-8x11.5 NP	176	Panasonic	ECE-A1EN101U	CAP00039	Capacitor, Bipolar, 100uF, 25V, 20% Tol, 85C, Electrolytic	1	Bipolar	100uF	Digikey	P1180-ND
HOT, NEU, OUT	TESTPOINT062	1638	Keystone Electronics	5124	???1638	Connector, Test Point, Purple, Loop, Thru Hole, 0.22", 0.063" Dia	3	Test Point		Digikey	36-5124-ND
P1	MOLEX PICOBLADE 4 POS HORZ SMD	MOLEX 53261- 0471	Molex	53261-0471			1			Digikey	WM7622CT-ND
PS1	CONV_IRM-01-5	IRM-01-5	MEAN WELL	IRM-01-5			1			Digikey	1866-2998-ND
Q1, Q2	TRANS_IPT60R028 G7XTMA1	IPT60R028G7XTMA 1					2				
R6, R7, R8	0603(1608)	1276	Stackpole Electronics	RMCF0603FT6K04	???1276	Resistor, Thick Film, 6.04k Ohms, 0.1W, 1% Tol, Non- Standard Value, 0603, SMD	3	Thick Film	6.04k	Digikey	RMCF0603FT6K04C T-ND
R21	0603(1608)	1741	Vishay Dale	RCS06030000Z0EA	???1741	Resistor, Thick Film, 0.0 Ohms, 0.25W, 75V, 20m Ohm Max, 0603, SMD	1	Thick Film	0.0	Digikey	541-2779-1-ND
TP1, TP2	TESTPOINT024	49	Keystone Electronics	1998-3	CON00002	Connector, Test Point, 1 Positions, Male, Small, 0.27" Straight Pin, 0.02" dia	2	Test Point		Digikey	1998-3K-ND
U1	SOP254P1000X265- 4N	1959	Vishay Semiconductor Opto Division	SFH6206-2	???1959	IC, Optoisolator, AC, 5300Vrms, 10mA@1.25V	1	Optoisolator		Digikey	SFH6206-2-ND
U4	WS0N-6	1967	Infineon Technologies	1EDN7512GXTMA1	???1967	IC, MOSFET Driver, Low-Side, N- Channel MOSFET Driver, 4/8A, 4.5- 20V, WS0N-6, SMD	1	MOSFET Driver		Digikey	1EDN7512GXTMA1 CT-ND