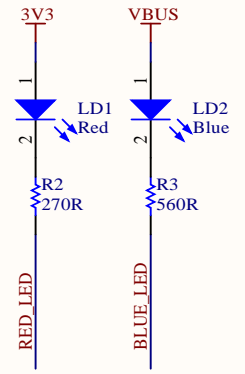
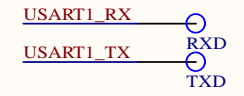
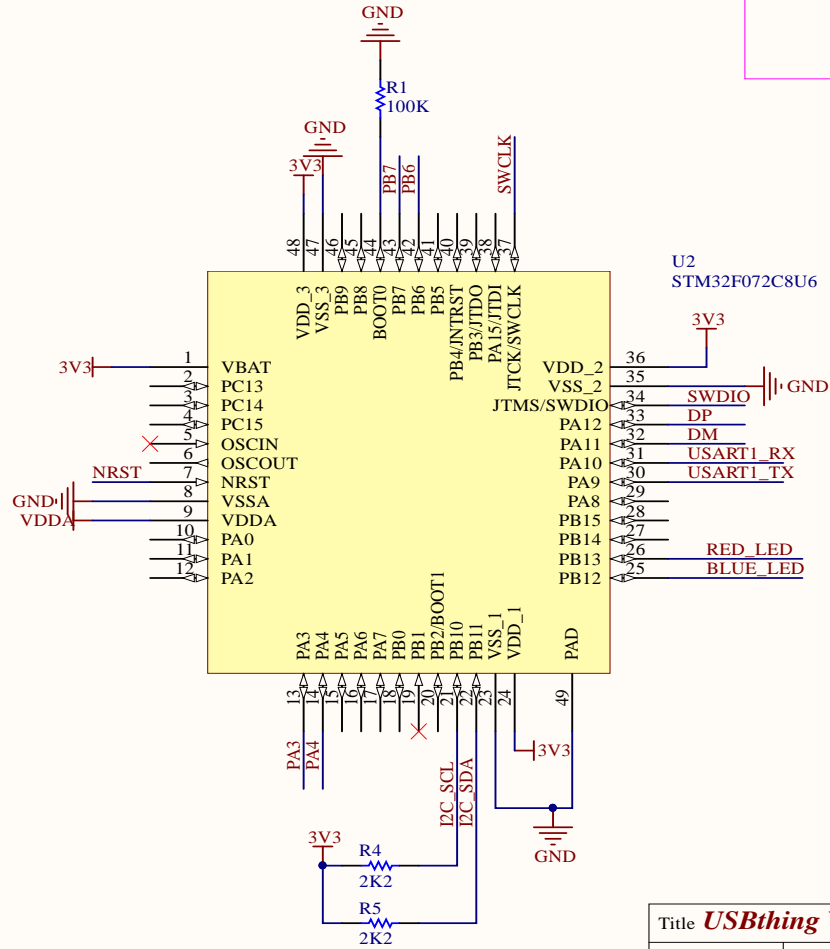
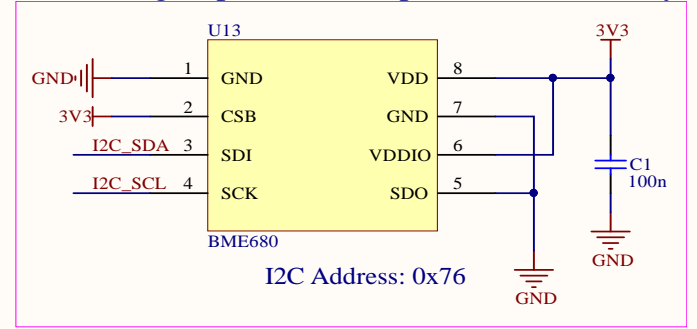
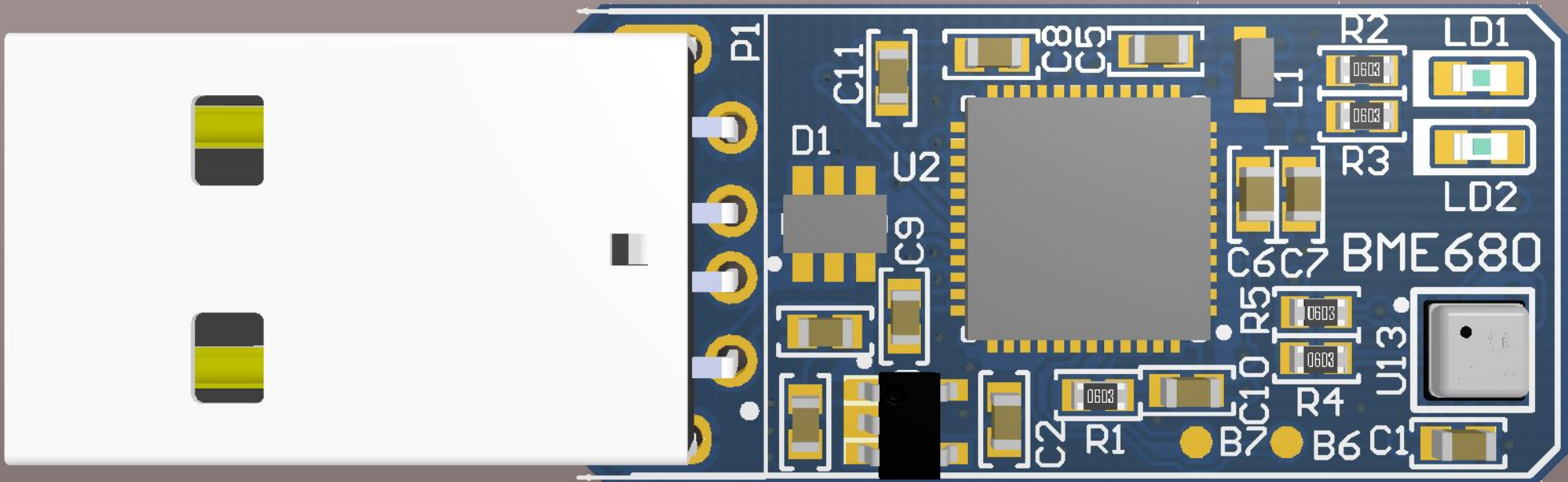
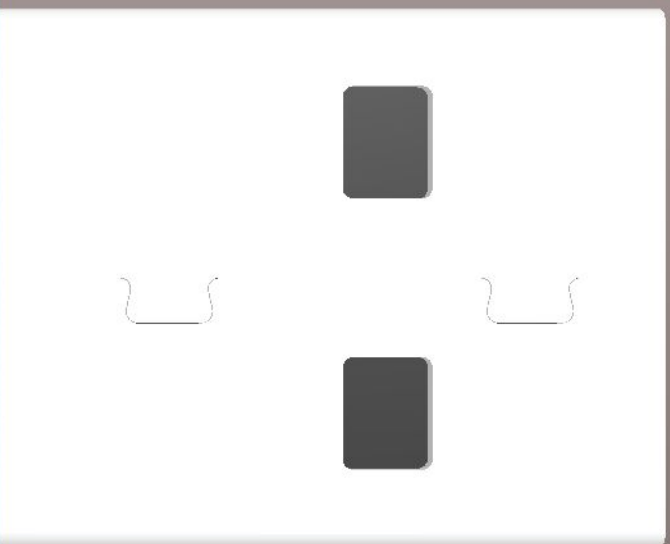


Bosch BME680: VOC gas, pressure, temperature & humidity



Title USBthing VOC sensor			Daniel Mancuso damancuso@ohmtech.io	
Size: A4	Number:	Revision: 1		
Date: 27/12/2018	Time: 20:17:49	Sheet: 1 of 1		
File: Z:\Documents\OhmTechProjects\usbThing VOC\USBThingPCB\MCU.SchDoc				





● TXD

● RXD

● GD

● A3

● A4

Air quality
sensor

● 3V3

● CLK

● DIO

● RST

● GND

rev.1



ohmtech.io