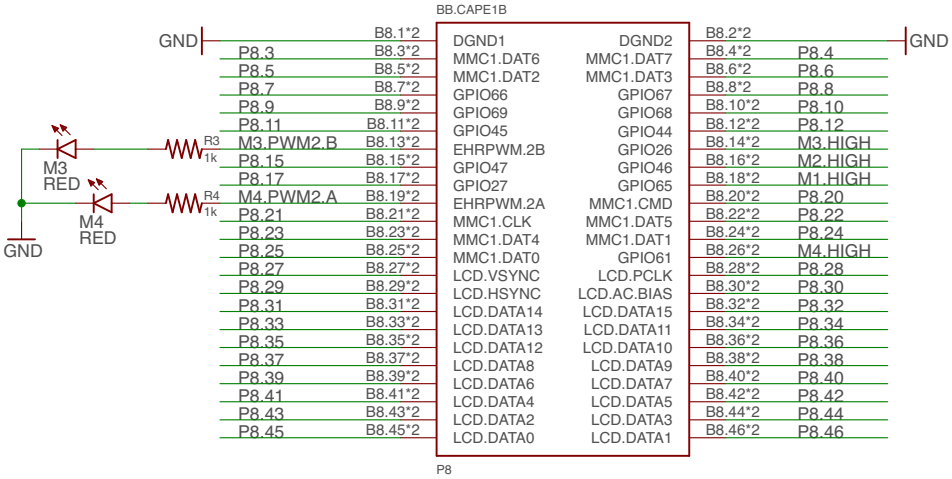
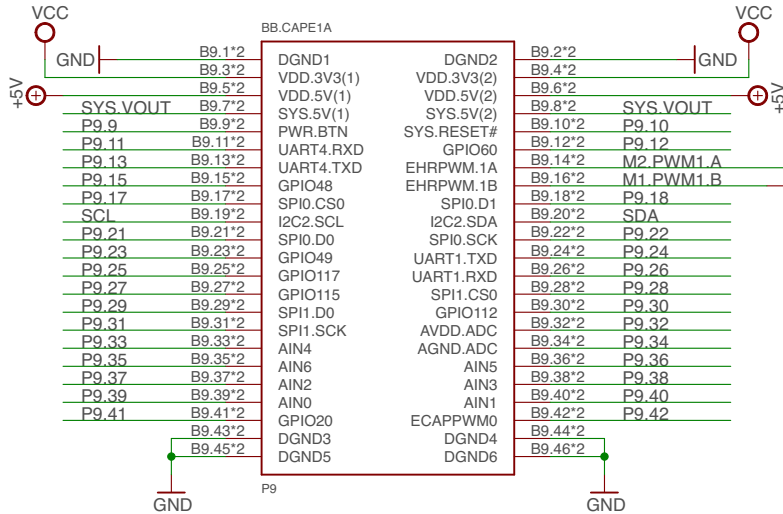


```

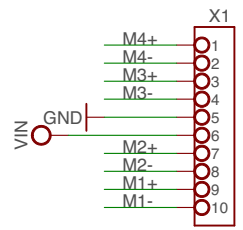
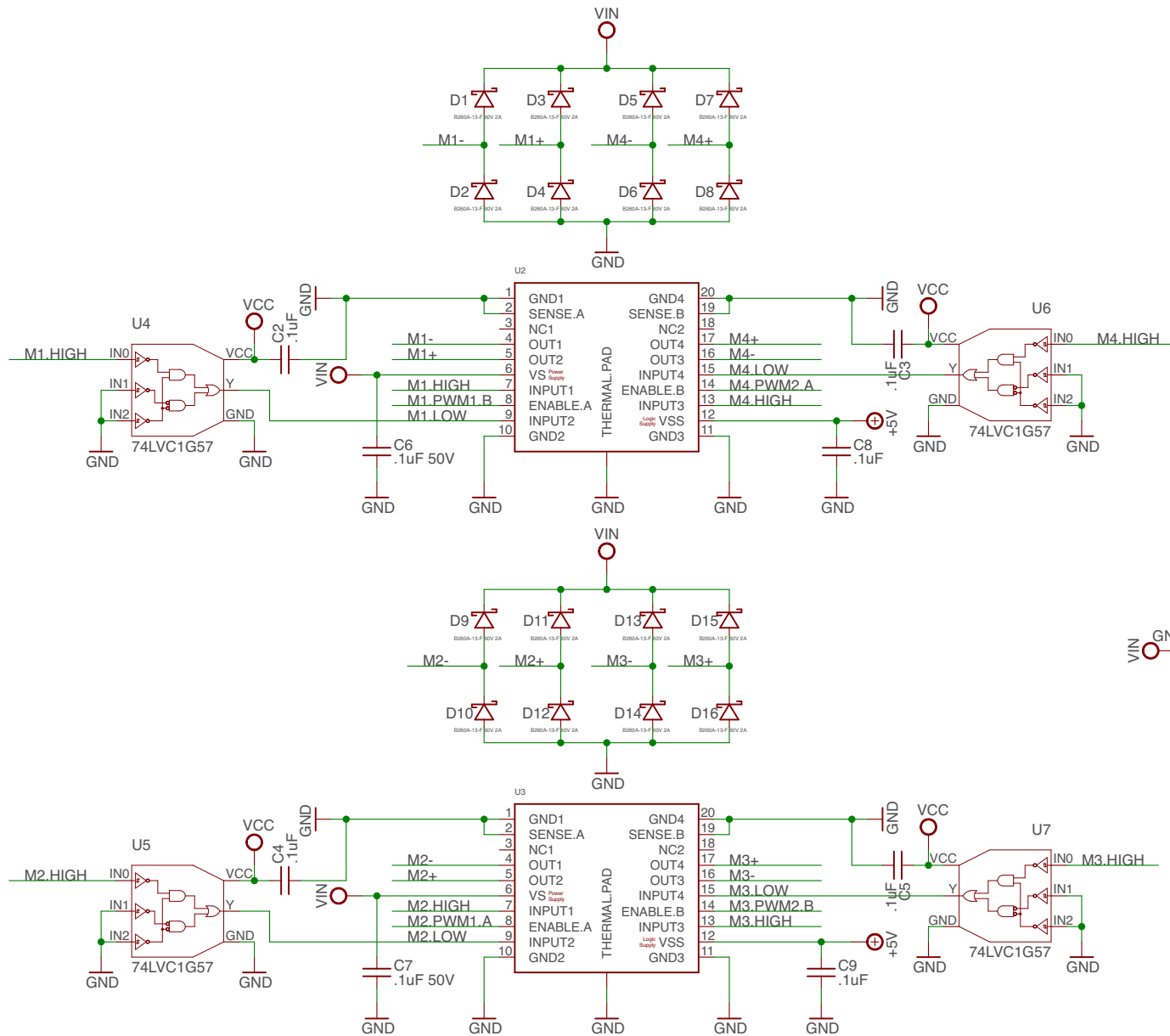
11011101A2IA1IA0IRW
-----
11011101LILILIRW = 0x50
11011101LILIHIRW = 0x51
11011101LILIHILIRW = 0x52
11011101LILIHILHILIRW = 0x53
11011101HILILIRW = 0x54
11011101HILIHILIRW = 0x55
11011101HILIHILHILIRW = 0x56
11011101HILIHILHILHILIRW = 0x57
    
```




BeagleBone Headers and EEPROM

TITLE: Motor_Cape	
Document Number:	REV: A2
Date: 1/25/18 12:16 PM	Sheet: 1/1





		Motor ICs and Header
TITLE: Motor_Cape		
Document Number:		REV: A2
Date: 1/25/18 12:16 PM		Sheet: 1/1