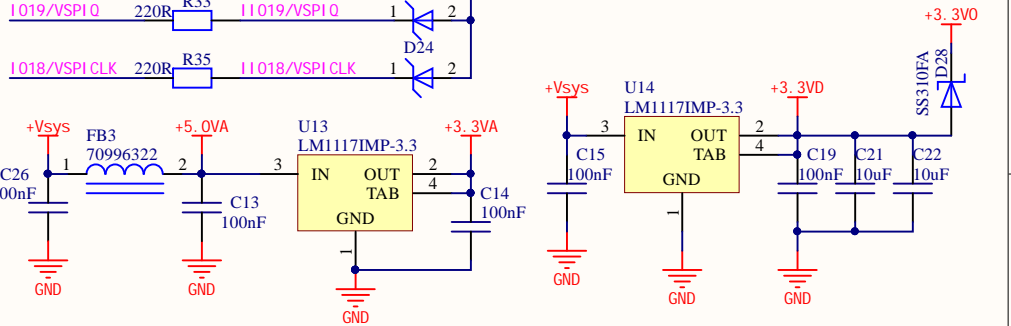
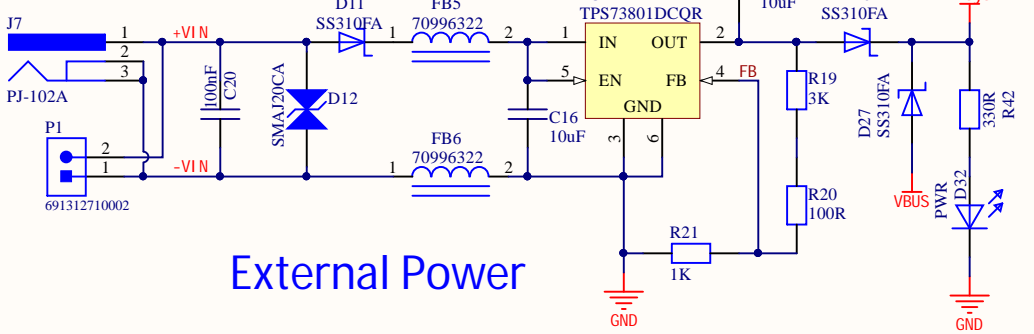
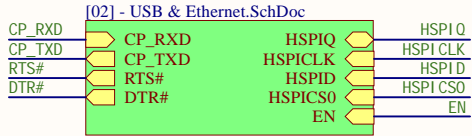
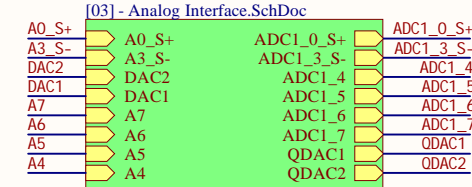
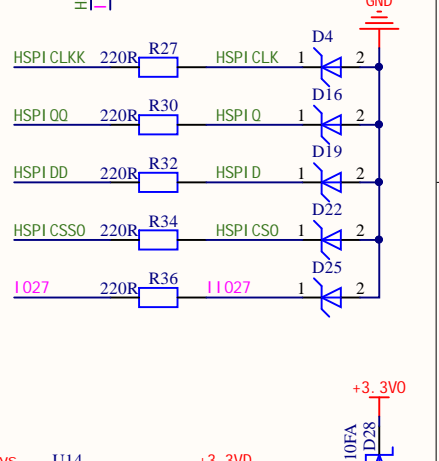
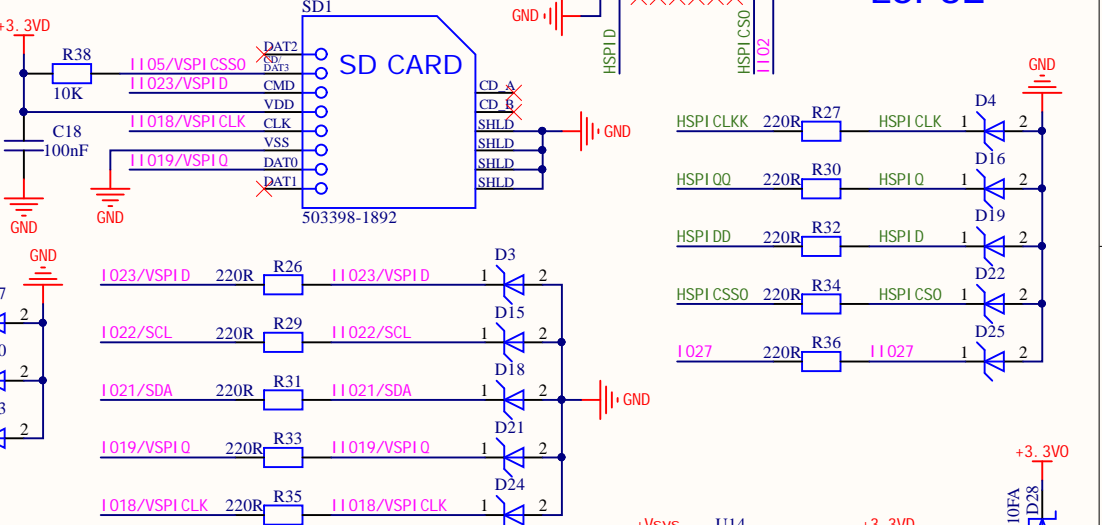
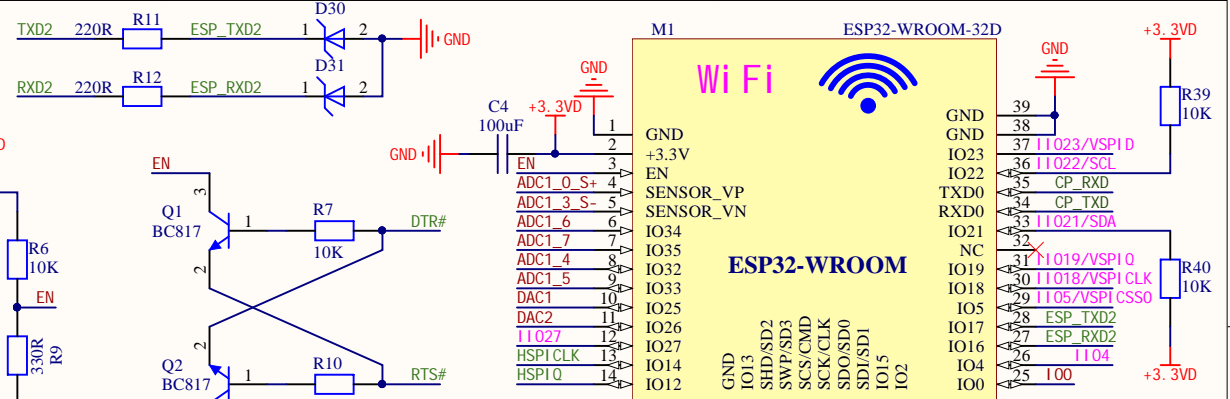
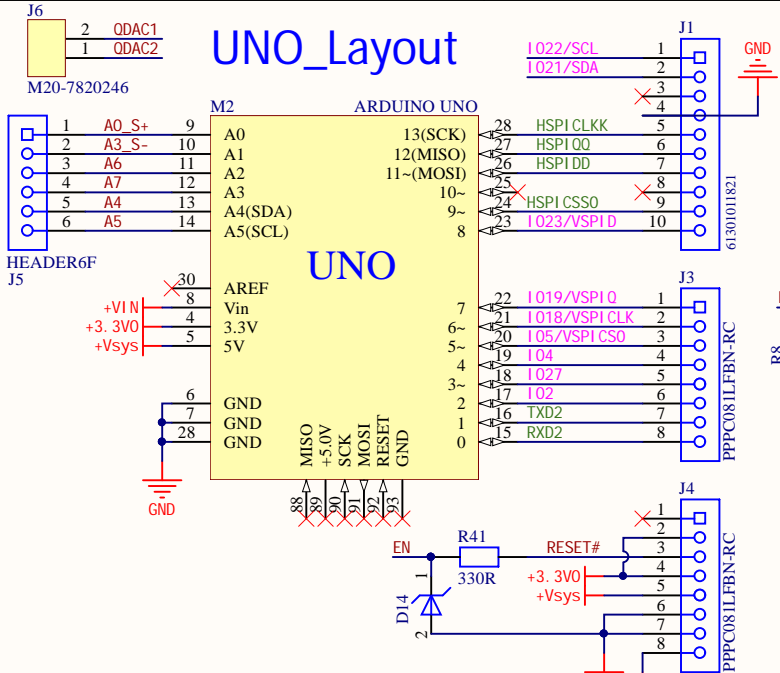
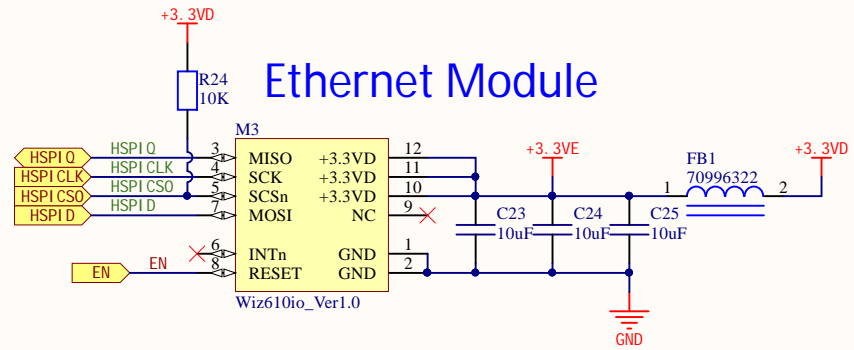


UNO_Layout

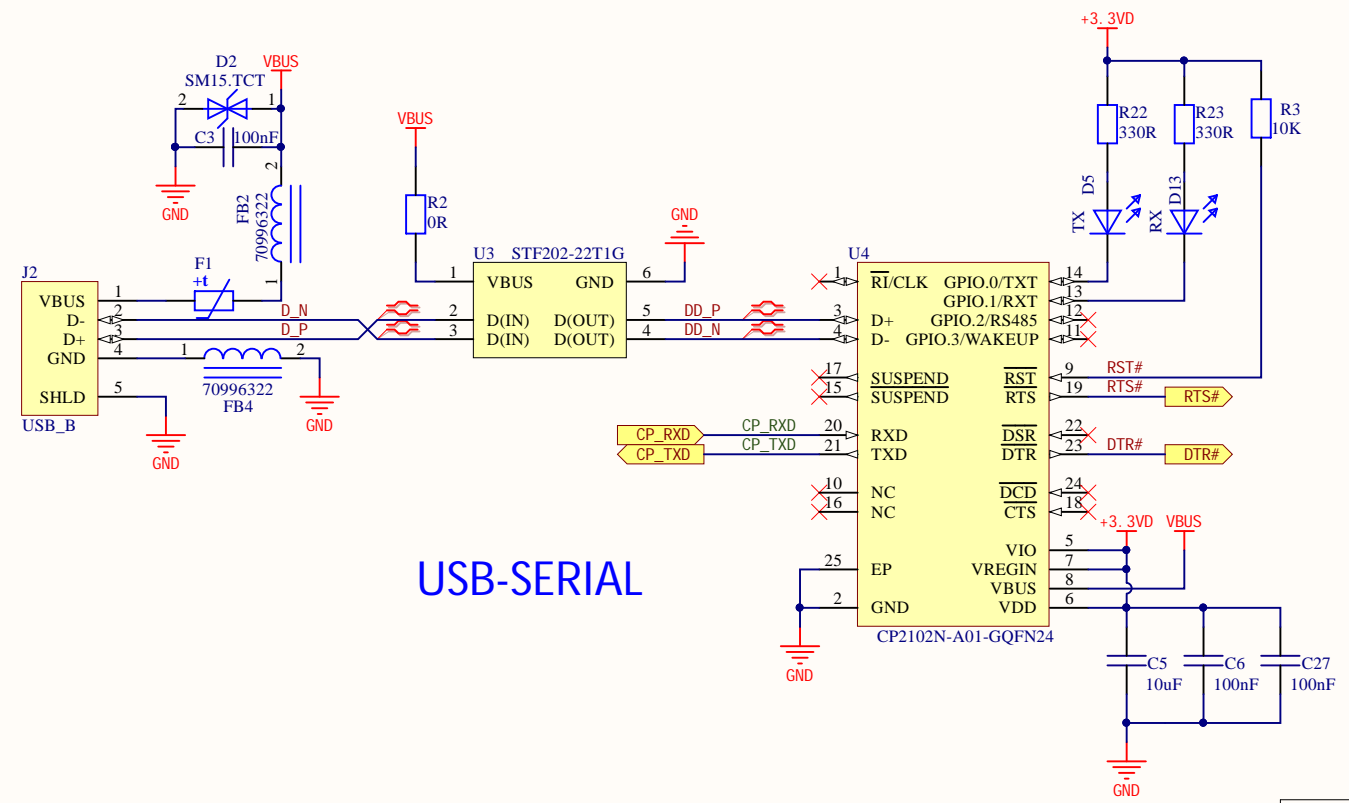


Title			ESP_Eagle_Ver1		
Size	A4	Number			Revision
					0
Date:	29/07/2019		Sheet	1 of 3	
File:	C:\Users\...\[01] - Micro & Power.SchDoc		Drawn By:	M.H.TAFOKH	

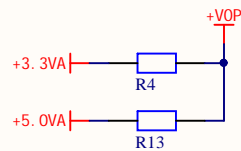
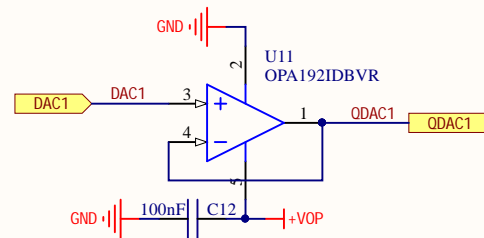
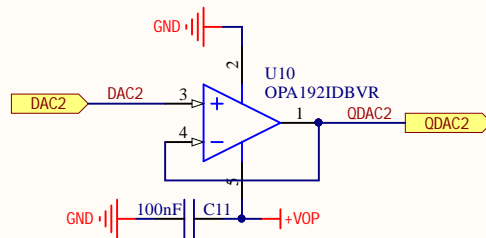
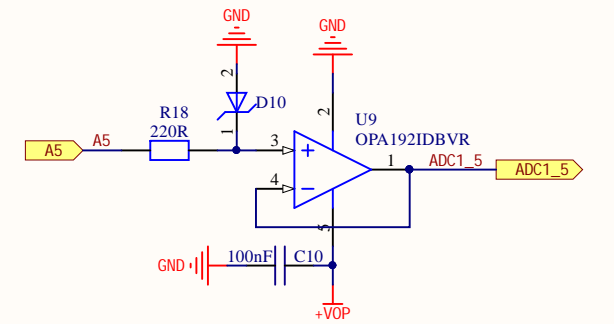
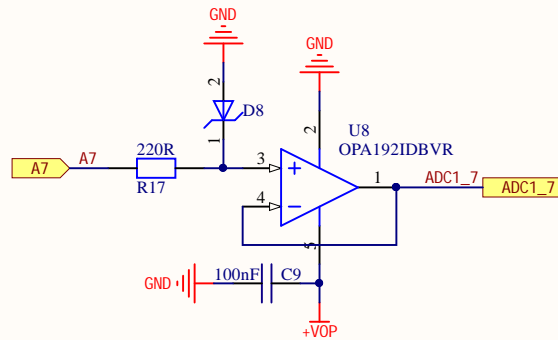
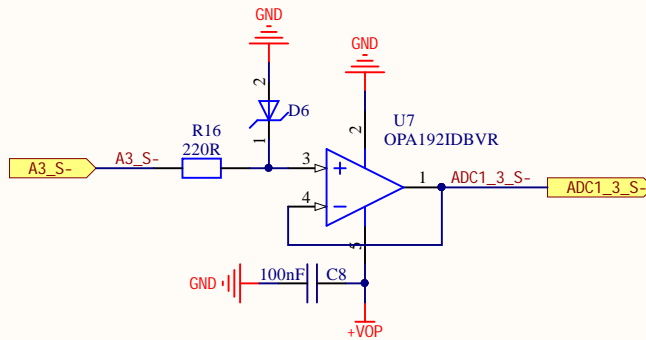
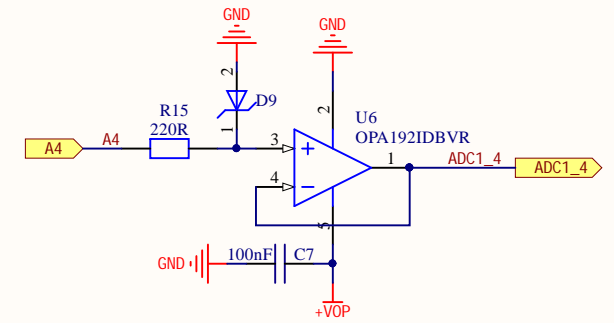
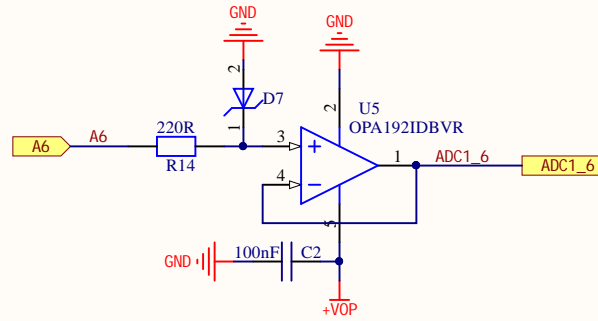
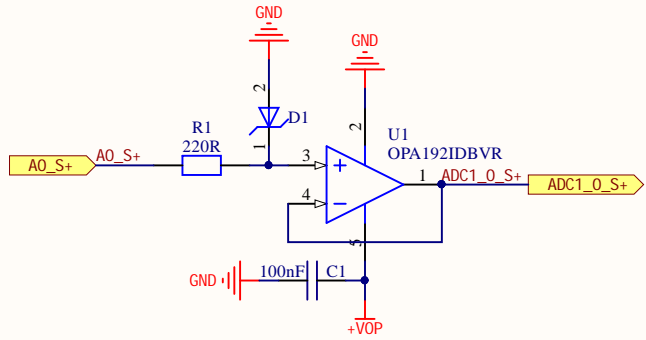
Ethernet Module



USB-SERIAL



Title			ESP_Eagle_Ver1
Size	Number	Revision	
A4		0	
Date:	29/07/2019	Sheet	2 of 3
File:	C:\Users\...\[02] - USB & Ethernet.SchDoc	Drawn By:	M.H.TarOKH



OPA192 is not the prototype opamp type. NCS325 is used instead. Choose R4 and R13 according to minimum operating voltage of the used opamp

Title			ESP_Eagle_Ver1
Size	Number	Revision	
A4		0	
Date:	29/07/2019	Sheet	3 of 3
File:	C:\Users\...\[03] - Analog Interface.SchDp		Drawn By: M.H.TarOKH