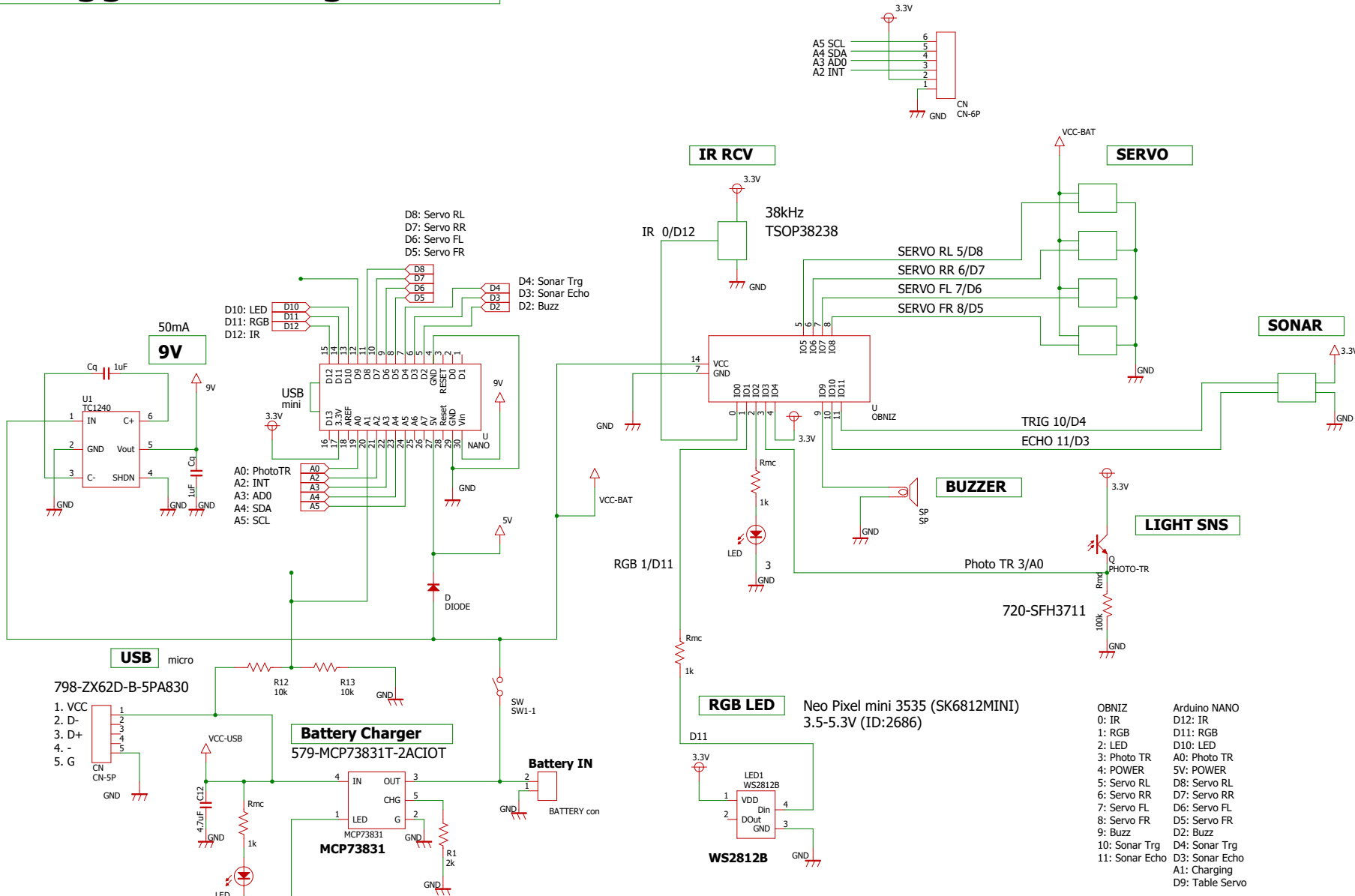


# 4-Legged Walking Robot



2kohm: 500mA  
 10kohm: 100mA  
 67kohm: 15mA  
 \* Current = 2C/Charge = 1C

TITLE		DRAWING_No	
4-Legged Walking Robot			
SHEET	DATE	DESIGN	
1 / 1	6/6/19	mmizuno	