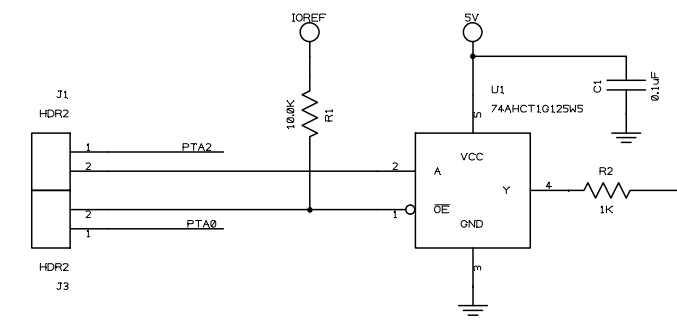


A B C D

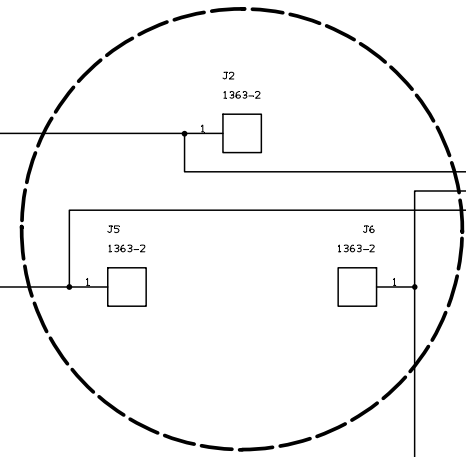
1

1

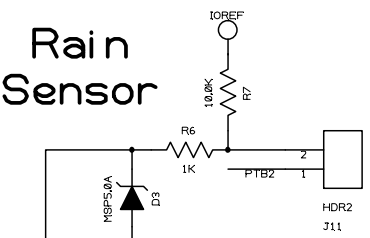
Remote Interface



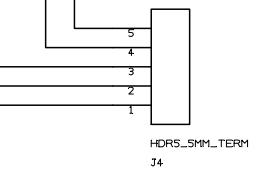
Hunter SmartPort



Rain Sensor



Terminal Block



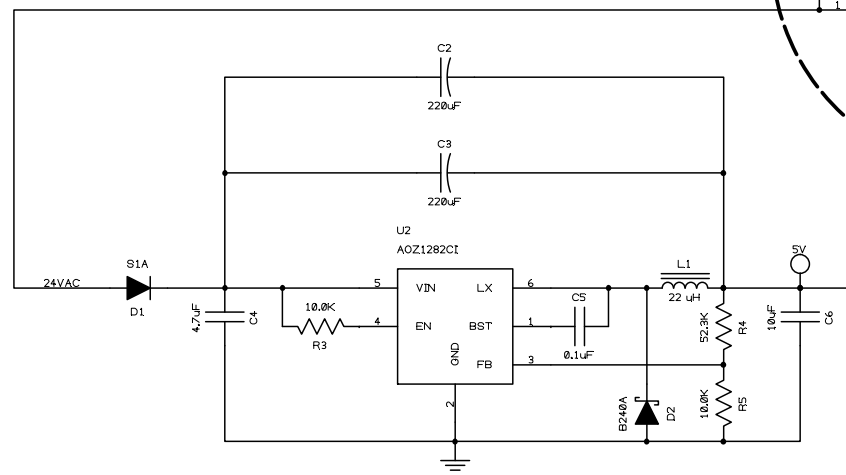
2

2

3

3

24VAC to 5VDC 1.2A Power Supply



4

4

Esquilo Corp.			
TITLE: Hunter Shield			
PAGE: Interface	DATE: 8/31/2015	REV: A0	
AUTHOR: Scott	SIZE: A	SHEET 1 OF 2	

A B C D

A

B

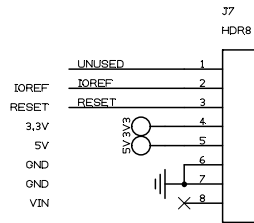
C

D

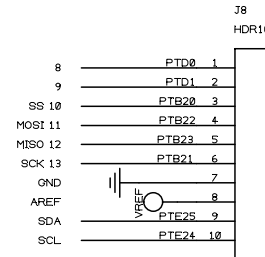
1

1

Ardui no Power



Ardui no Di gi tal 2

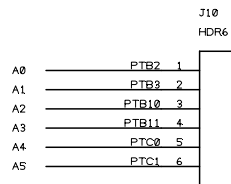


PIN	NAME	PERIPH	SIGNAL
8	PTD0	FTM3	CH0
9	PTD1	FTM3	CH1
10	PTB20	SPI2	CS0
11	PTB22	SPI2	SOUT
12	PTB23	SPI2	SIN
13	PTB21	SPI2	SCK
14	PTE25	I2C0	DA
15	PTE24	I2C0	CL

2

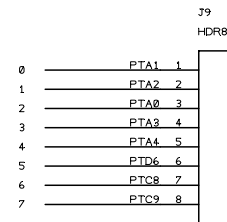
2

Ardui no Analog



PIN	NAME	PERIPH	SIGNAL
16	PTB2	ADC0	SE12
17	PTB3	ADC0	SE13
18	PTB10	ADC1	SE14
19	PTB11	ADC1	SE15
20	PTC0	ADC0	SE14
21	PTC1	ADC0	SE15

Ardui no Di gi tal



PIN	NAME	PERIPH	SIGNAL
0	PTA1	UART0	RX
1	PTA2	UART0	TX
2	PTA0	FTM0	CH5
3	PTA3	FTM0	CH0
4	PTA4	FTM0	CH1
5	PTD6	FTM0	CH6
6	PTC8	FTM1	CH4
7	PTC9	FTM1	CH5

3

3

4

4

Esquilo Corp.

TITLE: Hunter Shield

PAGE: Shield

DATE: 8/31/2015

REV: A0

AUTHOR: Scott

SIZE: A

SHEET 2 OF 2

A

B

C

D