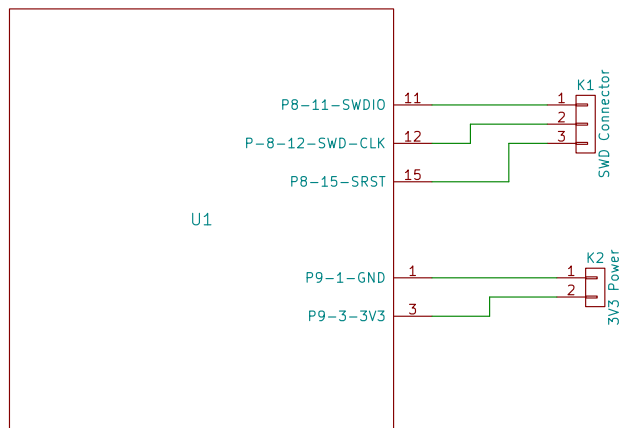


# BeagleBoneGreen



Sheet: /  
File: bbg-swd-connection.sch

**Title:**

Size: A4 Date:  
KiCad E.D.A. kicad 4.0.0rc1a-stable

Rev:  
Id: 1/1