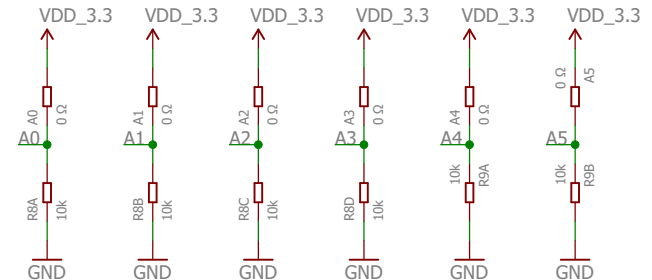


0 Ω pull-ups can be shorted by the user to hardcode the I2C hardware address of the PCA9685. By default the address will be 40h.



Released under the Creative Commons Attribution Share-Alike 4.0 License
<https://creativecommons.org/licenses/by-sa/4.0/>

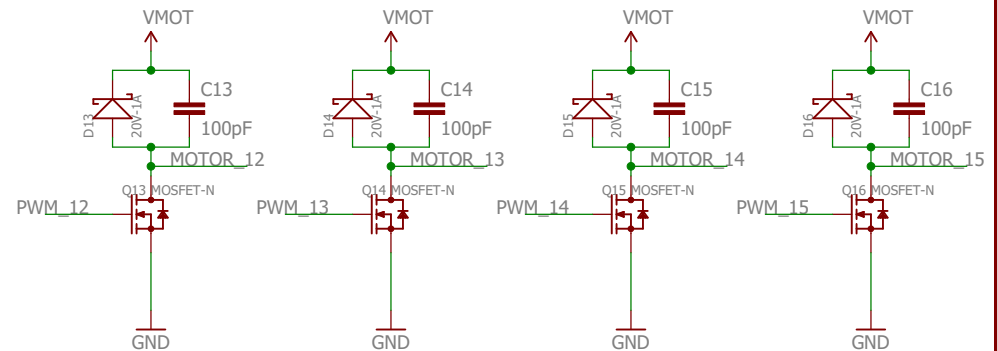
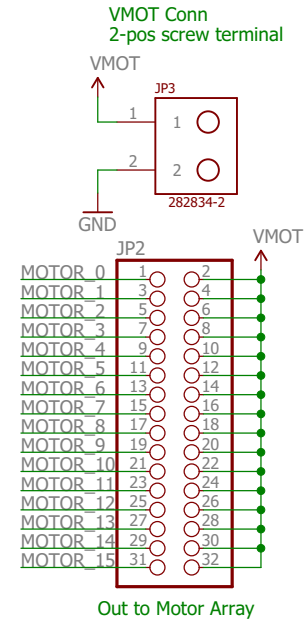
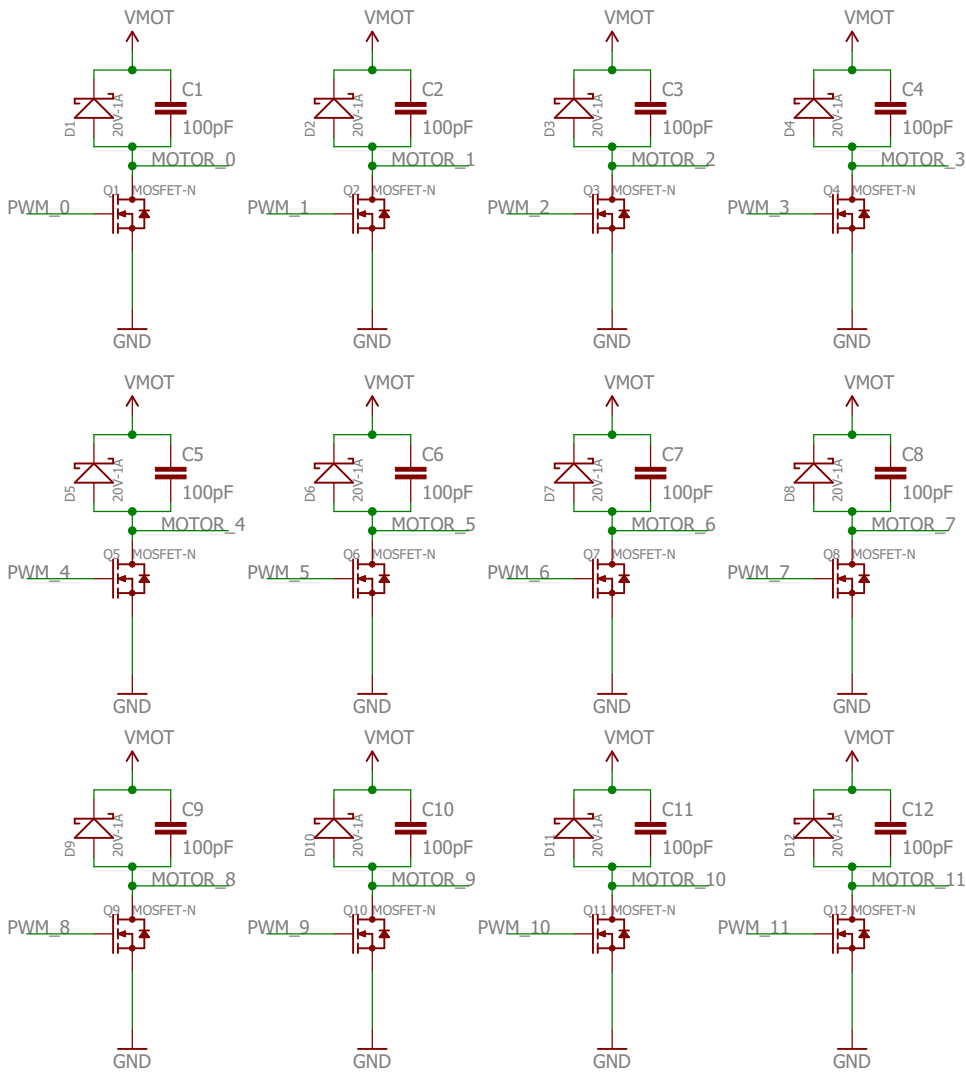
TITLE: Haptic Cape

Design by: Christopher Earley (coord.space)

REV:

Date: 3/30/2016 12:14 AM

Sheet: 1/2



Released under the Creative Commons
Attribution Share-Alike 4.0 License
<https://creativecommons.org/licenses/by-sa/4.0/>

TITLE: Haptic Cape

Design by:
Christopher Earley (coord.space)

REV:

Date: 3/30/2016 12:14 AM

Sheet: 2/2