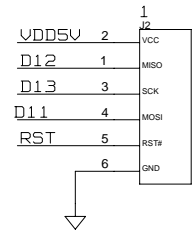
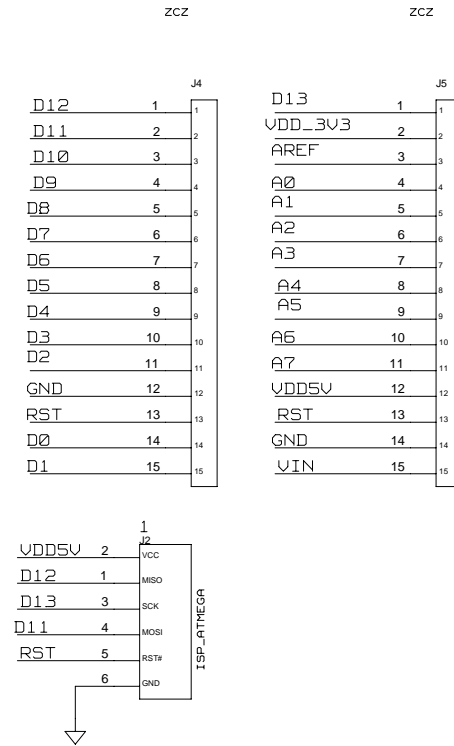
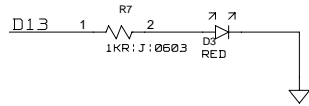
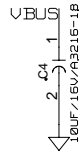
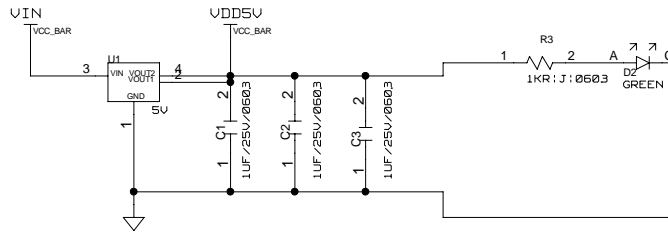
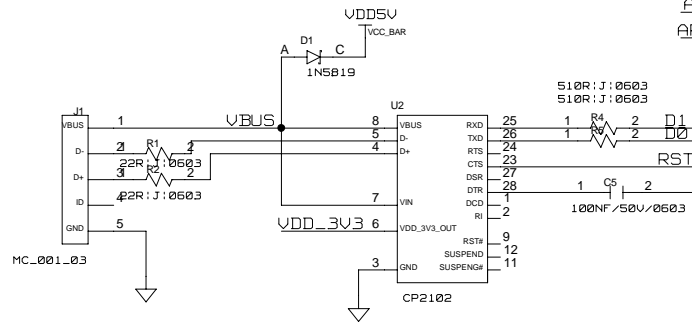


REVISIONS				
ZONE	LTR	DESCRIPTION	DATE	APPROVED

VDD=VDD5V; AVCC=VDD5V

U3 ATMEGA328P				
A6	19	ADCS	PD0_RXD	D0
A7	22	ADC7	PD1_TXD	D1
AREF	20	AREF	PD2_INT0	D2
			PD3_OC2B_INT1	D3
			PD4_XCK_T0	D4
			PD5_OCR0B_T1	D5
			PD6_OCR0A_AIN0	D6
			PD7_AIN1	D7
			PB0_CLKO_ICP1	D8
			PB1_OC1A	D9
			PB2_SS#_OC1B	D10
			PB3_MOSI_OC2A	D11
			PB4_MISO	D12
			PB5_SCK	D13
			PB6_XTAL1_TOSC1	16M_IN
			PB7_XTAL2_TOSC2	16M_OUT
			PC0_ADC0	A0
			PC1_ADC1	A1
			PC2_ADC2	A2
			PC3_ADC3	A3
			PC4_ADC4_SDA	A4
			PC5_ADC5_SCL	A5
			PC6_RESET#	RST



CONTRACT NO.			
APPROVALS	DATE		
DRAWN			
CHECKED			
		SIZE	CODE IDENT NO.
		B	
		DRAWING NO.	
		SCALE	SHEET OF

ITEAD