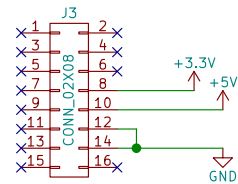
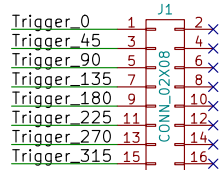
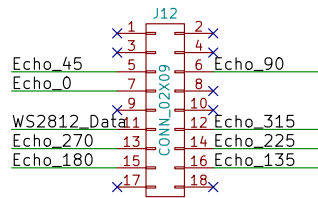
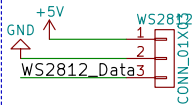


Kinetis FlexIO Ultrasonic Radar

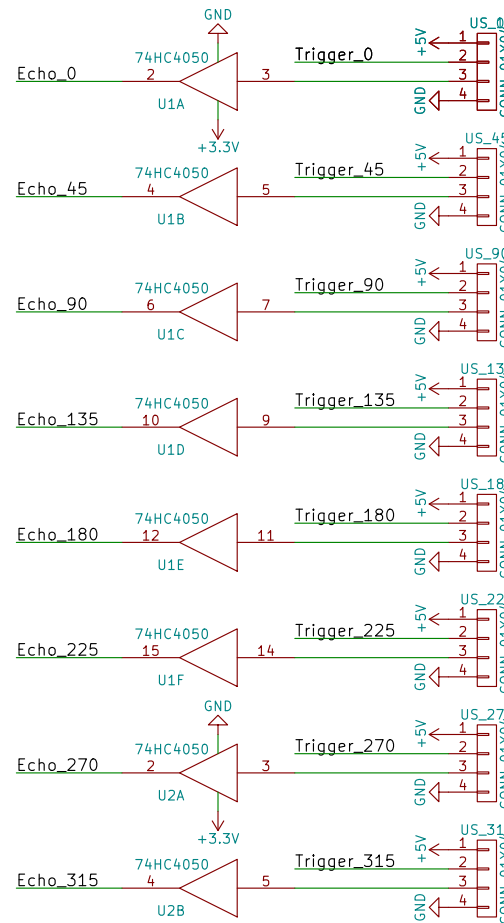
NXP FRDM-K82F



WS2812 LED



8 x HC-SR04



<https://github.com/mirkix/ultrasonicradar>
Mirko Denecke

Sheet: /
File: ultrasonicradar.sch

Title: Kinetis FlexIO Ultrasonic Radar

Size: A4 Date: 2016-06-26
KiCad E.D.A. kicad 4.0.2+dfsg1-stable

Rev: 1.0
Id: 1/1