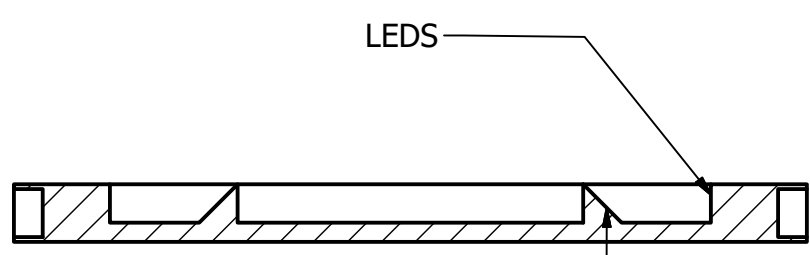
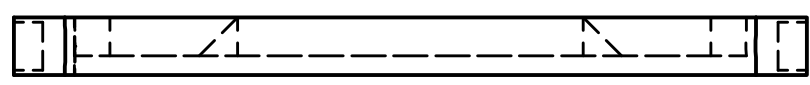
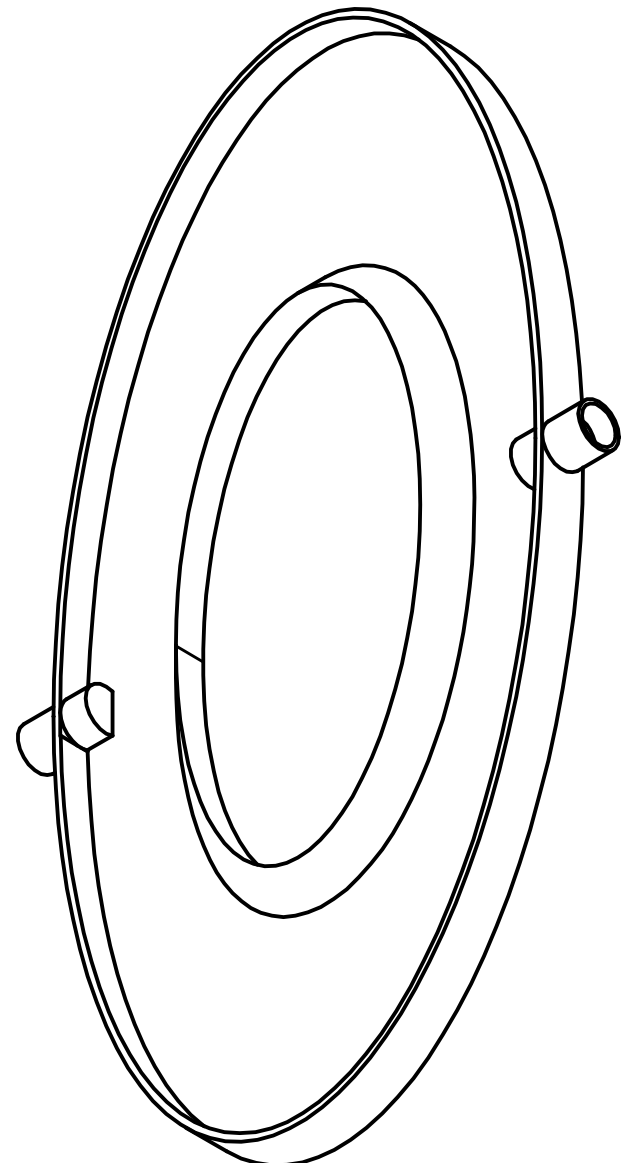
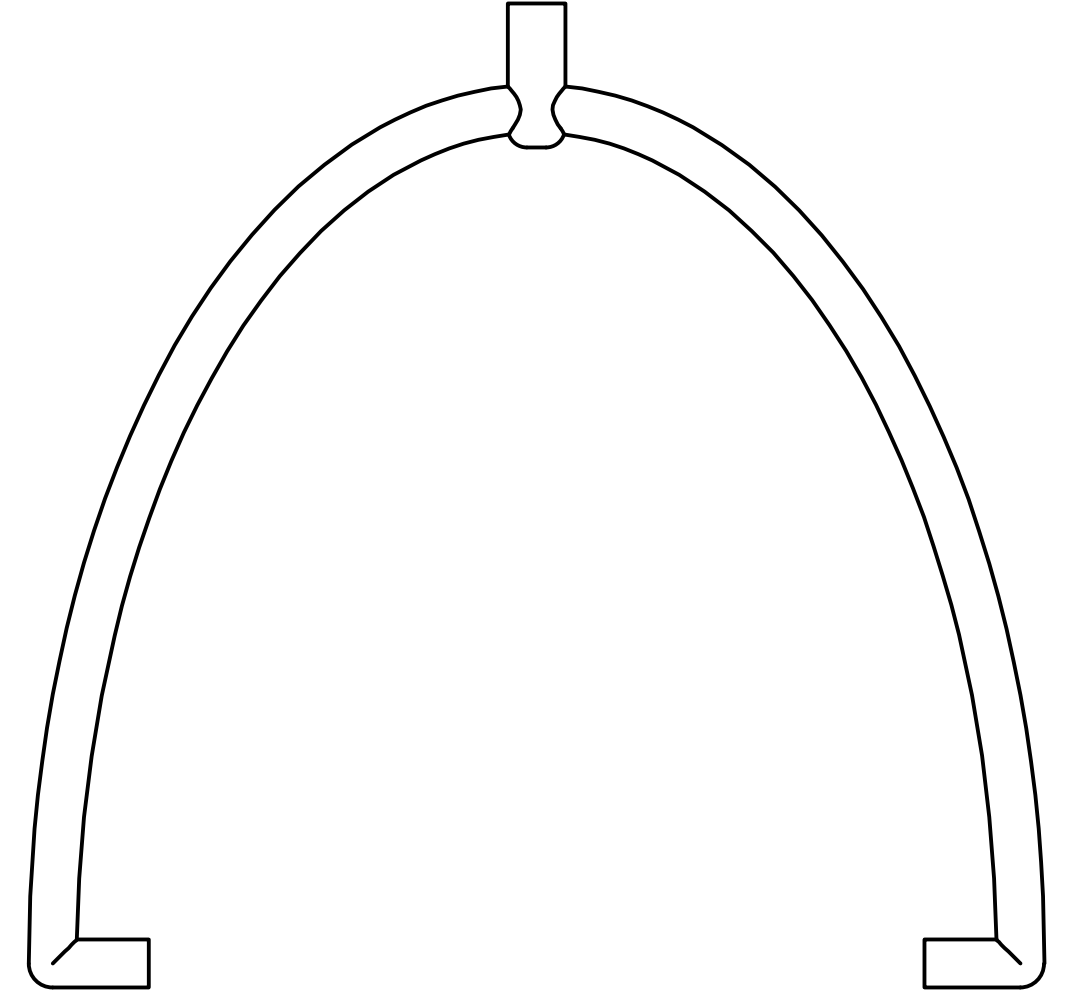
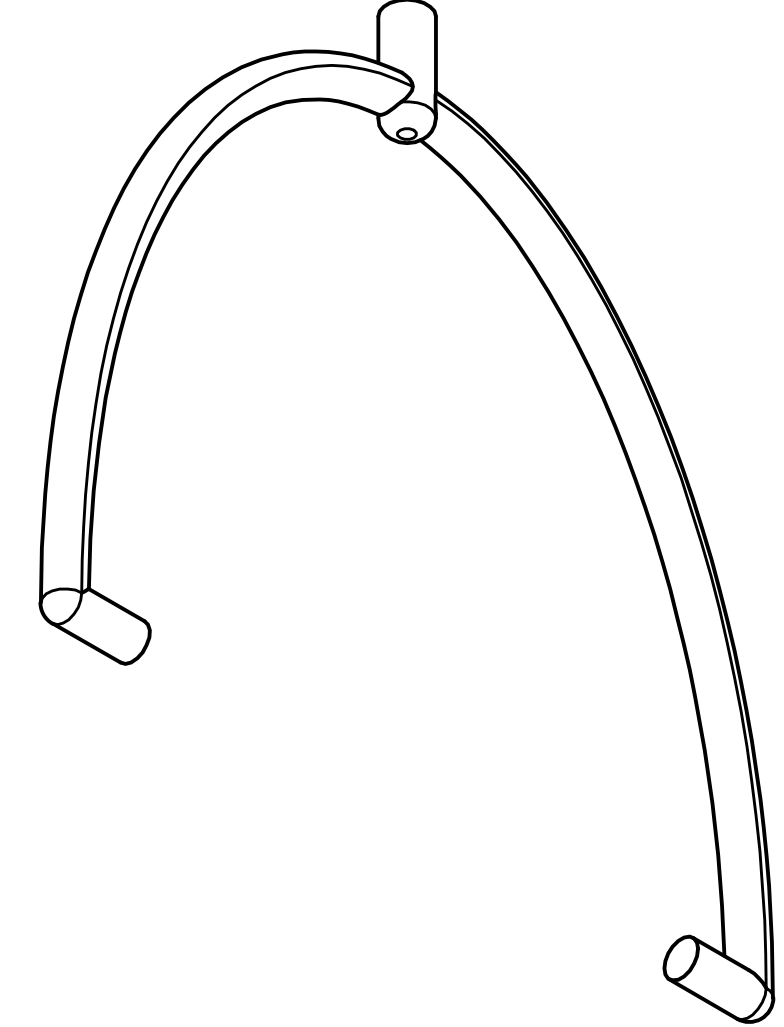
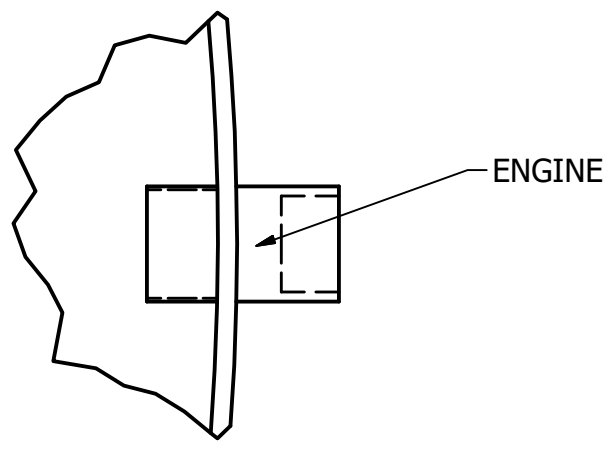


SECTION C-C



SECTION B-B



DETAIL D

DRAWN	danie	19/07/2016		
CHECKED			TITLE	
QA				
MFG				
APPROVED				
			SIZE	DWG NO
			D	Lampada
			SCALE	10 : 1
				SHEET 1 OF 1