

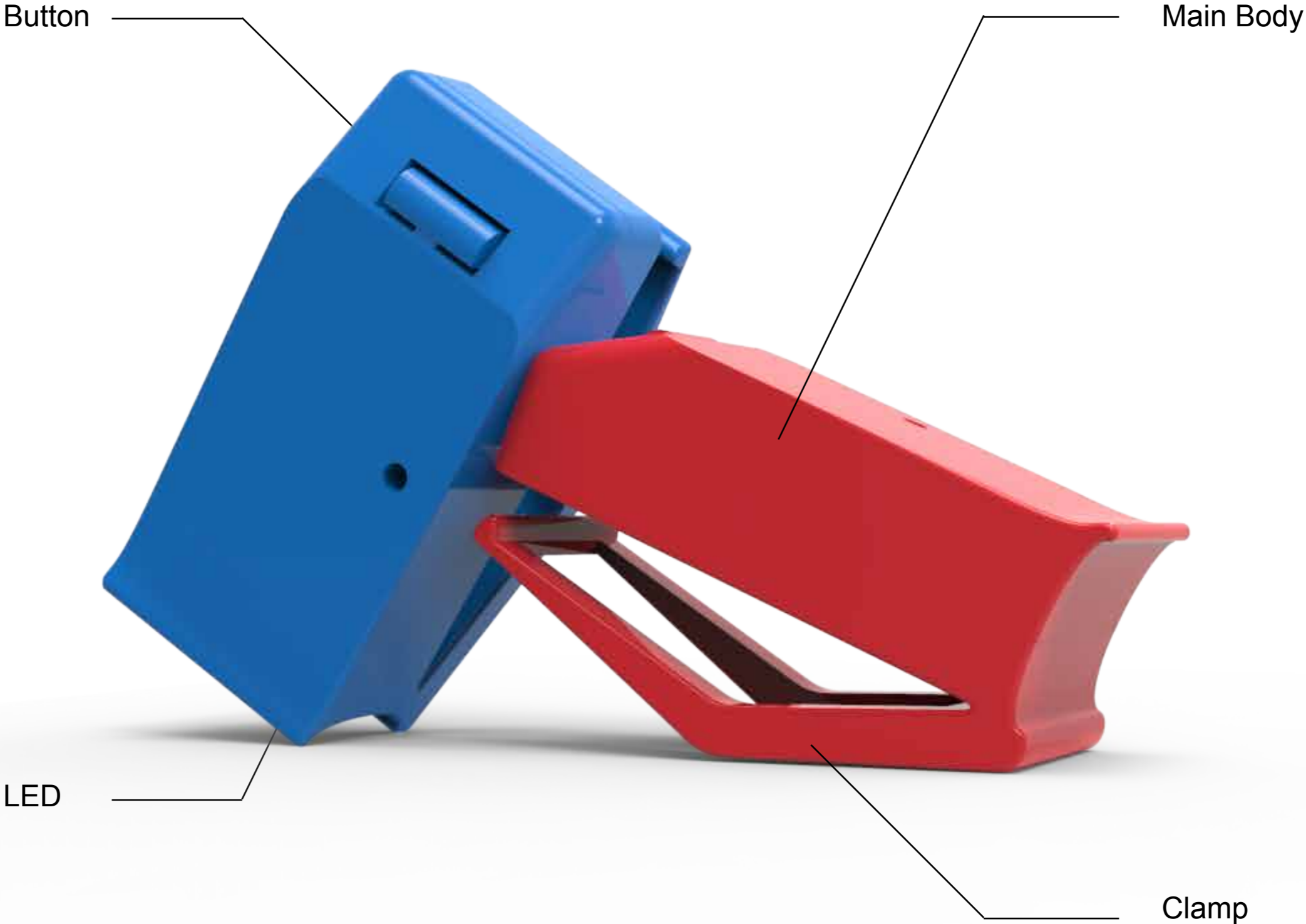


Meep

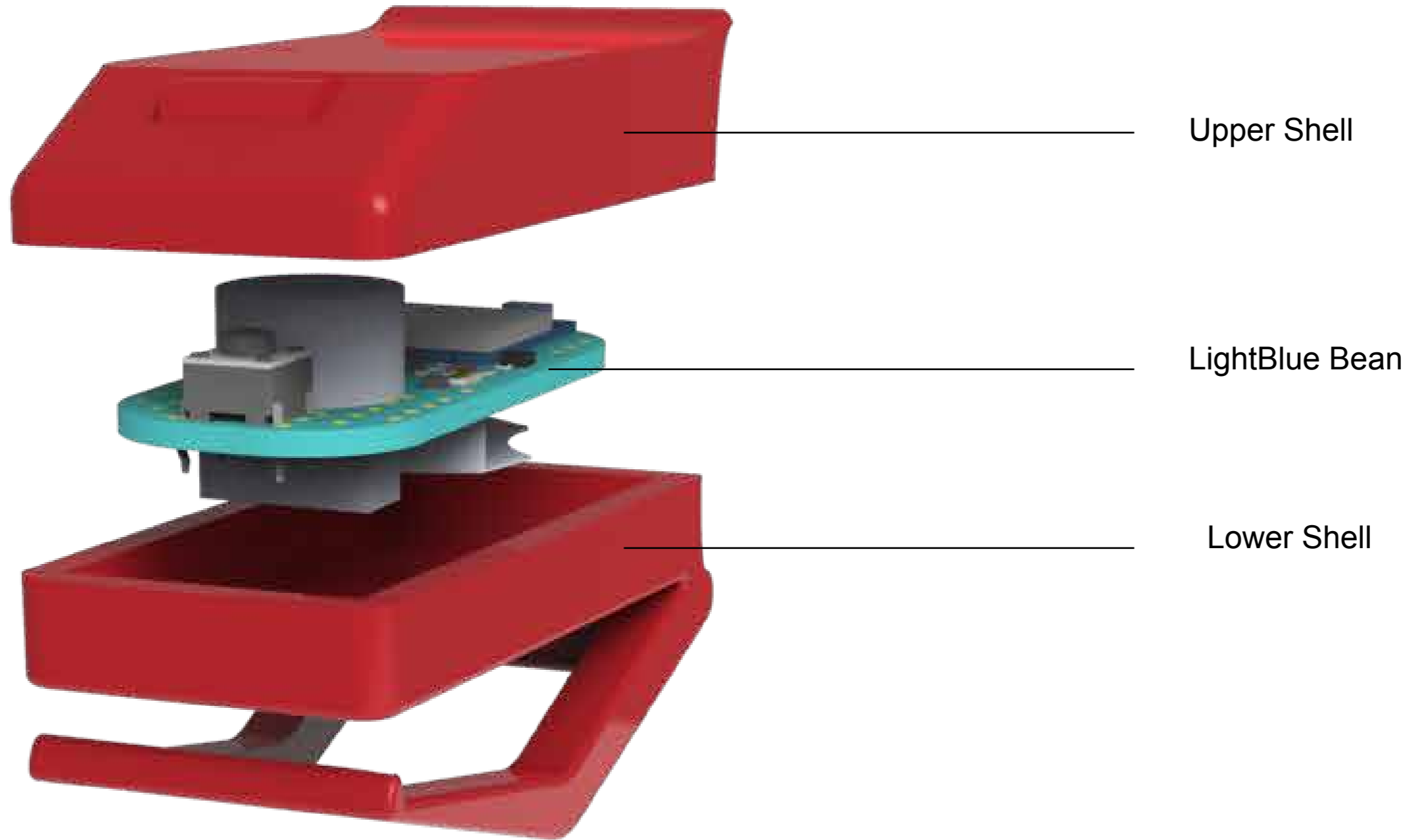
Personal Health Amigo!

Peter Seid, Alvin Su, Jialiang Liu, Ming Chen

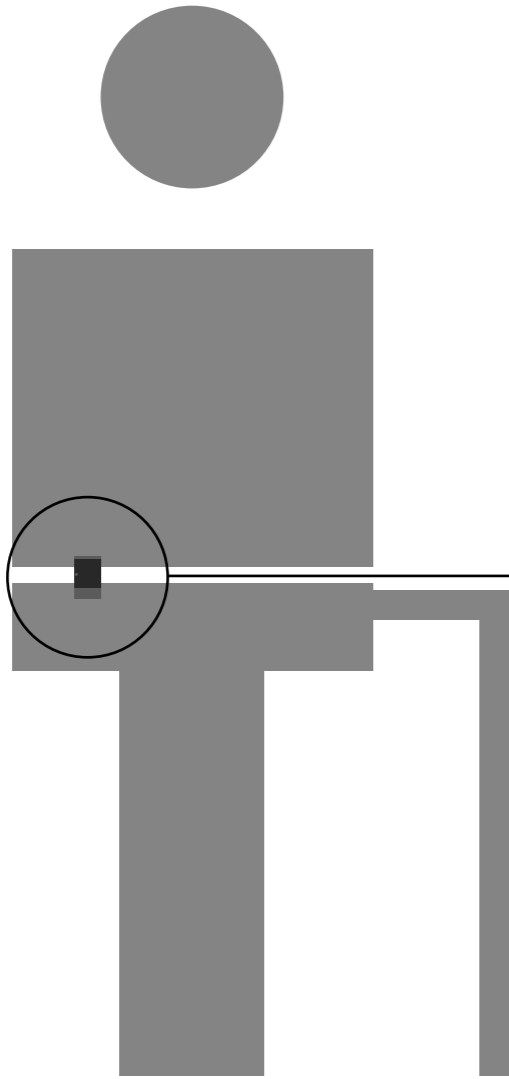
Interface



Exploded View

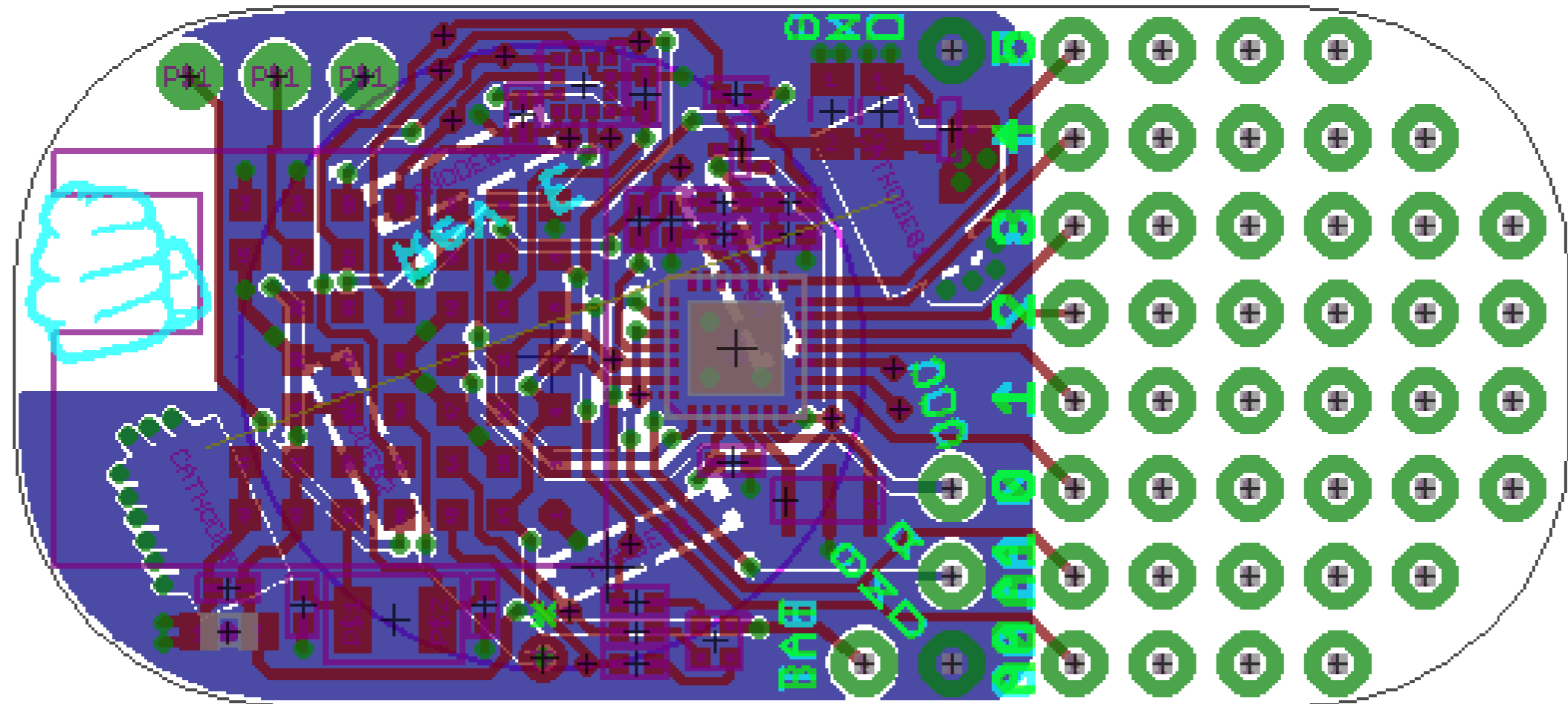


Function

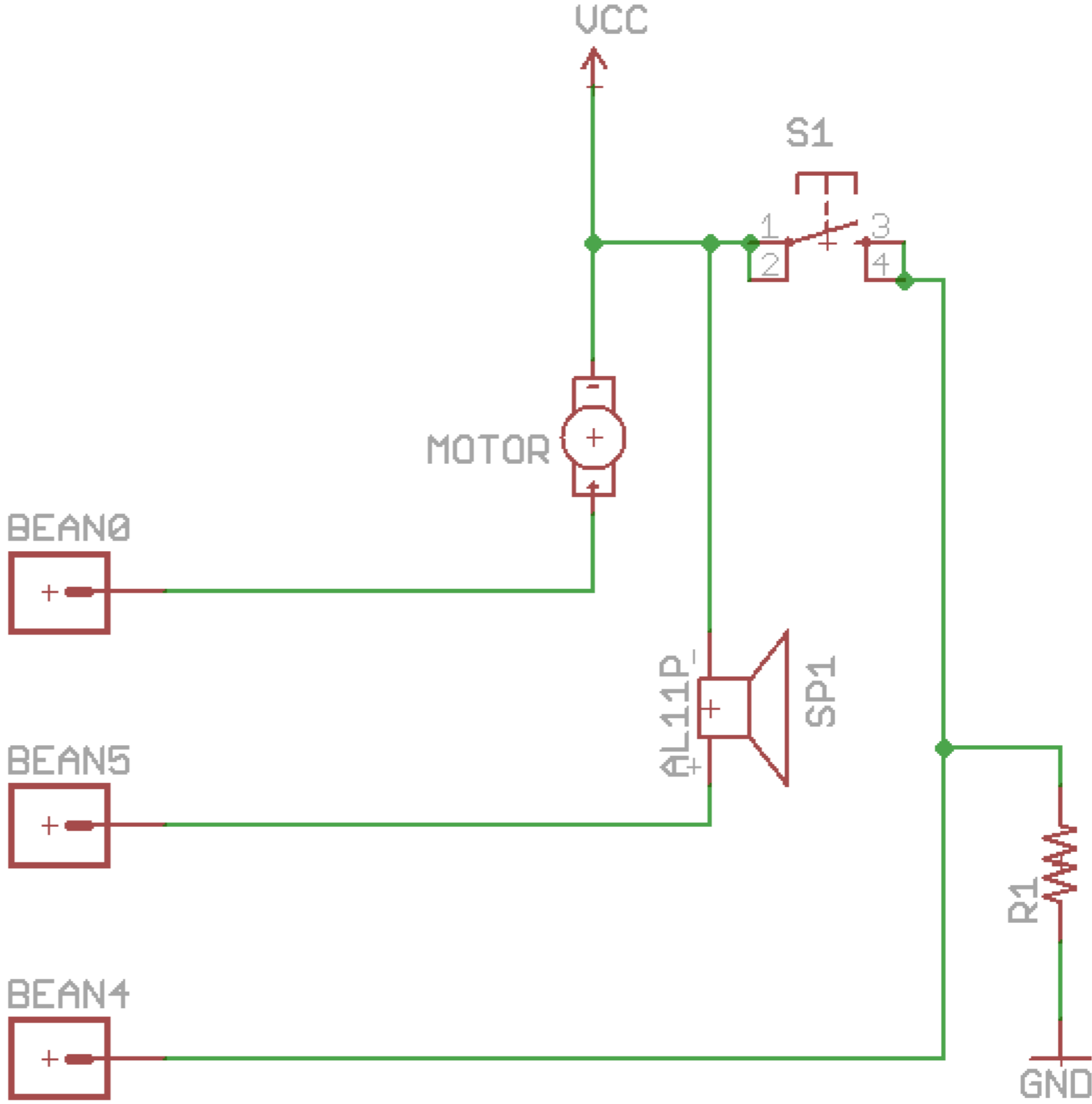


Tracking the user's movement, Meep will remind the user to start moving once an hour

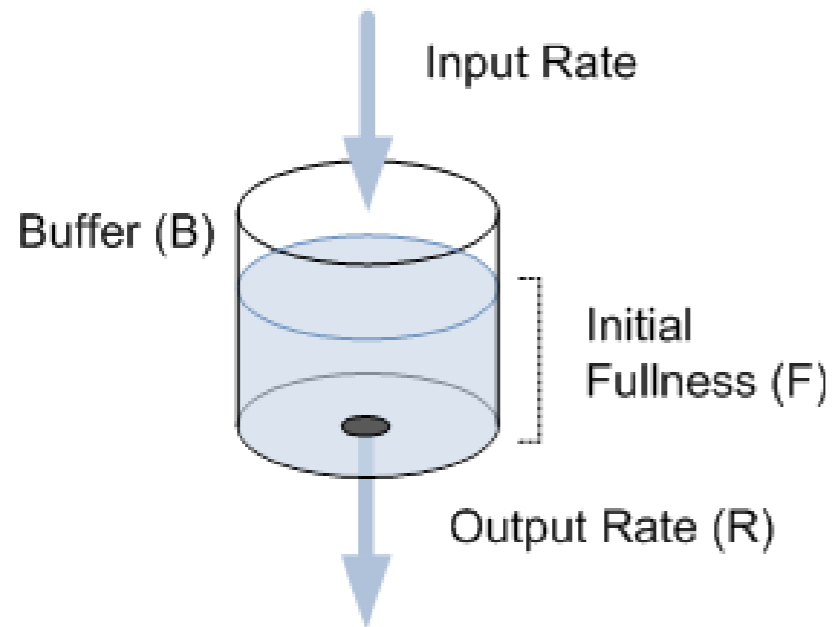
LightBlue Bean



Schematic



Code



```
// Get the current acceleration with a conversion of 3.91x10-3 g/unit.
AccelerationReading currentAccel = Bean.getAcceleration();

// Find the difference between the current acceleration and that of 200ms ago.
int accelDifference = getAccelDifference(previousAccel, currentAccel);
// Update previousAccel for the next loop.
previousAccel = currentAccel;

// Check if the Bean has been moved beyond our threshold.
if(accelDifference > THRESHOLD){

    // Blink the LED
    if (bucket < bucketMax) {
        bucket = bucket + accelDifference;
    }
}
else{
    if (bucket > leak) {
        bucket = bucket - leak;
    }
    Serial.println(bucket);
    delay(200);
    Bean.sleep(200);
}

if (bucket <= bucketMin) {
    digitalWrite(0, LOW);
    digitalWrite(5, LOW);
}
else {
    digitalWrite(0, HIGH);
    digitalWrite(5, HIGH);
}
```



Thank You