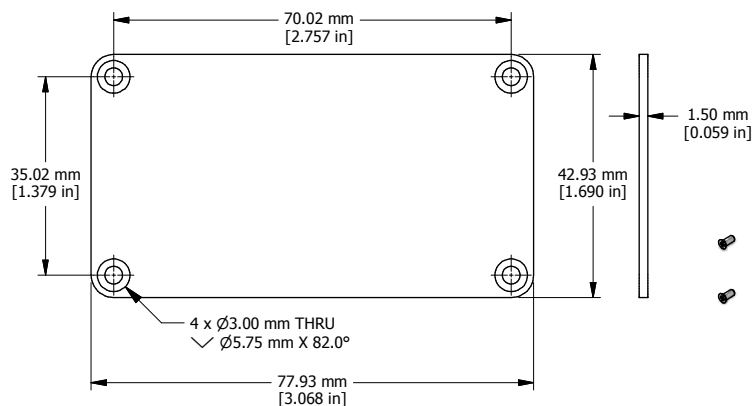
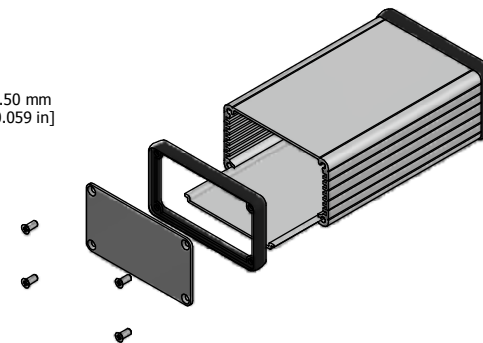


EXTRUSION

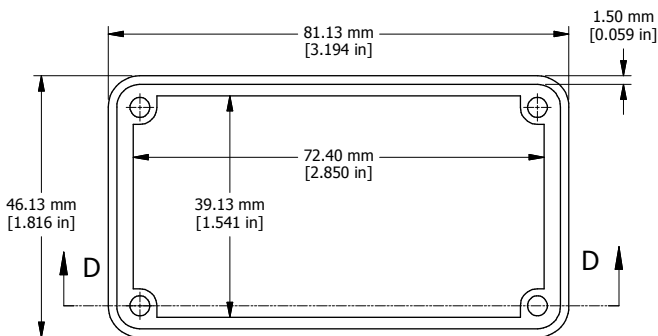
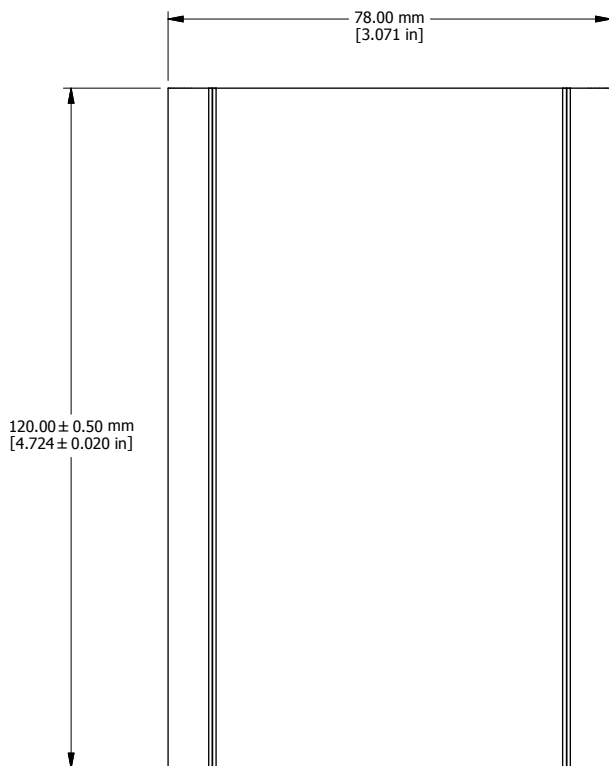


END PLATE

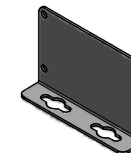
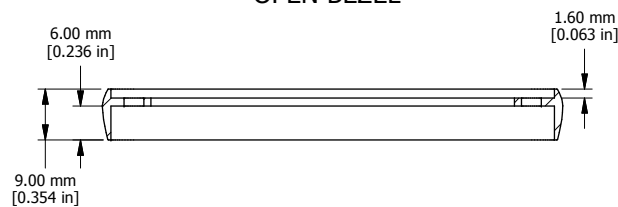


EXPLODED ASSEMBLY VIEW

EXTRUSION DESIGNED FOR 75MM WIDE PC BOARD



OPEN BEZEL



OPTIONAL FLANGE END PANELS 145KF

Enclosures can be Factory Modified ( Milling, Drilling, Printing etc. )  
 Solid models of this enclosure available in STEP or IGES.  
 Contact Factory [mjm@hammondmgf.com](mailto:mjm@hammondmgf.com)

NOTE

Purchased assembly includes box, plastic bezels, end panels, #6 Taptight screws and self adhesive rubber feet.  
 Box made from Extruded Aluminum 6063.  
 Bezels made with polycarbonate.

1455K1201

PART NUMBERS

Clear Anodized	1455K1201
Black Anodized	1455K1201BK
Blue Anodized	1455K1201BU
Red Anodized	1455K1201RD

ACCESSORIES

See website for accessories.

